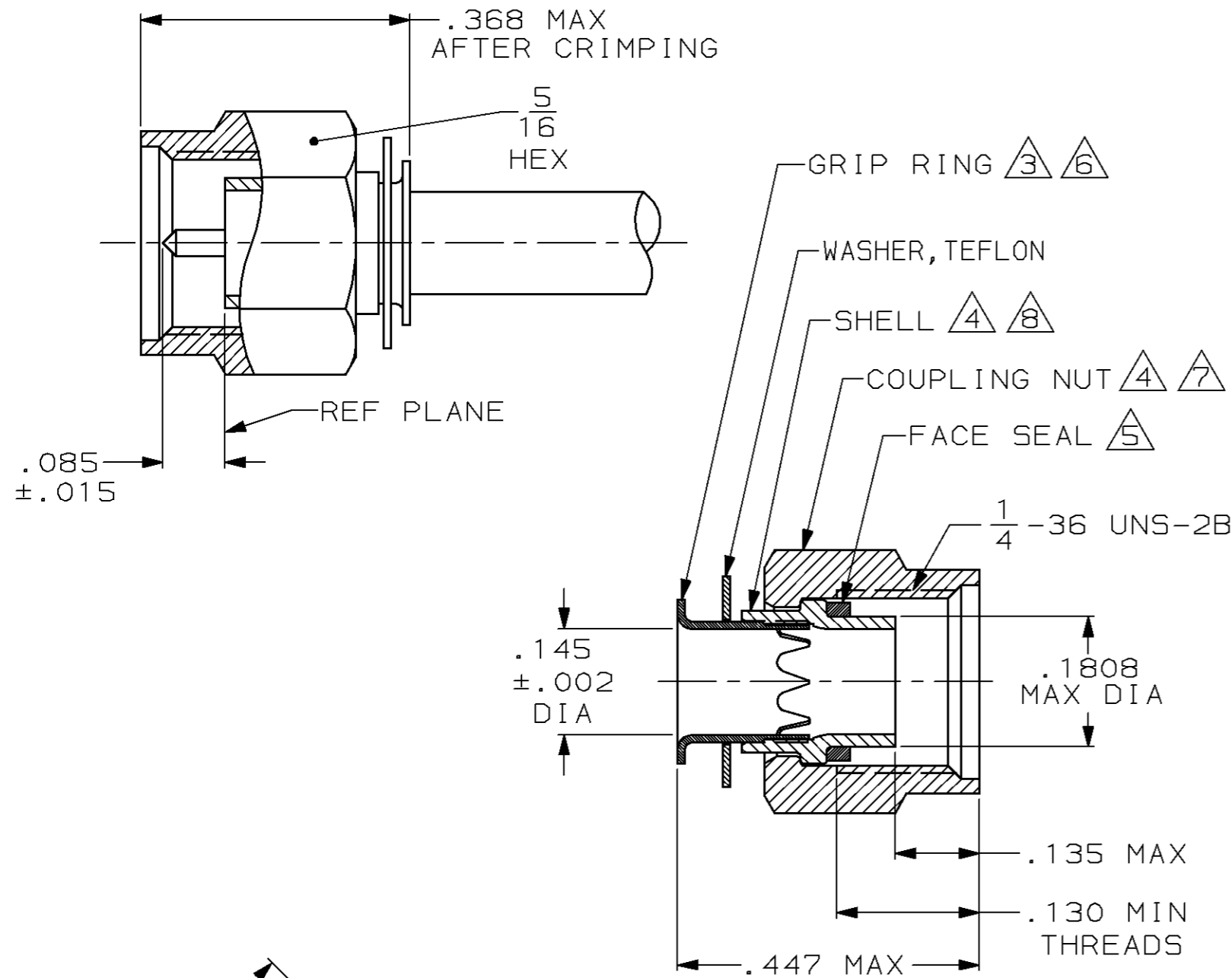
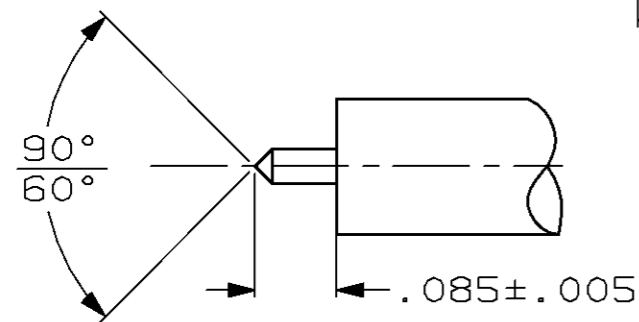


THIS DRAWING IS UNPUBLISHED. RELEASED FOR PUBLICATION, 19
 © COPYRIGHT 19 BY AMP INCORPORATED, HARRISBURG, PA. ALL INTERNATIONAL RIGHTS RESERVED. AMP PRODUCTS MAY BE COVERED BY U.S. AND FOREIGN PATENTS AND/OR PATENTS PENDING.

LOC	DIST	P	F	REVISIONS				
				ZONE	LTR	DESCRIPTION	DATE	APPROVED
AJ	16				E	REV PER 0630-0431-98	28OCT98	MO



1. FOR USE WITH: RG-402/U, .141 SEMI RIGID CABLE
2. SEE I.S. 6788
- ③ BRASS PER ASTM-B-36
- ④ STAINLESS STEEL PER ASTM-A-582
- ⑤ SILICONE RUBBER PER ZZ-R-765
- ⑥ NICKEL PL PER QQ-N-290
- ⑦ PASSIVATION PER ASTM A967
8. 00779 M39012/92-3301
9. .500 MIN LENGTH OF STRAIGHT CABLE REQUIRED TO APPLY THE CONNECTOR



RECOMMENDED STRIP LENGTH

228635-1
PART NO

UNLESS OTHERWISE SPECIFIED DIMENSIONS ARE IN INCHES TOLERANCES ON: 2 PL DEC ± _____ 3 PL DEC ± _____ ANGLES ± _____	DR 11-30-87 M.SNEED	AMP INCORPORATED Harrisburg, Pa. 17105	
	CHK 1-4-88 D.HEIDE		
MATERIAL ③ THRU ⑥	APPD 1-4-88 D.HEIDE	NAME PLUG, RF, SERIES SMA	
FINISH ⑦ ⑧	APPD 1-4-88 M.SNEED	SIZE B	FSCM NO 00779
	PRODUCT SPEC 108-12055	DRAWING NO 228635-1	
	APPLICATION SPEC	SCALE 5:1	SHEET 1 OF 1
	WEIGHT .063 OZ		