

**PERFORMANCE SPECIFICATIONS:**

DESCRIPTION	SYM	MIN	TYP	MAX	UNITS
INPUT VOLTAGE	V <sub>IN</sub>	10.8	12.0	13.2	V DC
INPUT CURRENT	I <sub>IN</sub>	---	720	---	MA DC
OUTPUT VOLTAGE	V <sub>L</sub>	---	1000	---	V RMS
OUTPUT CURRENT	I <sub>L</sub>	6.0	7.0	8.0	MA RMS
OSC. FREQUENCY	F <sub>o</sub>	45.0	55.0	65.0	K HZ
PWM FREQUENCY	F <sub>pw</sub>	435	455	475	HZ

TESTED WITH 2 EACH 3MM X 240MM LAMPS, AT 25°C, V<sub>IN</sub>= 12.0V ± 0.1V.

**OPERATING CHARACTERISTICS:**

INPUT VOLTAGE RANGE: 10.8V DC TO 13.2V DC  
 NOMINAL INPUT POWER: 10.0 WATTS  
 OUTPUT DIMMING RANGE (R MODE): 40% TO 100%  
 OPERATING TEMPERATURE RANGE: 0°C TO 60°  
 STORAGE TEMPERATURE RANGE: -20°C TO 70°C

**MATING CONNECTORS:**

REF.	DESCRIPTION	PART NUMBER	MFG.
CN-1	INPUT HOUSING TERMINAL	51021-0700 50079-8000	MOLEX
CN-1	INPUT HARNESS	BXC-10630	JKL
CN-2 & CN-3	OUTPUT 1 & 2 HOUSING TERMINAL	BHR-03VS-1 SBH-001T-P0.5	JST
CN-2 & CN-3	OUTPUT 1 & 2 HARNESS	BXC-10643 (2 required)	JKL

**CONTROL FUNCTIONS:**

CNT (INPUT PIN 3) IS USED AS AN INHIBIT FUNCTION, "GND" OR "OPEN" EQUALS OFF. "+V" EQUALS ON.

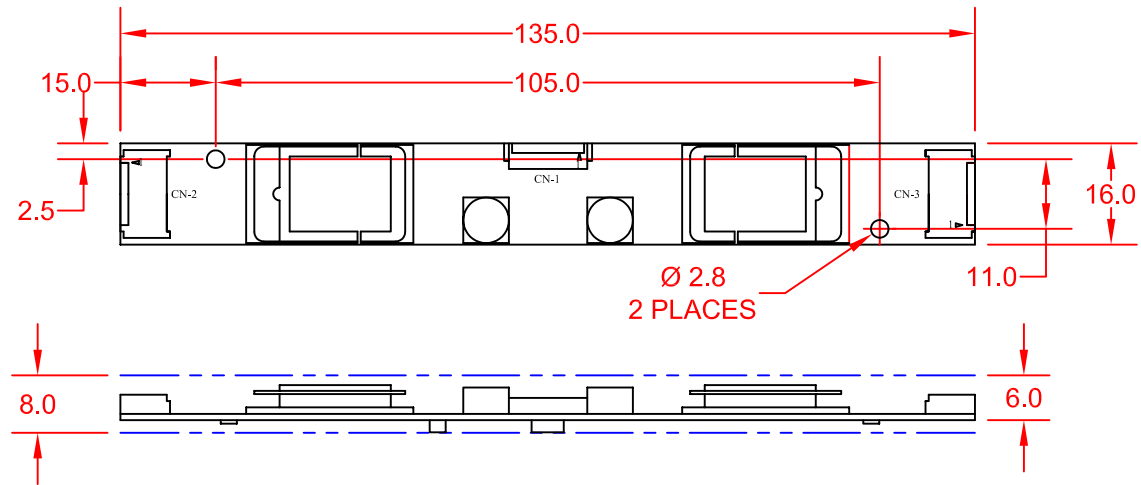
R MODE DIMMING: VR1 AND VR2 (INPUT PINS 1 AND 2) ARE USED TO PROVIDE, THE DIMMING FUNCTION, "0" OHMS EQUALS 100% LIGHT OUTPUT, "10K" OHMS EQUALS 40% LIGHT OUTPUT.

NOTE: THE SWITCH AND POTENTIOMETER SHOWN ON THE WIRING DIAGRAM ARE NOT A PART OF THE BXA-12613-7M INVERTER. THESE PARTS ARE AVAILABLE FROM MOST ELECTRONIC PARTS DISTRIBUTORS.

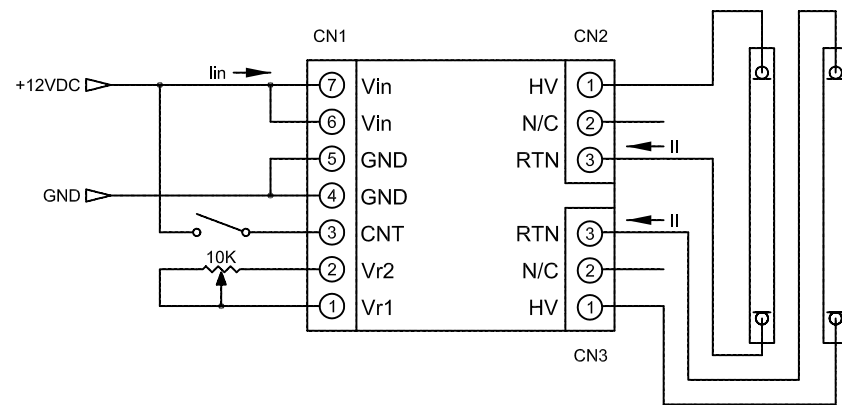
**ABSOLUTE MAXIMUM RATINGS:**

MAXIMUM INPUT VOLTAGE: 16.0 V<sub>DC</sub>  
 MAXIMUM RELATIVE HUMIDITY: 90%

REV.	DESCRIPTION/ECO NO.	DATE
	ENGR. RELEASE TO CAD	7/2/04



**WIRING DIAGRAM:**



<p>METRIC</p>	DIMENSIONS ARE IN MILLIMETERS TOLERANCE UNLESS OTHERWISE SPECIFIED 1 PL +/- REF. 2 PL +/- ANGLE +/- 0	<h1>JKL COMPONENTS CORPORATION</h1>				
	THIRD ANGLE PROJECTION	TITLE 12V DC INPUT, DUAL OUTPUT, DIMMING CCFL INVERTER	SIZE A	FSCM NO. 55335	DRAWING NO.	BXA-12613-7M
DRAWN BY L. WENGSTROM	APPV'D BY J.K.	DATE 7/2/04	SCALE NONE	RELEASED DATE 7/2/04	REVISION DATE	REV. NO. SHEET 1 OF 1
- CAD DRAWING - MANUAL REVISIONS NOT PERMITTED						