
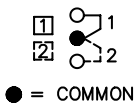
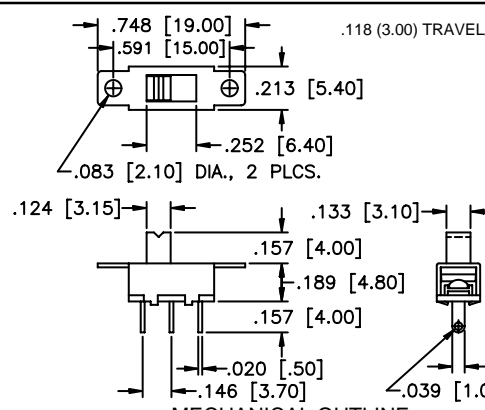
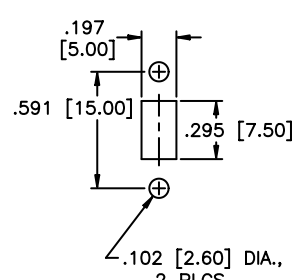

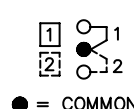
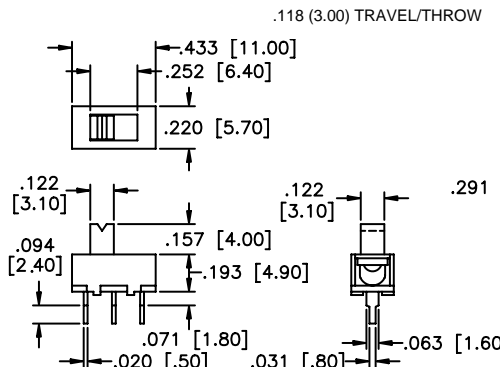
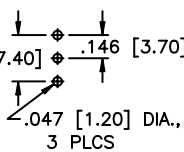


SLG Series

Miniature Slide Switches

SPECIFICATIONS SUBJECT TO CHANGE WITHOUT NOTICE

SPECIFICATIONS	FEATURES
<p>Contact ratings: 300 mA at 125 VAC or 30 VDC Initial contact resistance: 20 milliohms max. Insulation resistance: 100 megohms min. at 500 VDC Dielectric strength: 500 volts RMS for 1 minute Electrical life: 10,000 cycles min. Operating temperature range: -20°C to +85°C Actuation force: 200g ± 75g Solder heat resistance: 260°C max. for 3 seconds Solvent washing permissible</p>	<ul style="list-style-type: none"> Wash-through open frame construction. Panel and p.c. mounting models. Positive spring loaded ball detent mechanism.
MATERIALS	
<p>Contacts & terminals: Silver plated Frame: Zinc plated steel Actuator: Thermoplastic Base: Phenolic laminated sheet</p>	

MODEL NO. SLG12004	1P2T	 <div style="display: flex; justify-content: space-around; align-items: center;"> <div style="text-align: center;">  <p>● = COMMON</p> </div> <div style="text-align: center;">  <p>MECHANICAL OUTLINE</p> </div> <div style="text-align: center;">  <p>PANEL CUTOUT</p> </div> </div> <p style="text-align: center;">SCHEMATIC</p>
MODEL NO. SLG12014	1P2T	 <p style="text-align: center;">VERTICAL MOUNTING</p> <div style="display: flex; justify-content: space-around; align-items: center;"> <div style="text-align: center;">  <p>● = COMMON</p> </div> <div style="text-align: center;">  <p>MECHANICAL OUTLINE</p> </div> <div style="text-align: center;">  <p>P.C. BOARD LAYOUT</p> </div> </div> <p style="text-align: center;">SCHEMATIC</p>