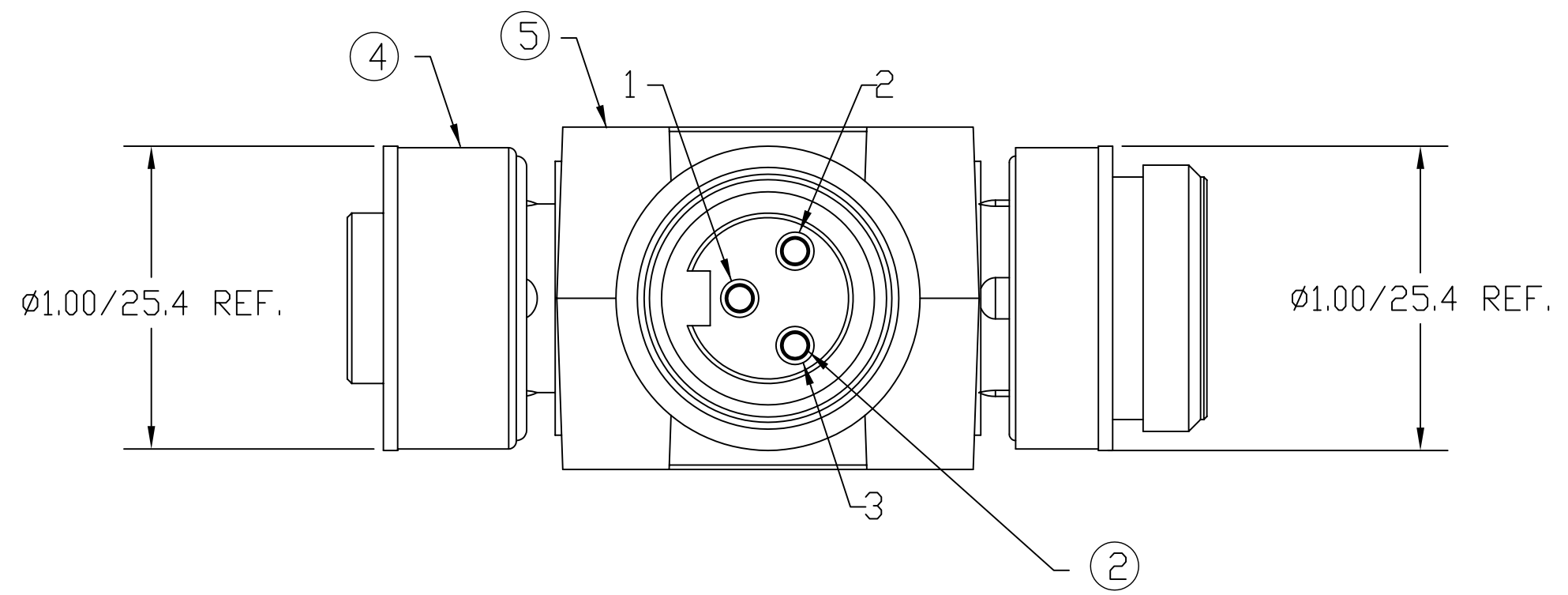
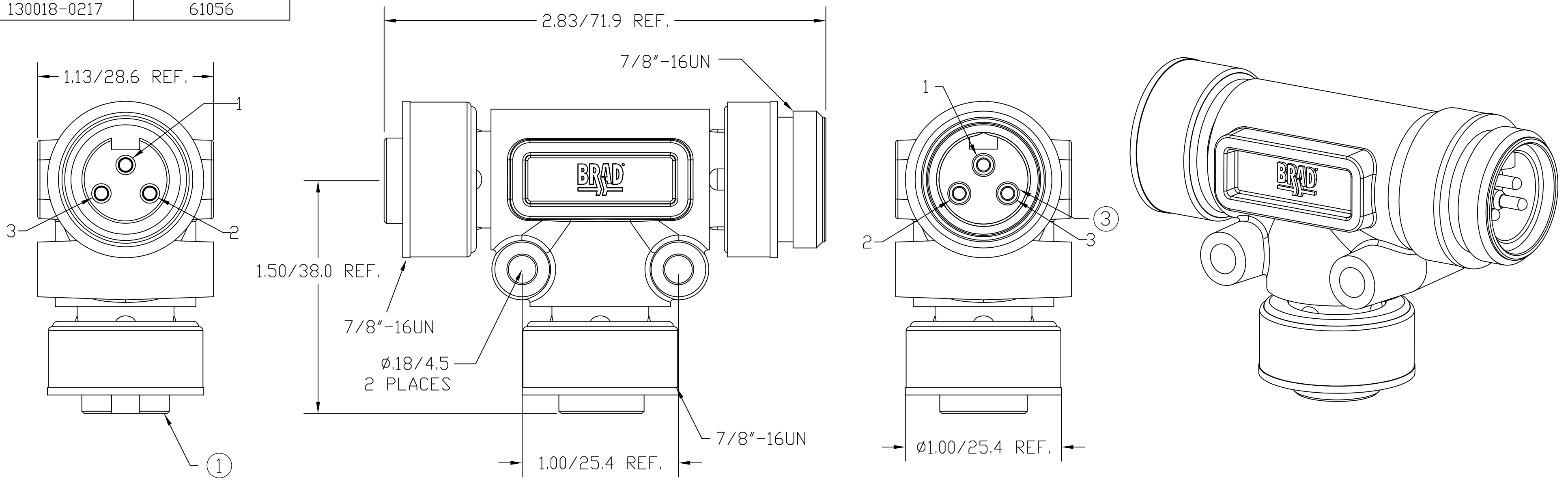
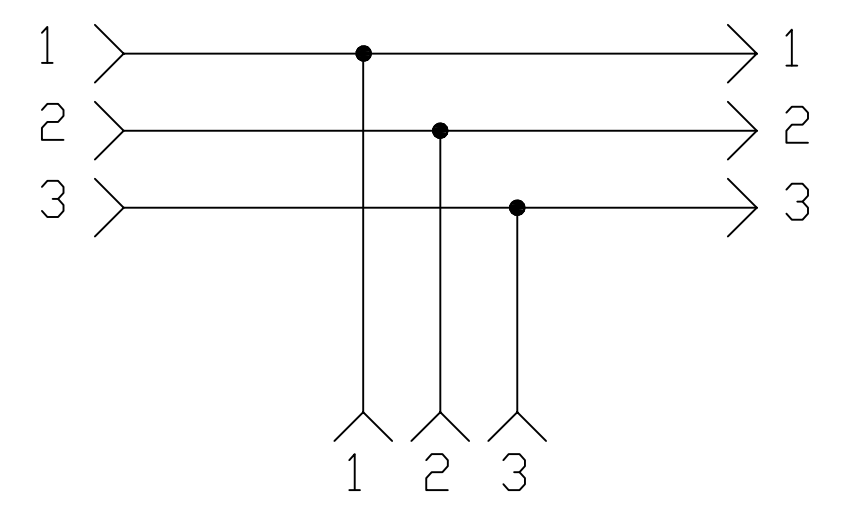


MATERIAL NUMBER	OLD PART NUMBER
130018-0217	61056



SCHEMATIC



VOLTAGE RATING	600 VAC/VDC
AMPERAGE RATING	10 AMPS
PROTECTION	IP67
OPERATING TEMPERATURE	-20°C TO 80°C
UL CERTIFICATIONS	UL RECOGNIZED, FILE NO. E152210
CSA CERTIFICATIONS	CSA CERTIFIED, FILE NO. LR6837

ITEM	COMPONENT	MATERIAL	FINISH
1	INSERT	TPE	YELLOW
2	CONTACT SOCKET	COPPER ALLOY	GOLD OVER NICKEL
3	CONTACT PIN	COPPER ALLOY	GOLD OVER NICKEL
4	COUPLING NUT	ZINC DIE CAST	BLACK E-COATED
5	OVERMOLD	TPE	YELLOW

RLSO DRAWING EC NO: WNA2010-0430 DRWN: BWOODMAN2010/01/11 CH'KD: LHARTMAN APPR: JFMURPHY 2010/01/15	QUALITY SYMBOL	DESCRIPTION
	▽=0	
	∇=0	
	REV	

GENERAL TOLERANCES (UNLESS SPECIFIED)	
	mm INCH
4 PLACES	±--- ±---
3 PLACES	±--- ±.005
2 PLACES	±0.13 ±.010
1 PLACE	±0.25 ±.020
ANGULAR ±1/2°	
DRAFT WHERE APPLICABLE MUST REMAIN WITHIN DIMENSIONS	

DIMENSION STYLE	
IN/MM	
DRAWN BY	DATE
---	----
CHECKED BY	DATE
LHARTMAN	2010/01/11
APPROVED BY	DATE
JFMURPHY	2010/01/15
MATERIAL NO.	
1300350057	
SIZE	
C	

SCALE	DESIGN UNITS	THIRD ANGLE PROJECTION
1:1	INCH	
<b>MINI-CHANGE 3-POLE TEE PARALLEL WIRING</b>		
<b>MOLEX INCORPORATED</b>		
MATERIAL NO.	DOCUMENT NO.	SHEET NO.
1300350057	SD-130018-006	1 OF 1
THIS DRAWING CONTAINS INFORMATION THAT IS PROPRIETARY TO MOLEX INCORPORATED AND SHOULD NOT BE USED WITHOUT WRITTEN PERMISSION		