

RS
RS 32IO 3W L H Z**Weidmüller Interface GmbH & Co. KG**
Klingenbergstraße 16
D-32758 Detmold
Germany
Fon: +49 5231 14-0
Fax: +49 5231 14-292083
www.weidmueller.com

The digital direct input/output interfaces are supplied with flat cable connectors to facilitate connection. They are available in tension clamp or clamping yoke connection, with elements such as fuses, disconnectors or LEDs.

General ordering data

| | |
|------------|--|
| Type | RS 32IO 3W L H Z |
| Order No. | 9447970000 |
| Version | Interface, RS, LED, 3-wire, Tension clamp connection |
| GTIN (EAN) | 4032248253265 |
| Qty. | 1 pc(s). |

RS RS 32IO 3W L H Z

Weidmüller Interface GmbH & Co. KG
 Klingenbergstraße 16
 D-32758 Detmold
 Germany
 Fon: +49 5231 14-0
 Fax: +49 5231 14-292083
 www.weidmueller.com

Technical data

Dimensions and weights

| | | | |
|--------|--------|------------|-------|
| Length | 221 mm | Width | 87 mm |
| Height | 72 mm | Net weight | 373 g |

Temperatures

| | | | |
|-----------------------|-------------|---------------------|--------------|
| Operating temperature | -25...+50°C | Storage temperature | -40...+60 °C |
|-----------------------|-------------|---------------------|--------------|

General data

| | | | |
|--------------------------------|--------|----------------------------------|--------|
| LED status display per channel | green | Disconnection per channel | Yes |
| Fuse per channel | No | LED status of the supply voltage | yellow |
| Power supply fuse | 3.15 A | Common pole polarity | Yes |

Connection data

| | | | |
|--------------------------------|---------------------------|----------------------------|---|
| Connection to PLC | HE 10 connector - 20 pole | Connection on control side | 2x Plug-in connector acc. IEC 603-1 / DIN 41651 |
| Number of poles (control side) | 20-pole plug | Connection (field side) | LMNZF 5.08mm |
| Wiring system | 3-wire | | |

Ratings data

| | | | |
|-------------------------|---------------|--------------------------|-----|
| Operating voltage | 24 V DC ± 10% | Max. current per channel | 1 A |
| Total operating current | 2 A | | |

Insulation coordination (EN50178)

| | | | |
|-------------------------|--------------|--------------------------|-----------|
| According to | DIN EN 50178 | Rated insulation voltage | < 50 V AC |
| Surge voltage category | III | Pollution severity level | 2 |
| Insulation test voltage | 0.35 kVAC | | |

Connection field

| | | | |
|--------------------------------------|--------------------------|--------------------------------------|----------------------|
| Type of connection | Tension clamp connection | Clamping range, min. | 0.14 mm ² |
| Clamping range, max. | 1.5 mm ² | Solid, min. H05(07) V-U | 0.5 mm ² |
| Solid, max. H05(07) V-U | 1.5 mm ² | Flexible, min. H05(07) V-K | 0.5 mm ² |
| Flexible, max. H05(07) V-K | 1.5 mm ² | Flexible with sleeve, max. | 1.5 mm ² |
| Min. wire cross-section, AWG [field] | AWG 26 | Max. wire cross-section, AWG [field] | AWG 14 |
| Stripping length | 7 mm | | |

Supply connection

| | | | |
|------------------------------|--------------------------|------------------------------|----------------------|
| Type of connection | Tension clamp connection | Clamping range, min. | 0.14 mm ² |
| Clamping range, max. | 1.5 mm ² | Solid, min. H05(07) V-U | 0.5 mm ² |
| Solid, max. H05(07) V-U | 1.5 mm ² | Flexible, min. H05(07) V-K | 0.5 mm ² |
| Flexible, max. H05(07) V-K | 1.5 mm ² | Flexible with sleeve, max. | 1.5 mm ² |
| Wire cross-section, min. AWG | AWG 26 | Wire cross-section, max. AWG | AWG 14 |
| Stripping length | 7 mm | | |

Classifications

| | | | |
|------------|-------------|------------|-------------|
| ETIM 3.0 | EC001423 | UNSPSC | 30-21-18-01 |
| eClass 5.1 | 27-24-22-08 | eClass 6.2 | 27-24-22-08 |
| eClass 7.1 | 27-24-22-08 | | |

Data sheet

RS
RS 32IO 3W L H Z

Weidmüller Interface GmbH & Co. KG
Klingenbergstraße 16
D-32758 Detmold
Germany
Fon: +49 5231 14-0
Fax: +49 5231 14-292083
www.weidmueller.com

Technical data

Approvals

Approvals



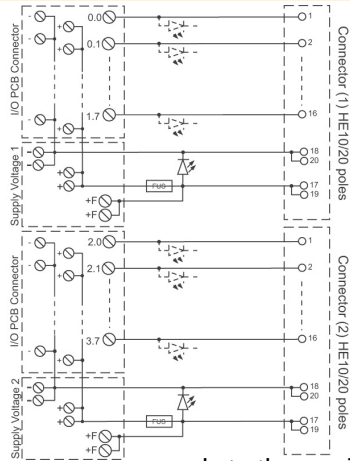
ROHS

Conform

**RS
RS 32IO 3W L H Z**

Weidmüller Interface GmbH & Co. KG
 Klingenbergstraße 16
 D-32758 Detmold
 Germany
 Fon: +49 5231 14-0
 Fax: +49 5231 14-292083
 www.weidmueller.com

Drawings



The wiring diagram corresponds to the version with LEDs.