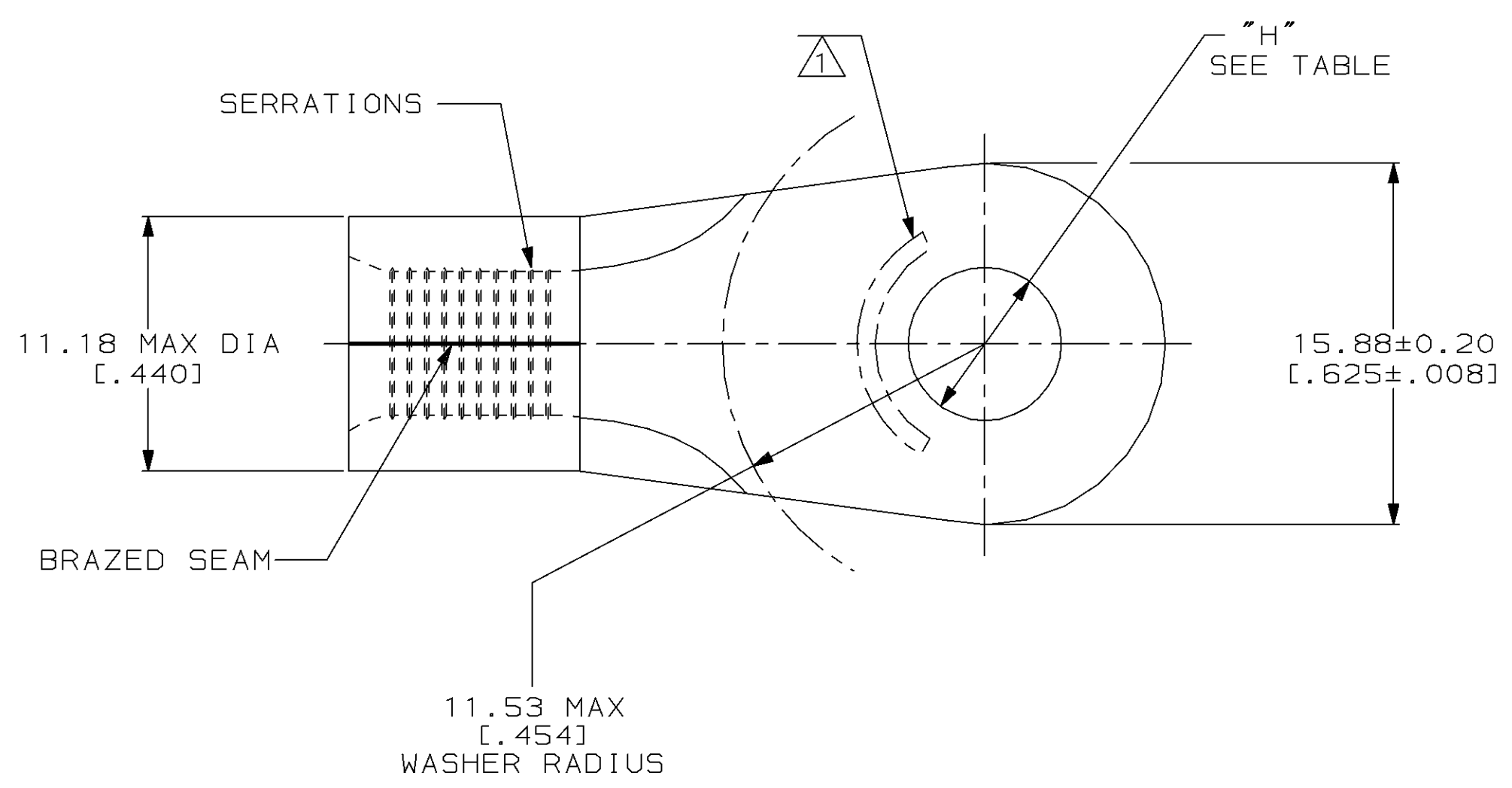


THIS DRAWING IS UNPUBLISHED. RELEASED FOR PUBLICATION, 19 .  
 © COPYRIGHT 19 BY AMP INCORPORATED. ALL INTERNATIONAL RIGHTS RESERVED.

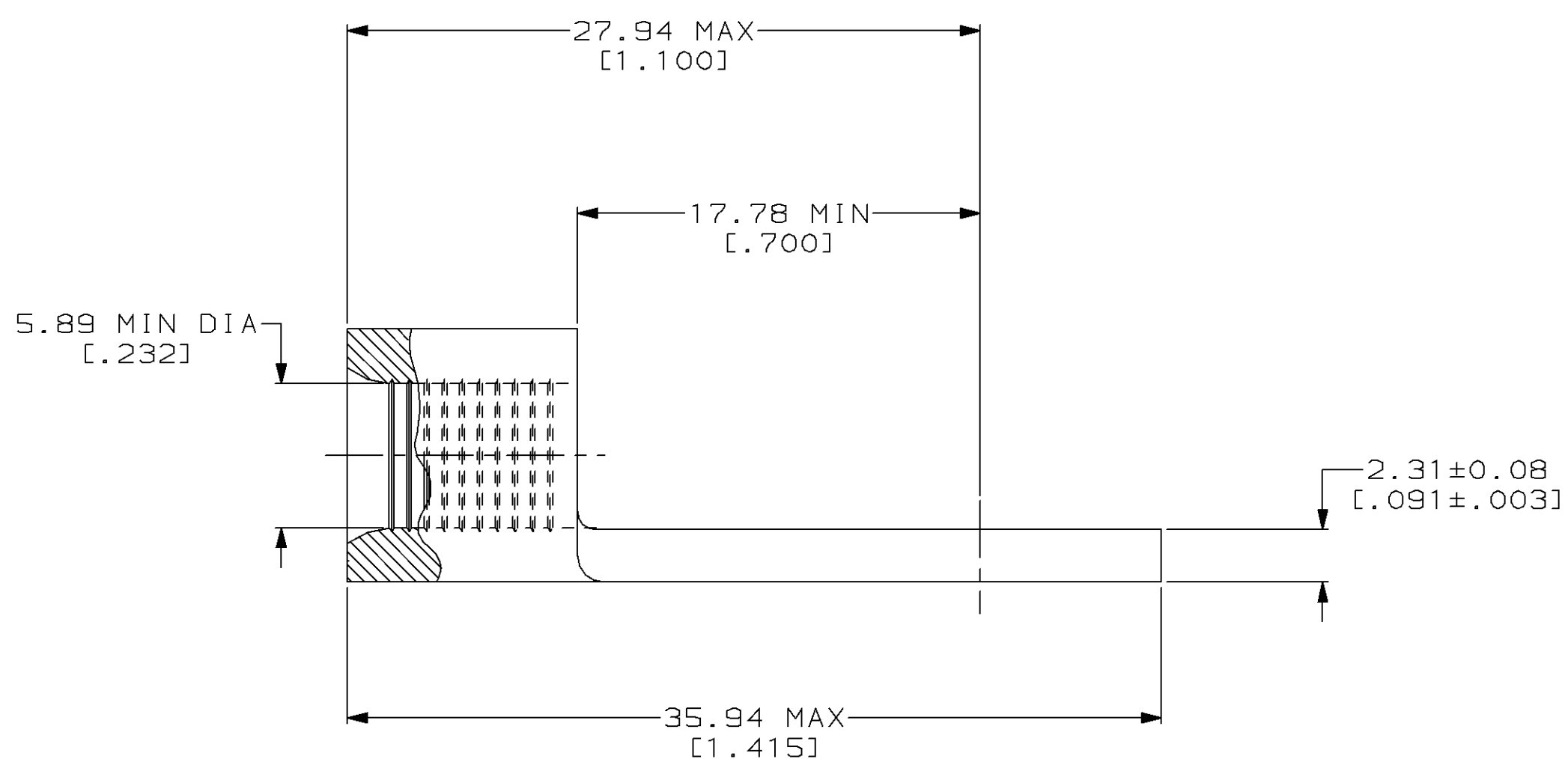
LOC		DIST		REVISIONS				DATE	APPD
P	F	ZONE	LTR	DESCRIPTION					
G	14			C	REV & REDRAWN PER 0720-0040-93		3-24-93	APP DAP	

**METRIC**  
 DIMENSIONS LISTED IN mm [ INCHES ]



<b>AMP</b> WIRE RANGE	<b>UL</b> Listed
6HD AWG SOLID OR STRANDED	6HD AWG STRANDED
<b>SR</b> LR7189 Certified	MILITARY P/N AND CLASS
6HD AWG SOLID OR STRANDED	NOT APPLICABLE

① STAMP AMP 6HDW\* APPROX AS SHOWN



3/8	9.91 ± 0.13 DIA [.390 ± .005]	1-331417-1
1/4	6.73 ± 0.13 DIA [.265 ± .005]	331417
STUD SIZE	"H"	PART NO

**AMP INCORPORATED**  
**CUSTOMER SERVICE SYSTEMS**

FOR ADDITIONAL PRODUCT INFORMATION OR COPIES OF DRAWINGS AND TECHNICAL DOCUMENTS  
 PRODUCT INFORMATION CENTER  
 1-800-522-6752

FOR APPLICATION TOOLING INFORMATION  
 TOOLING ASSISTANCE CENTER  
 1-800-722-1111

FOR ORDER ENTRY  
 1-800-526-5142

MAX RECOMMENDED OPERATING TEMPERATURE:  
 170°C MAX

VOLTAGE RATING:  
 NOT APPLICABLE

WIRE CROSS SECTIONAL AREA RANGE:  
 10.5-16.8MM<sup>2</sup> [20,800-33,100] CIR MILS  
 SOLID OR STRANDED

THIS DRAWING IS A CONTROLLED DOCUMENT FOR AMP INCORPORATED. IT IS SUBJECT TO CHANGE AND THE CONTROLLING ENGINEERING ORGANIZATION SHOULD BE CONTACTED FOR THE LATEST REVISION.

DO NOT SCALE PRINT. UNLESS SPECIFIED DIMENSIONS IN mm [INCHES] - TOLERANCES ON:	DR 3-24-93 TA BRINKMAN
2 PLC DEC ± -	CHK 3-24-93 DA PATTERSON
3 PLC DEC ± -	APPD 3-24-93 DE MILLER
ANGLES ± -	APPD 3-24-93 JL MECKLEY
MATERIAL COPPER PER ASTM B-152 ANNEALED	PRODUCT SPEC -
FINISH TIN PLATE 0.00254 [0.00100] MIN THK PER MIL-T-10727	APPLICATION SPEC -
	WEIGHT -

<b>AMP</b> AMP Incorporated Harrisburg, PA 17105-3608		
NAME TERMINAL, RING TONGUE, HEAVY DUTY, SOLISTRAND™		
SIZE	CAGE CODE	DRAWING NO
③	00779	③=331417
SCALE	4:1	SHEET 1 OF 1