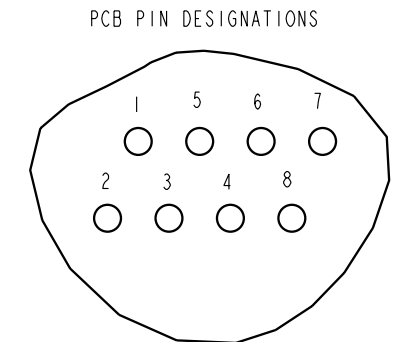
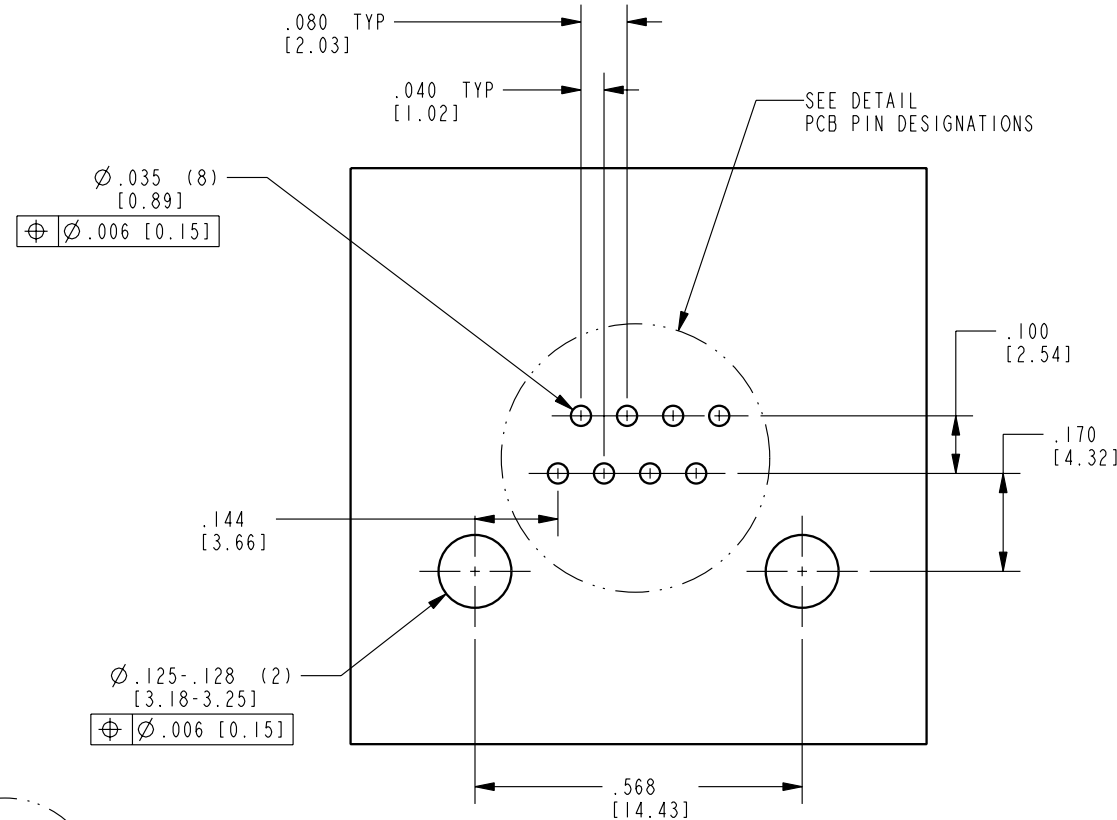
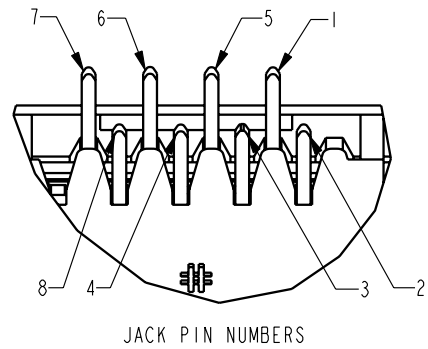
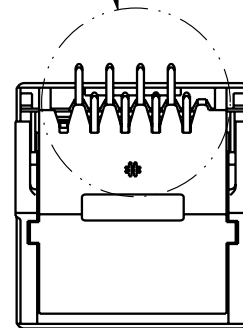
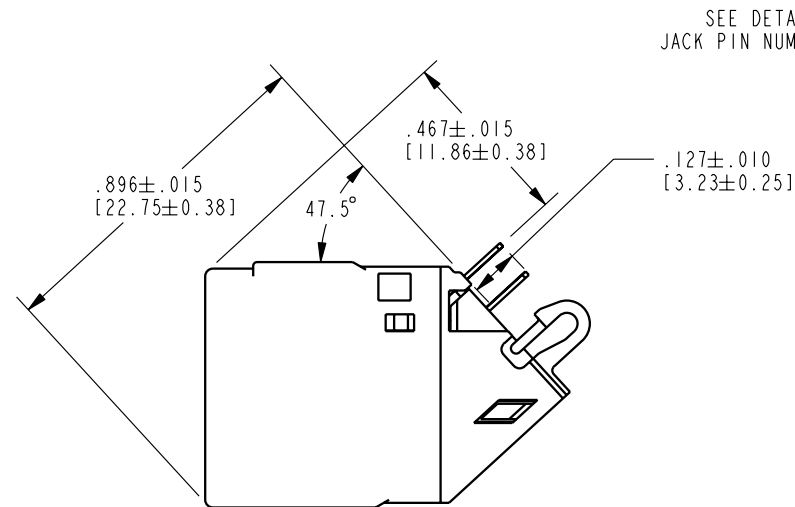
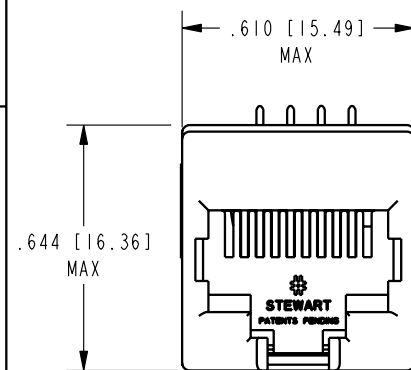


DATE	REV.	ECN	APP'D BY
10-9-06	B2	7791	TRM
9-26-07	C0	8241	TRM



B

B



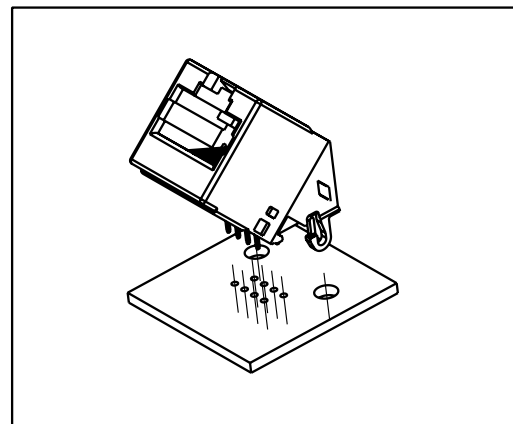
- NOTES:
- CONNECTOR MATERIALS
HOUSING: THERMOPLASTIC UL94 V-0
CONTACTS/SHIELD: COPPER ALLOY
SHIELD PLATING: NICKEL
CONTACT PLATING: SELECTIVE GOLD IN CONTACT AREA
SEE CHART FOR PART NUMBER
 - PRODUCT DESIGNED FOR CATEGORY 6 APPLICATIONS
 - TOLERANCES COMPLY WITH F.C.C. DIMENSION REQUIREMENTS
 - REFERENCE PRODUCT SPECIFICATION PR026-01

50 MICRO-INCHES [1.27um]	SS-60000-014
CONTACT PLATING IN MATING AREA	PART NUMBER

A

A

REV. 7/3/03



DO NOT SCALE DRAWING
DRAWING IS SUBJECT TO CHANGE WITHOUT NOTICE
DIMENSIONS: INCHES [METRIC]
UNLESS OTHERWISE SPECIFIED
TOLERANCES ARE ±.005 [0.13]
ANGLES ARE ±1°
SHEET NO. 1 OF 1

Bel Stewart Connector

11118 Susquehanna Trail South
Glen Rock, PA 17327-9199
(717) 235-7512 Fax: (717) 235-7954 <http://www.stewartconnector.com>

TITLE: 47.5° CATEGORY 6 UNSHIELDED JACK

THIS DRAWING AND THE SUBJECT MATTER SHOWN THEREON ARE CONFIDENTIAL AND THE PROPRIETARY PROPERTY OF BEL STEWART CONNECTOR AND SHALL NOT BE REPRODUCED, COPIED, OR USED IN ANY MANNER WITHOUT PRIOR WRITTEN CONSENT OF BEL STEWART CONNECTOR. THE SUBJECT MATTER MAY BE PATENTED OR A PATENT MAY BE PENDING.

DRN BY: JRC	DATE 7-17-03
CKD BY: DHG	DATE 7-18-03
APPD BY: JRC	DATE 7-18-03
DWG. NO. CT600015	REV. C0