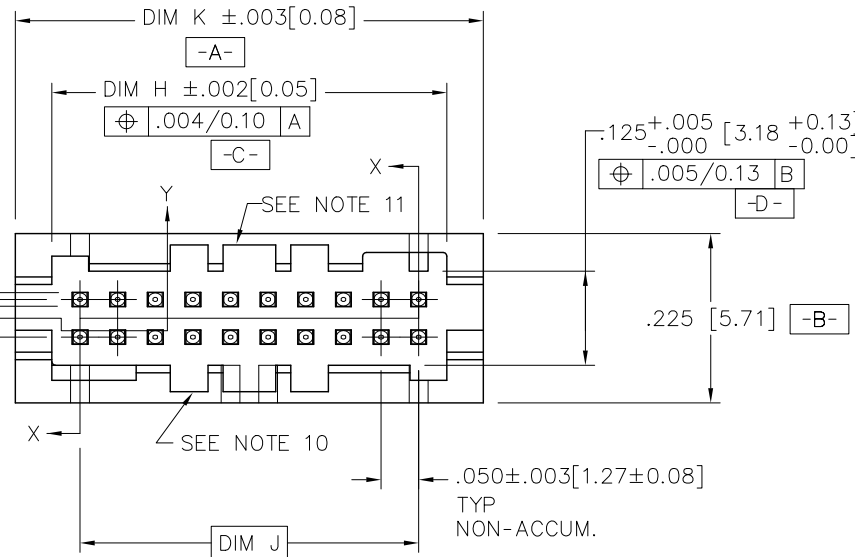


PRODUCT NUMBER  
SEE TABLE

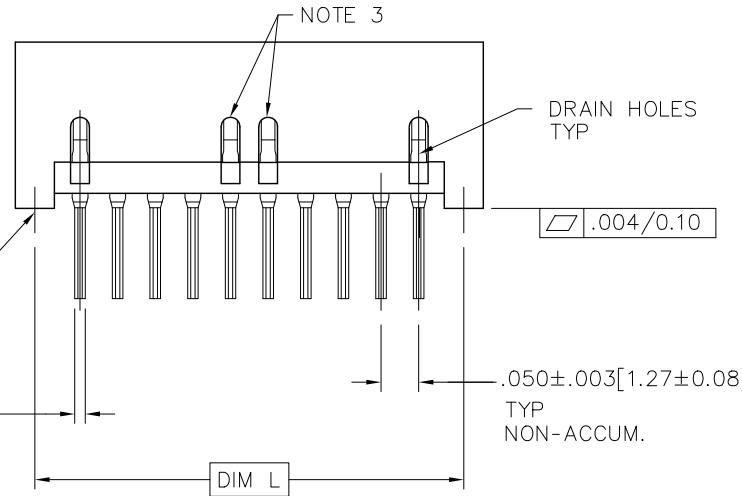
$\phi .008/0.20$  (M) C (M) D (M)  
MAX  
AT TIPS

$.050$  [1.27]



SEE SHEET 3 FOR  
LOCATOR/HOLDDOWN  
VARIATIONS

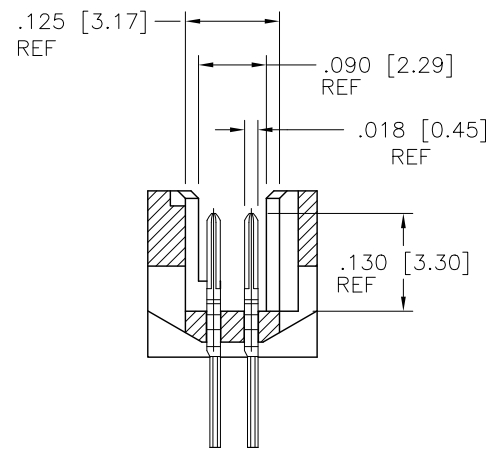
$\phi .010/0.25$  (M) A B  
AT TIPS



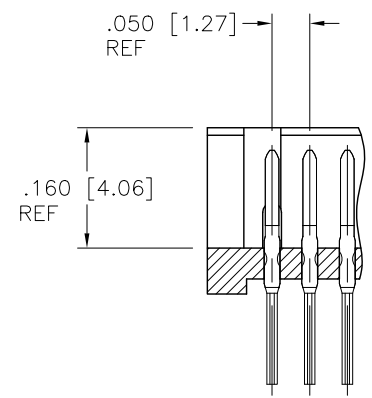
mat'l. code -				surface ISO 1302 $\checkmark$		tolerance ISO 406 ISO 1101		projection 		product family RIBCAGE	
ltr	ecn no	dr	date	tolerances unless otherwise specified						title	
L	J10329	CRG	6/6/01	angles	linear	.xx $\pm$ .01/0.3		INCH/MM		RIBCAGE III T/M VERT. HEADER ASS'Y	
M	M05-0123	MHT	6/6/05			.xxx $\pm$ .005/0.13		scale 4:1		dwg no 95776 sheet 1 of 6 size A3	
N	M06-0225	ERE	06/12/06	0 $\pm$ 2'		.xxxx $\pm$ .0020/0.051				Product Customer Drawing	
P	M06-0370	MHT	9/26/06	dr	M. CORNMAN	6/6/95					
R	M09-0058	MHT	4/04/09	engr	D. WHITING	6/6/95					
S	N10-0122	YO	5/10/10	chr	D. WHITING	6/6/95					
T	ELX-N-009749	YO	1/31/12	appd	D. WHITING	6/6/95					
sheet index	revision sheet	T	T	T	T	T	T				
		1	2	3	4	5	6				

PRODUCT NUMBER  
SEE TABLE

SIZE	DIM H	DIM J	DIM K	DIM L
2X5	.275/6.99	.200/5.08	.372/9.45	.320/8.13
2X10	.525/13.34	.450/11.43	.622/15.80	.570/14.48
2X15	.775/19.68	.700/17.78	.872/22.15	.820/20.83
2X20	1.025/26.03	.950/24.13	1.122/28.50	1.070/27.18
2X25	1.275/32.38	1.200/30.48	1.372/34.85	1.320/33.53
2X30	1.525/38.74	1.450/36.83	1.622/41.20	1.570/39.88
2X35	1.775/45.08	1.700/43.18	1.872/47.55	1.820/46.23
2X40	2.025/51.43	1.950/49.53	2.122/53.90	2.070/52.58
2X45	2.275/57.78	2.200/55.88	2.372/60.25	2.320/58.93
2X50	2.525/64.14	2.450/62.23	2.622/66.60	2.570/65.28



SECTION X-X  
ROTATED 90° CW



SECTION Y-Y

mat'l. code -		surface ISO 1302 ✓		tolerance ISO 406 ISO 1101		projection [Symbol]		product family RIBCAGE	
ltr	ecn	no	dr	date		tolerances unless otherwise specified		title	
T						angles	linear	INCH/MM	
						0.01	.005/0.13	scale 4:1	
						0.02	.0020/0.051	FCJ	
			dr	M. CORNMAN	6/6/95			dwg no sheet 2 of 6 size	
			enr	D. WHITING	6/6/95			95776 A3	
			chr	D. WHITING	6/6/95			type Product Customer Drawing	
			appd	D. WHITING	6/6/95				

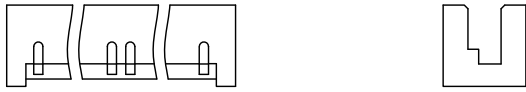
sheet index	revision sheet																		
-------------	----------------	--	--	--	--	--	--	--	--	--	--	--	--	--	--	--	--	--	--

Copyright FCI  
FCIconnect.com

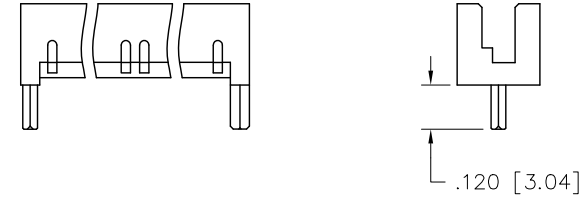
PRODUCT NUMBER  
SEE TABLE

# LOCATOR/HOLDDOWN VARIATIONS

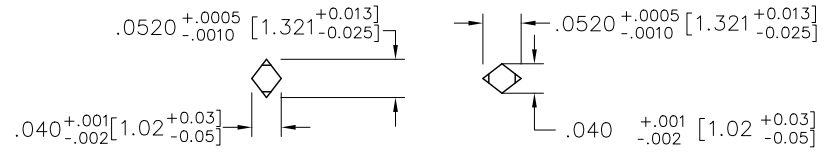
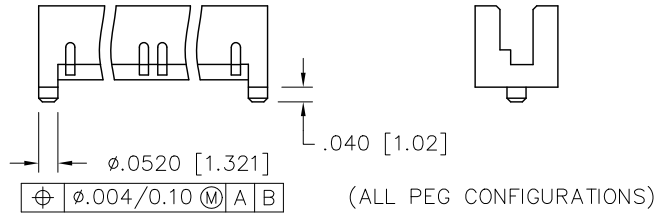
STYLE  
1



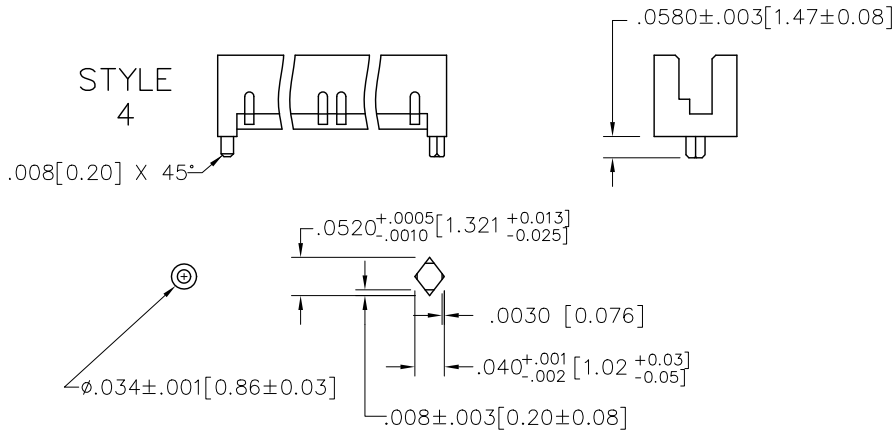
STYLE  
6



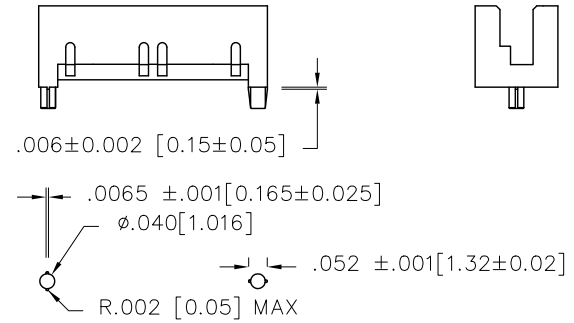
STYLE  
2



STYLE  
4



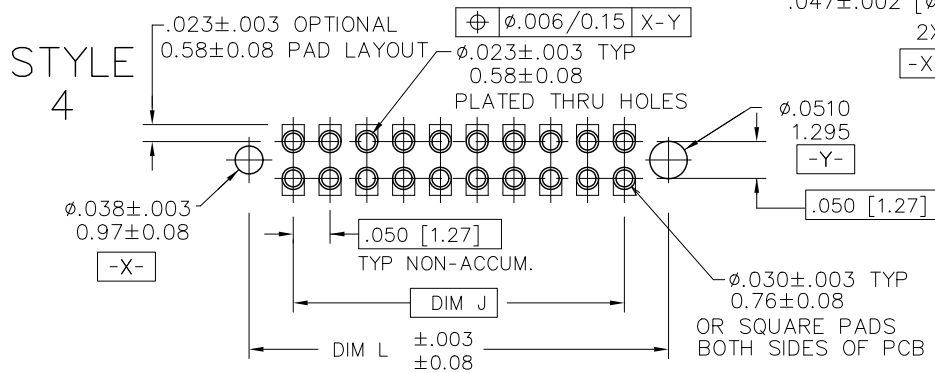
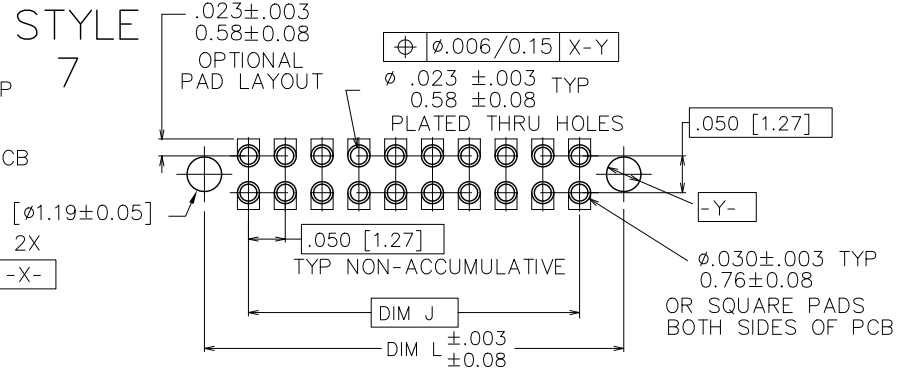
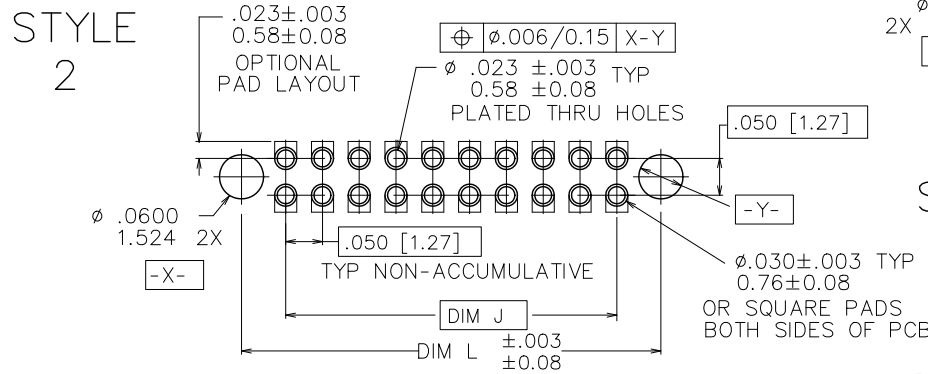
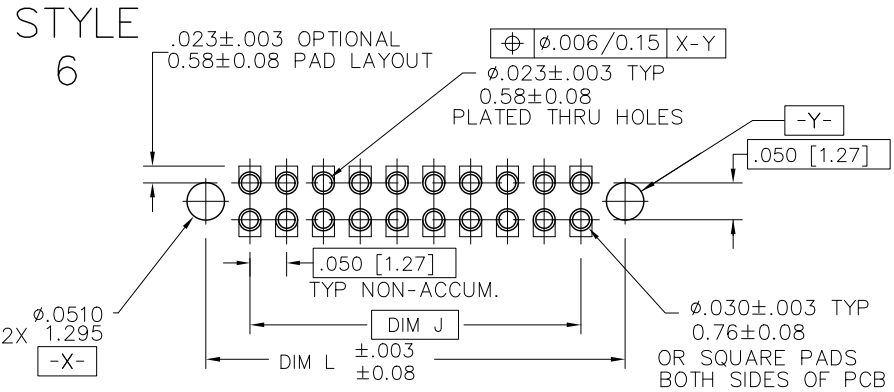
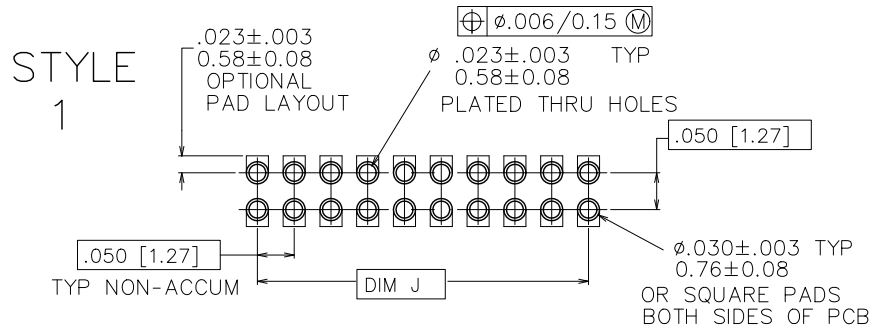
STYLE  
7



mat'l. code		surface		tolerance		projection		product family	
-		ISO 1302 <input checked="" type="checkbox"/>		ISO 406				RIBCAGE	
-		tolerances unless otherwise specified		ISO 1101		INCH/MM		title	
ltr	ecn	no	dr	date	angles	linear	scale 4:1		RIBCAGE III T/M
T					0 deg?	.XX±.01/0.3			VERT. HEADER ASS'Y
						.XXX±.005/0.13			dwg no
						.XXXX±.0020/0.051			sheet 3 of 6
			dr	M. CORNMAN	6/6/95			size	
			enrg	D. WHITING	6/6/95			95776	
			chr	D. WHITING	6/6/95			A3	
			appd	D. WHITING	6/6/95			type Product Customer Drawing	
sheet	revision								
index	sheet								

PRODUCT NUMBER  
SEE TABLE

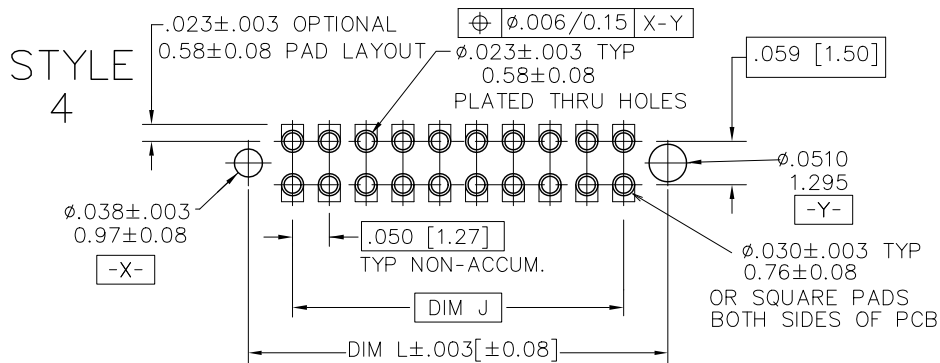
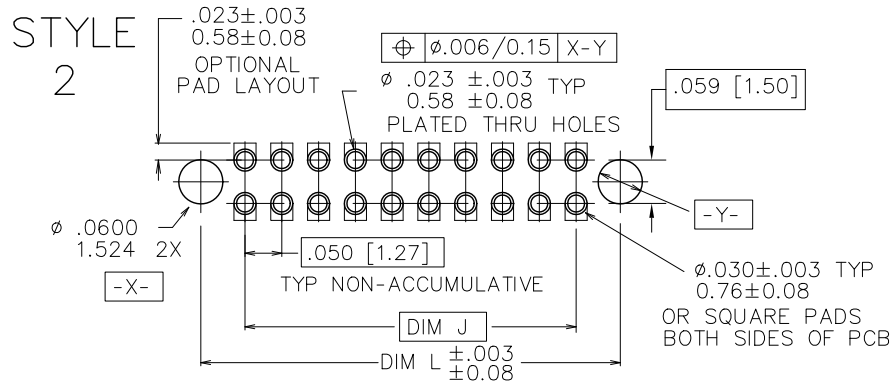
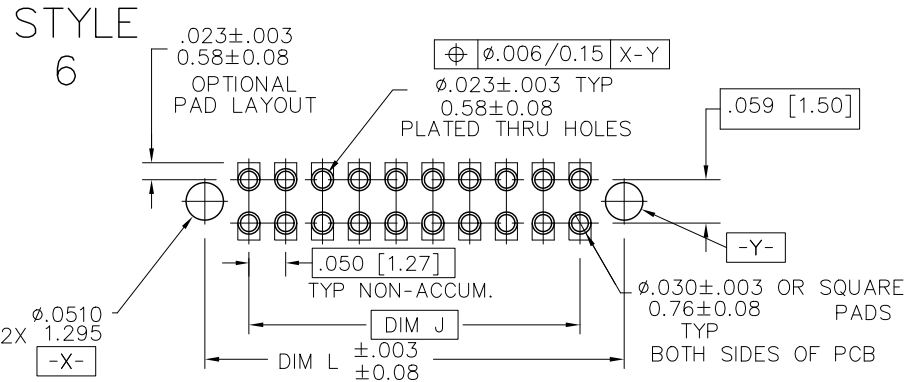
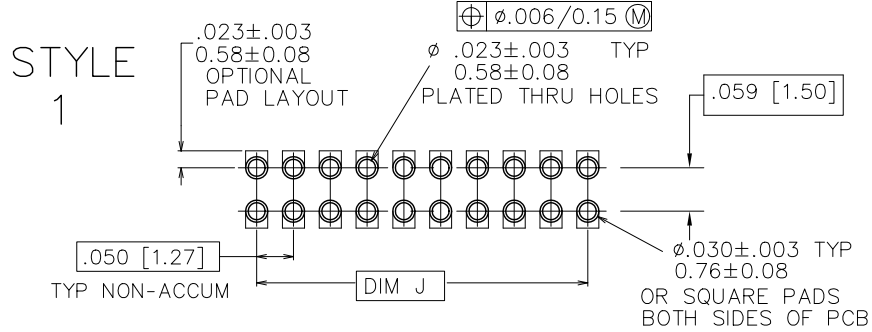
# RECOMMENDED P. C. B. LAYOUT



mat'l. code		surface		tolerance		projection		product family		
-		ISO 1302 ✓		ISO 406 ISO 1101				RIBCAGE		
ltr	ecn	no	dr	date		tolerances unless otherwise specified		title		
T						angles	linear	RIBCAGE III T/M VERT. HEADER ASS'Y		
						0氣2?	.xxx±.005/0.13 .xxxx±.0020/0.051	INCH/MM		
						dr	M. CORNMAN	6/6/95	scale 4:1	
						engr	D. WHITING	6/6/95		
						chr	D. WHITING	6/6/95		
						appd	D. WHITING	6/6/95		
sheet	revision								sheet 4 of 6 size	
index	sheet								95776 A3	
								type Product Customer Drawing		

PRODUCT NUMBER  
SEE TABLE

# RECOMMENDED P. C. B. LAYOUT



mat'l. code -		surface ISO 1302 ✓	tolerance ISO 406 ISO 1101	projection 	product family RIBCAGE
ltr	ecn no	dr	date	tolerances unless otherwise specified	title
T				angles linear .XX±.01/0.3 0氣2? .XXX±.005/0.13 .XXXX±.0020/0.051	RIBCAGE III T/M VERT. HEADER ASS'Y
		dr	M. CORNMAN	6/6/95	dwg no
		enrg	D. WHITING	6/6/95	sheet 5 of 6
		chr	D. WHITING	6/6/95	size
		appd	D. WHITING	6/6/95	A3
				scale 4:1	95776
					type Product Customer Drawing
sheet index	revision sheet				

PRODUCT NO. NOTE 1,7	DIM N SOLDER TAIL LENGTH	DIM P HEIGHT ABOVE BOARD (REF)	DIM R SOLDER TAIL SPREAD	HOLDDOWN STYLE
72449-1XX	.090/2.29	.221/5.63	.050/1.27	2
72450-1XX	.075/1.91	.293/7.44	↑	2
72451-1XX	.115/2.92	.221/5.63	↑	2
72452-1XX	.115/2.92	.221/5.63	↑	6
73541-1XX	.075/1.91	.293/7.44	↑	1
73543-1XX	.090/2.29	.359/9.12	↑	1
87407-1XX	.090/2.29	.221/5.63	↑	1
87850-1XX	.075/1.91	↑	↑	2
87851-1XX	.075/1.91	↑	↑	6
88550-1XX	.135/3.43	↑	↑	2
89289-1XX	.075/1.91	↑	↑	1
89465-1XX	.115/2.92	↑	↑	1
93149-1XX	.075/1.91	↓	↑	4
98382-1XX	.090/2.29	.221/5.63	↑	7
98383-1XX	.090/2.29	.293/7.44	↑	1
98384-1XX	.090/2.29	.293/7.44	↓	7
98385-1XX	.090/2.29	.359/9.12	.050/1.27	7

PRODUCT NO. NOTE 1,7	DIM N SOLDER TAIL LENGTH	DIM P HEIGHT ABOVE BOARD (REF)	DIM R SOLDER TAIL SPREAD	HOLDDOWN STYLE
87400-1XX	.075/1.91	.221/5.63	.059/1.50	2
87405-1XX	.075/1.91	↑	↑	1
87405-2XX	.090/2.29	↑	↑	1
87406-1XX	.075/1.91	↓	↑	6
87406-2XX	.100/2.54	↓	↑	6
87410-1XX	.090/2.29	.221/5.63	↑	2
87411-1XX	.075/1.91	.293/7.44	↑	2
87412-1XX	.115/2.92	.221/5.63	↓	2
89297-1XX	.115/2.92	.221/5.63	.059/1.50	6

NOTES:

- ① XXXXX-XXXLF  
  - └ LEAD FREE OPTION (NOTE 7,8)
  - └ NUMBER OF POSITIONS (NOTE 2)
- ② NUMBER OF POSITIONS = 05 THRU 50 IN 5 POS INCREMENTS.  
(EXAMPLE: 105=10 POS., 110=20 POS. ETC.)
- ③ REQUIRED ON -X40,-X45 & -X50 POSITION PARTS ONLY.
4. PACKAGE PER BUS-14-179.
5. HOUSING MATERIAL:  
GLASS FILLED THERMOPLASTIC FLAME RETARDANT  
PER UL 94V-0.  
COLOR: NATURAL
6. TERMINAL PLATING:  
30u"/.76u MIN HARD GOLD OR GXT OVER 50u"/1.27u Ni ON  
CONTACT ZONES.  
100u"/2.54u MIN Sn OVER 50u"/1.27u Ni IN  
SOLDERING ZONES.
- ⑦ ADD "LF" SUFFIX AT THE END OF PART NUMBER FOR  
LEAD FREE OPTION.

8. THIS PRODUCT MEETS EUROPEAN UNION DIRECTIVES AND OTHER  
COUNTRY REGULATION AS DESCRIBED IN GS-22-008.
9. THE HOUSING WILL WITHSTAND EXPOSURE TO 260°C PEAK TEMPERATURE  
FOR 15 SECONDS IN A WAVE SOLDER APPLICATION WITH A 1.5mm  
MINIMUM THICK CIRCUIT BOARD. SEE APPLICATION NOTES/PROCEDURES  
IF THEY ARE AVAILABLE.
- ⑩ MOLDING FLOW RESTRICTOR QUANTITY AND LOCATION IS  
MANUFACTURING OPTION.
- ⑪ VACUUM CAP SLOT REQUIRED ON ALL SIZES, SLOT MAY  
BE LOCATED ON OPPOSITE SIDE FOR 2 X 5.
12. PRODUCT SPECIFICATION PER BUS-12-087.

mat'l. code		surface		tolerance		projection		product family	
-		ISO 1302 ✓		ISO 406				RIBCAGE	
litr		ecn no dr date		tolerances unless otherwise specified				title	
T				angles linear .XX±.01/0.3 .XXX±.005/0.13 0氣2? .XXXX±.0020/0.051		INCH/MM		RIBCAGE III T/M	
				dr M. CORNMAN 6/6/95		scale 4:1		VERT. HEADER ASS'Y	
				enrg D. WHITING 6/6/95				dwg no sheet 6 of 6 size	
				chr D. WHITING 6/6/95				95776 A3	
				appd D. WHITING 6/6/95				type Product Customer Drawing	
sheet index		revision sheet							