

DETAILS

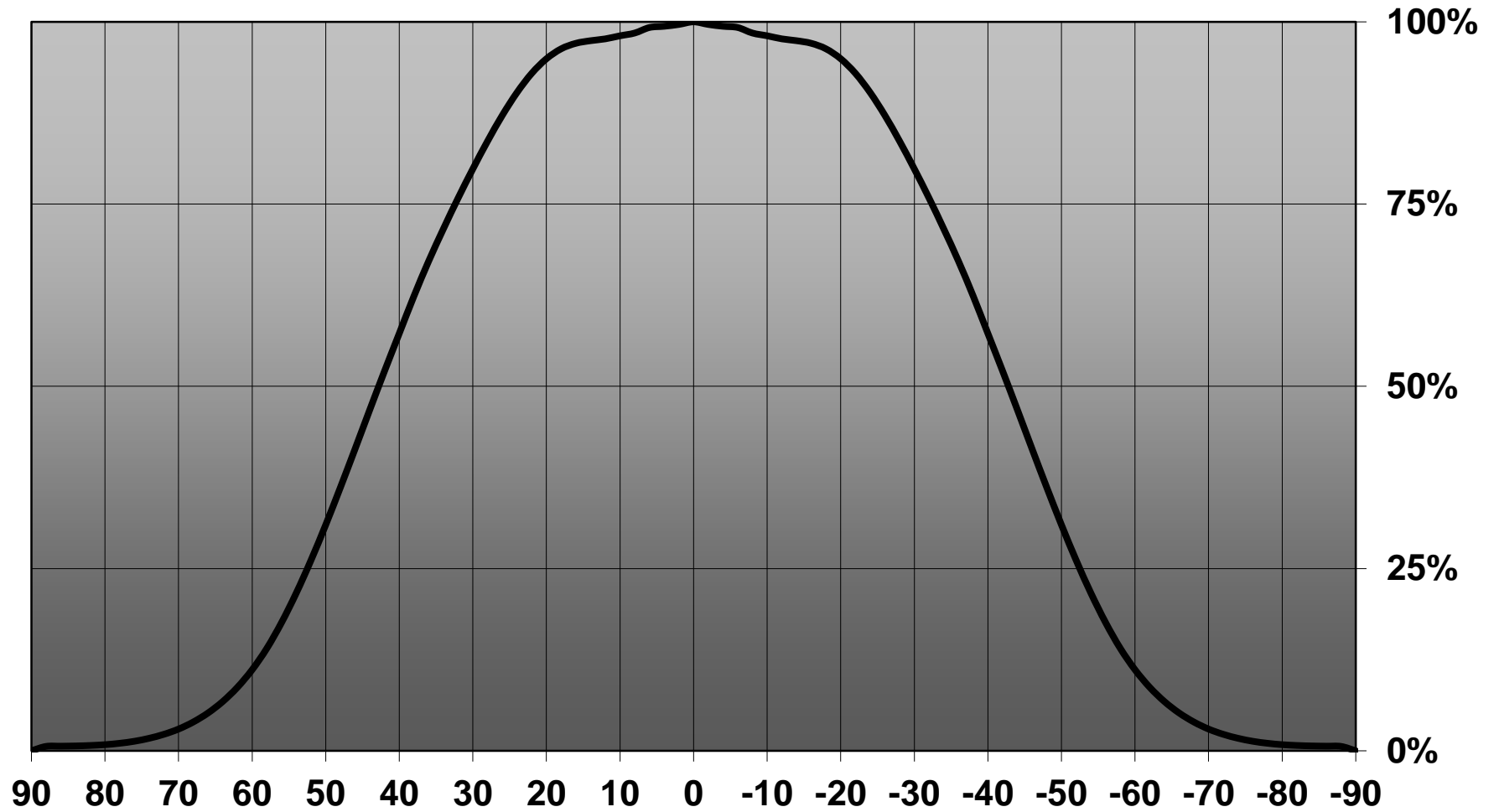
Product Number	FP11429_LISA2-WWW-PIN
Family	Lisa
Type	Assembly
Color	black
Diameter	9,9 mm
Height	7 mm
Style	round
Optic Material	PMMA
Holder Material	
Fastening	glue, pin
Status	production ready
ROHS Compliant	Yes
Date Updated	19/01/2017



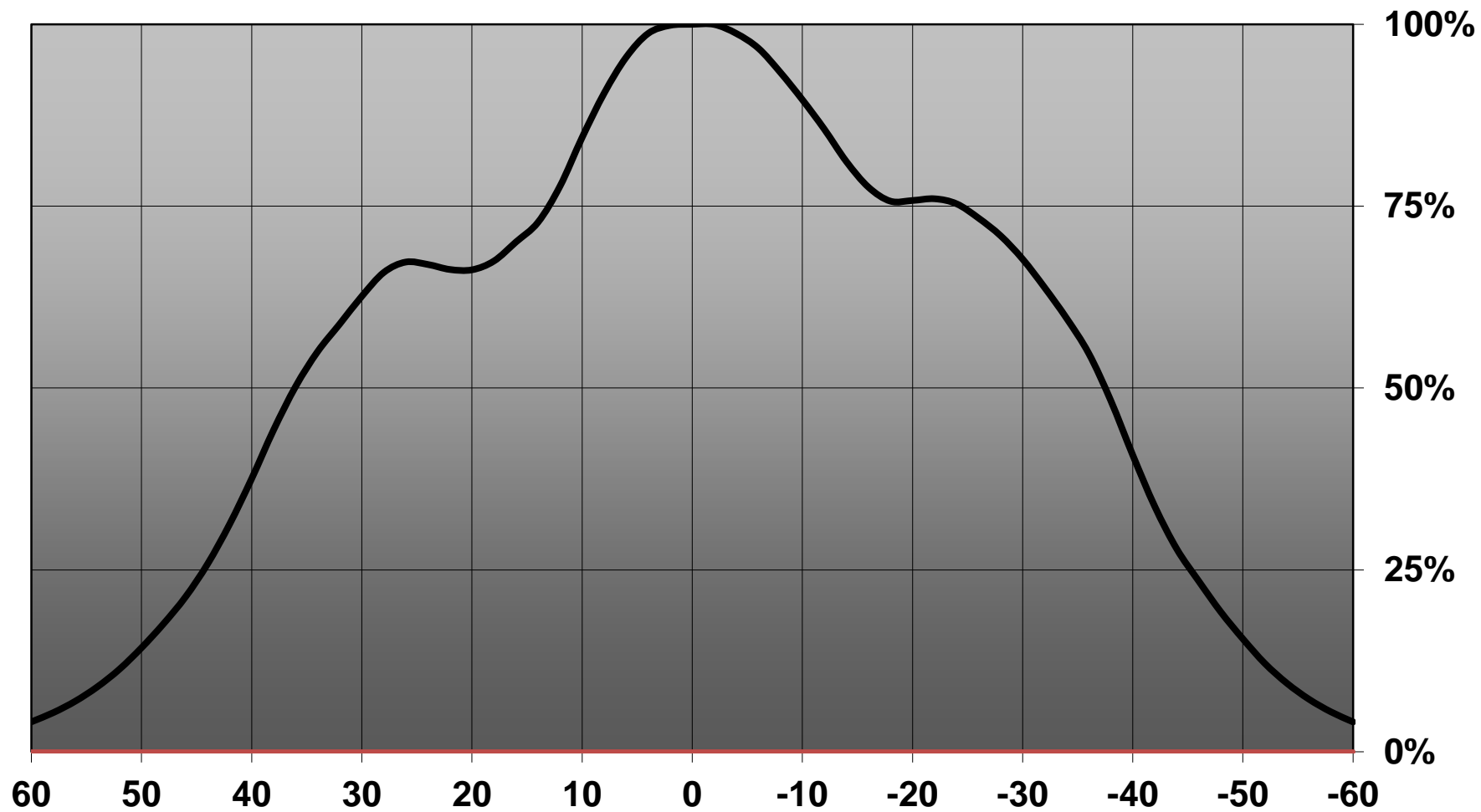
OPTICAL PROPERTIES

LED	Viewing	Light	Effi-	cd/lm	Connector
	Angle	Beam	ciency		
XP-E	84 deg	WWW-class	77 %	0.500	-
XP-G	86 deg	WWW-class	75 %	0.400	-
XB-D	73 deg	WWW-class	71 %	-	-
XQ-E	sim: 70	WWW-class	sim: 81 %	sim: 0.600	-
LUXEON Rebel ES	88 deg	WWW-class	-	-	-
LUXEON A	86 deg	WWW-class	72 %	0.300	-
LUXEON Z	73 deg	WWW-class	75 %	0.600	-
Synios P2720 1 mm	sim: 74	WWW-class	sim: 87 %	sim: 0.660	-
SFH 4715AS	sim: 54	WWW-class	sim: 88 %	sim: 0.000	-
Z5	sim: 70	WWW-class	-	-	-

Relative intensity of FP11429_LISA2-WWW-PIN-LuxA



Relative intensity of FP11429_LISA2-WWW-PIN_(Luxeon Z)

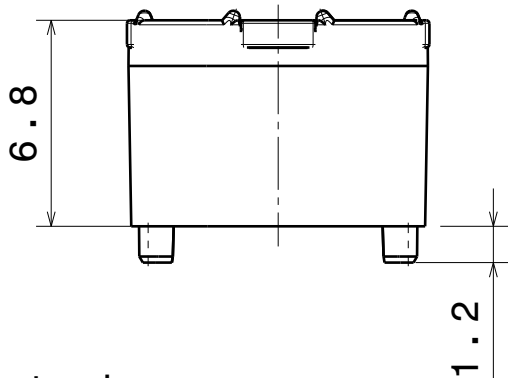


D

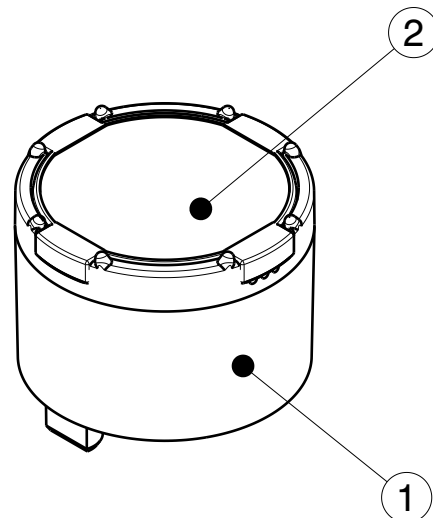
C

B

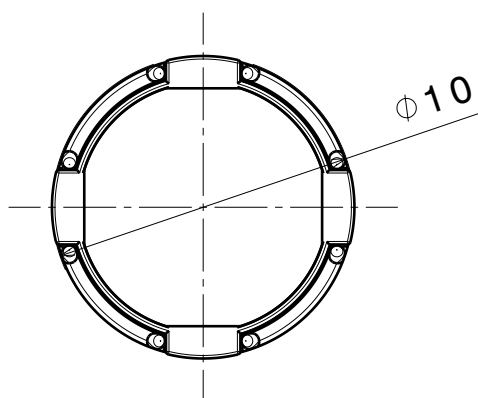
A



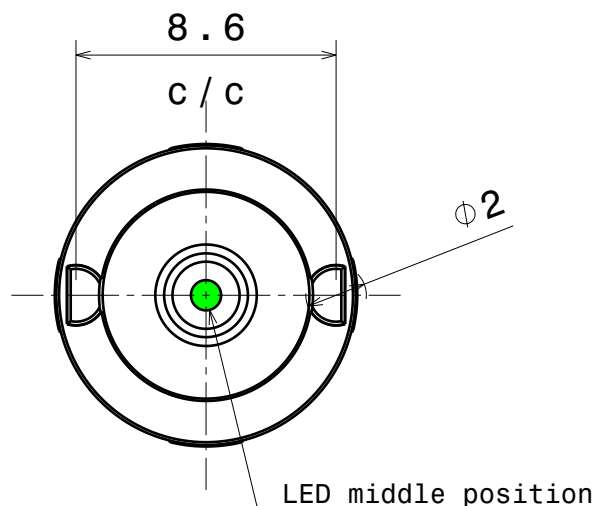
Front view



Isometric view



Top view



Bottom view

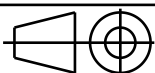
INDEX	PART NO	DESCRIPTION	MATERIAL	COLOUR
1	F10989	LISA2-HLD-PIN	PC	black
2	-	LISA2_lens	PMMA	

Tolerances if not otherwise shown
According to DIN ISO 2768-1
Linear measures:
up to 30mm class M, otherwise class C
According to DIN ISO 2768-2
Form and position: class L

LEDiL

Ledil Oy
Salorankatu 10
FIN 24240 SALO
Finland

THIRD ANGLE PROJECTION:



DRAWING TITLE

Lisa2-PIN-XP assembly

This drawing is the property
of LEDiL Oy. It may not be
reproduced, copied or
communicated without a written
agreement with LEDiL Oy.

SIZE PART NUMBER

A4

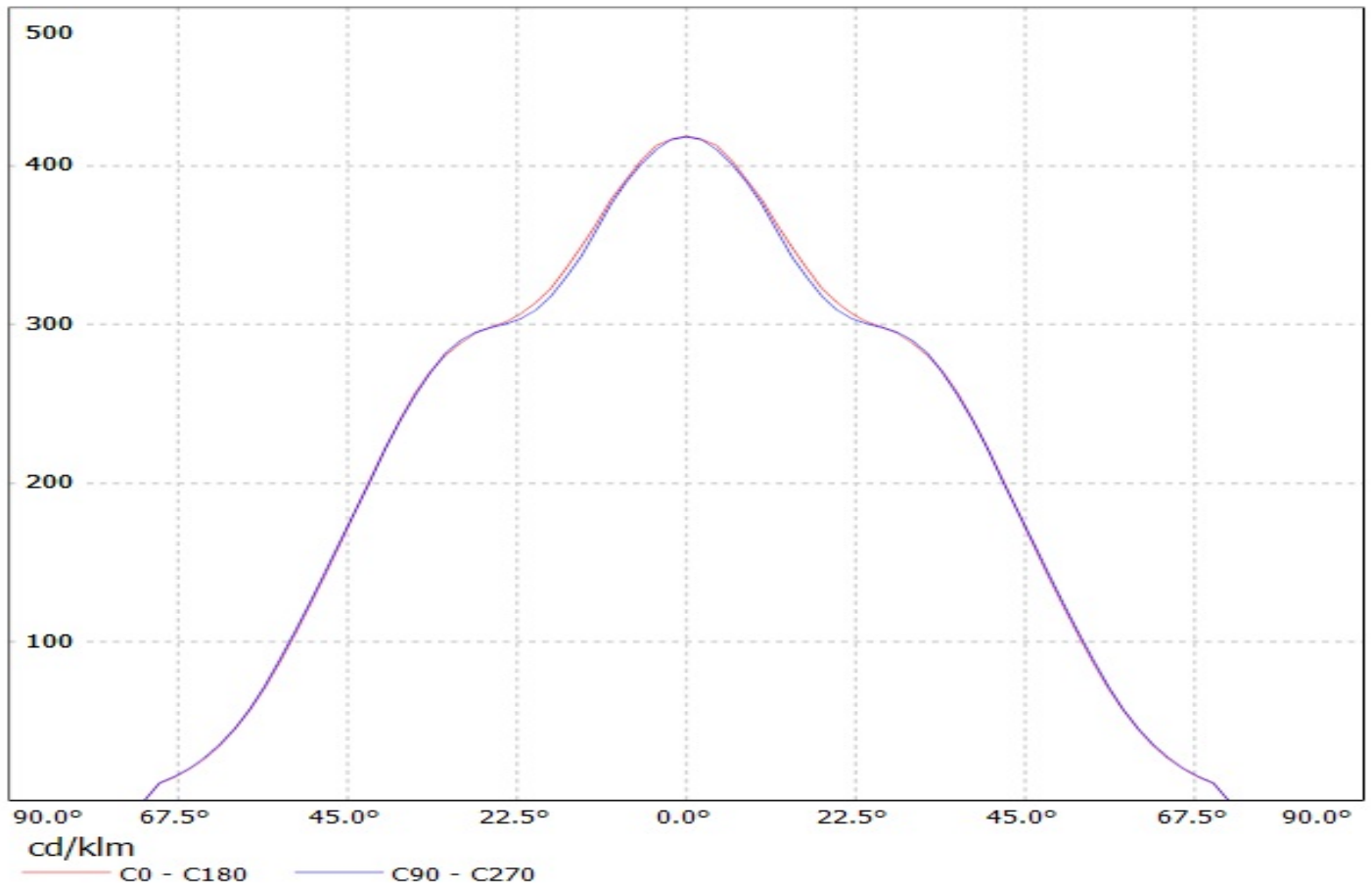
-

SCALE 4:1 WEIGHT 0,5 g SHEET 1/1

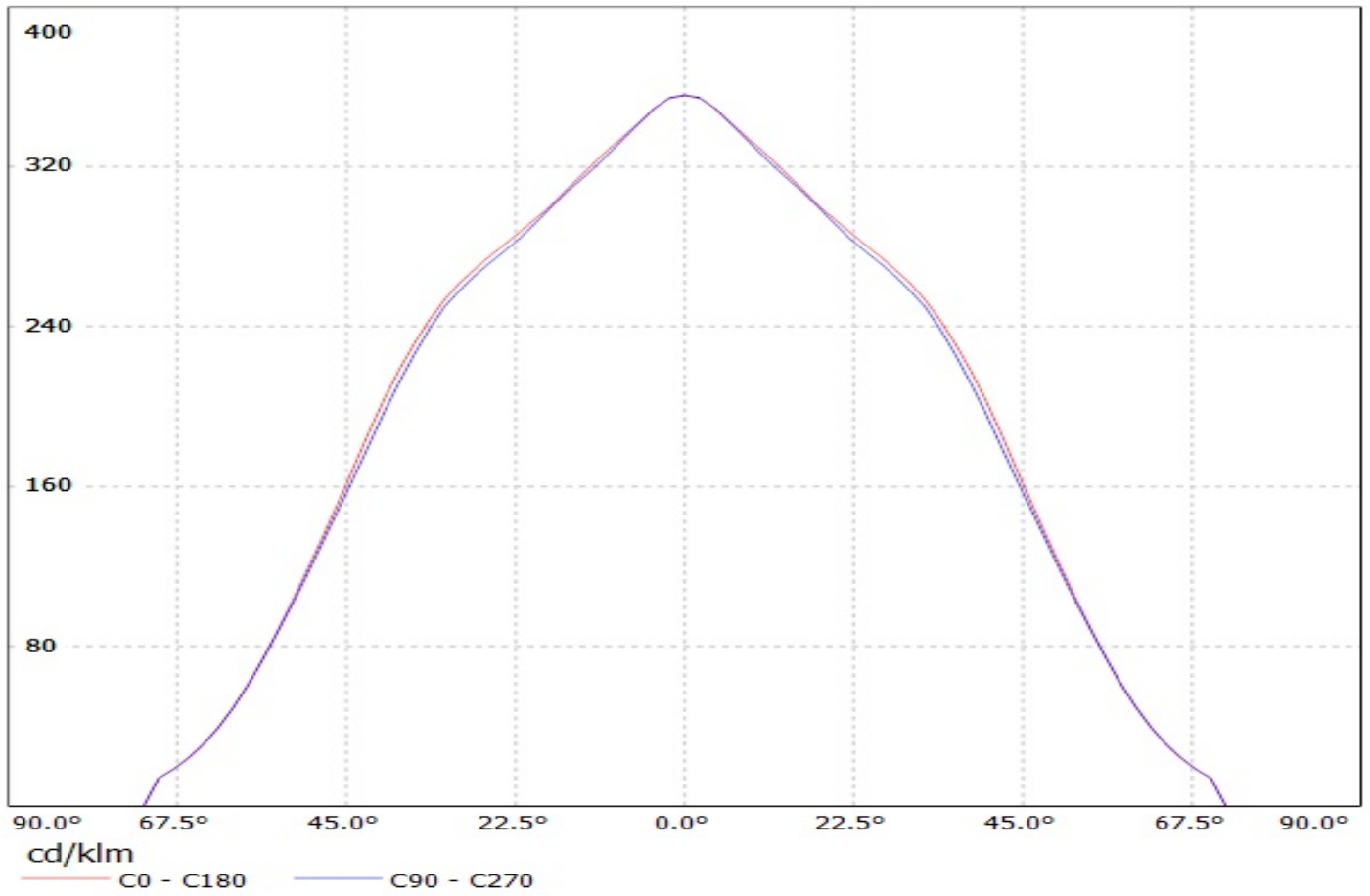
D

A

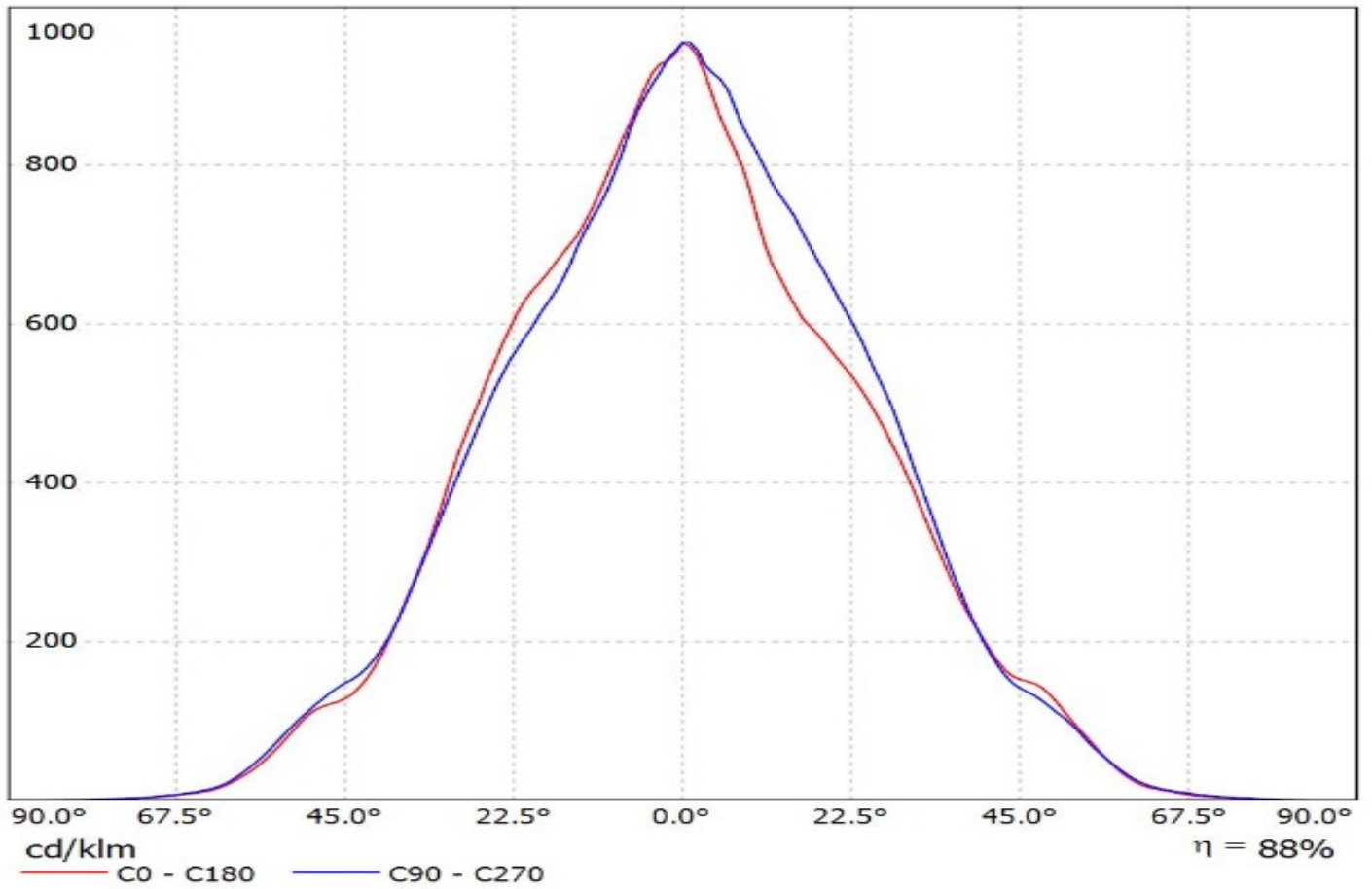
Luminaire: Ledil Oy Lisa2-WWW-XP Lisa2-WWW-XP
Lamps: 1 x cree xp-e white



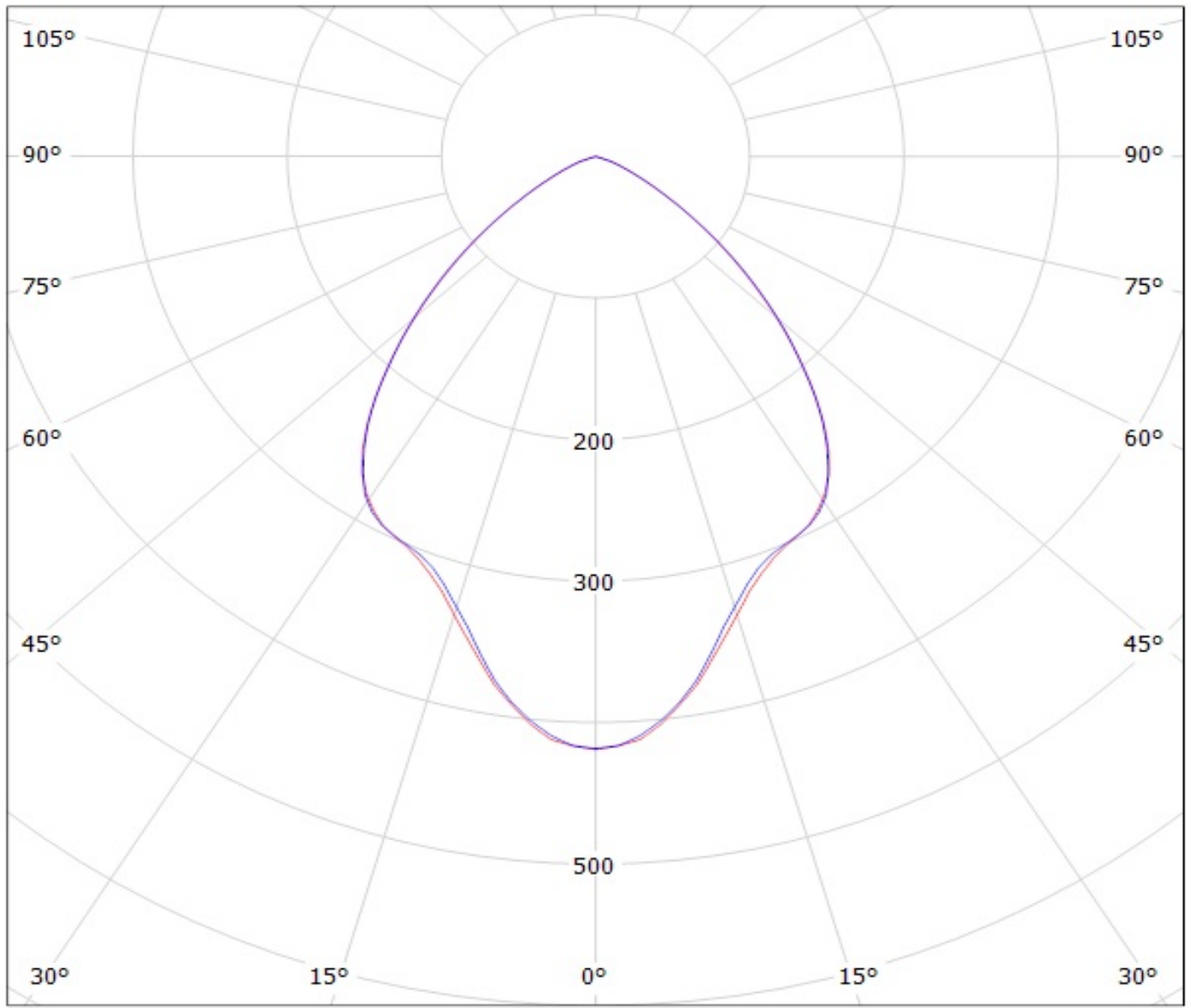
Luminaire: Ledil Oy FA11429_Lisa2-WWW-Pin-XP-G FA11429_Lisa2-WWW-Pin-XP-G
Lamps: 1 x Cree XP-G white



Luminaire: Ledil Oy FP11429_LISA2-WWW-PIN_(SFH_4715AS)_SIMULATED
Lamps: 1 x Osram SHF 4715AS with changed wavelength to 550 nm



Luminaire: Ledil Oy Lisa2-WWW-XP Lisa2-WWW-XP
Lamps: 1 x cree xp-e white

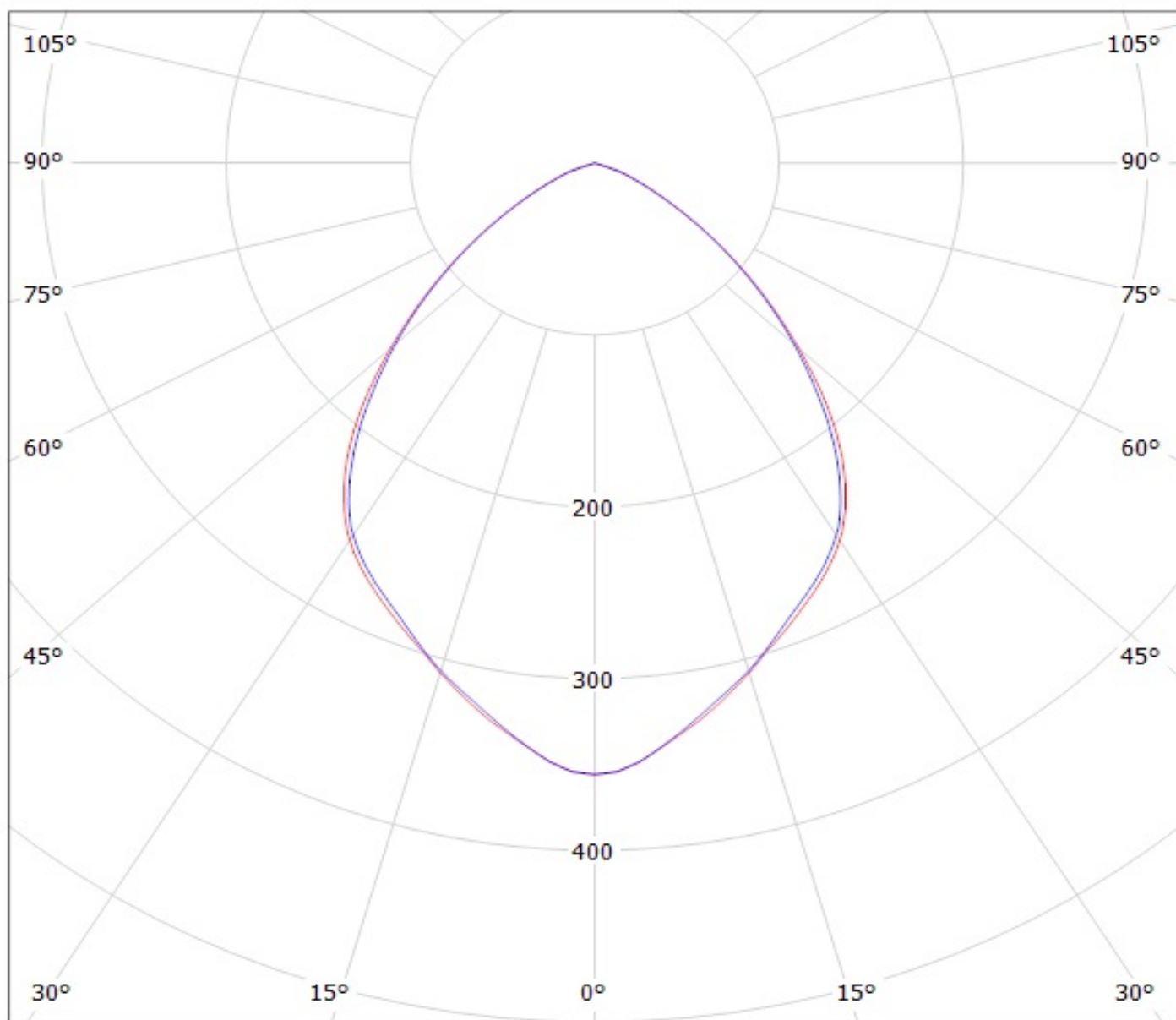


cd/klm

— C0 - C180

— C90 - C270

Luminaire: Ledil Oy FA11429_Lisa2-WWW-Pin-XP-G FA11429_Lisa2-WWW-Pin-XP-G
Lamps: 1 x Cree XP-G white

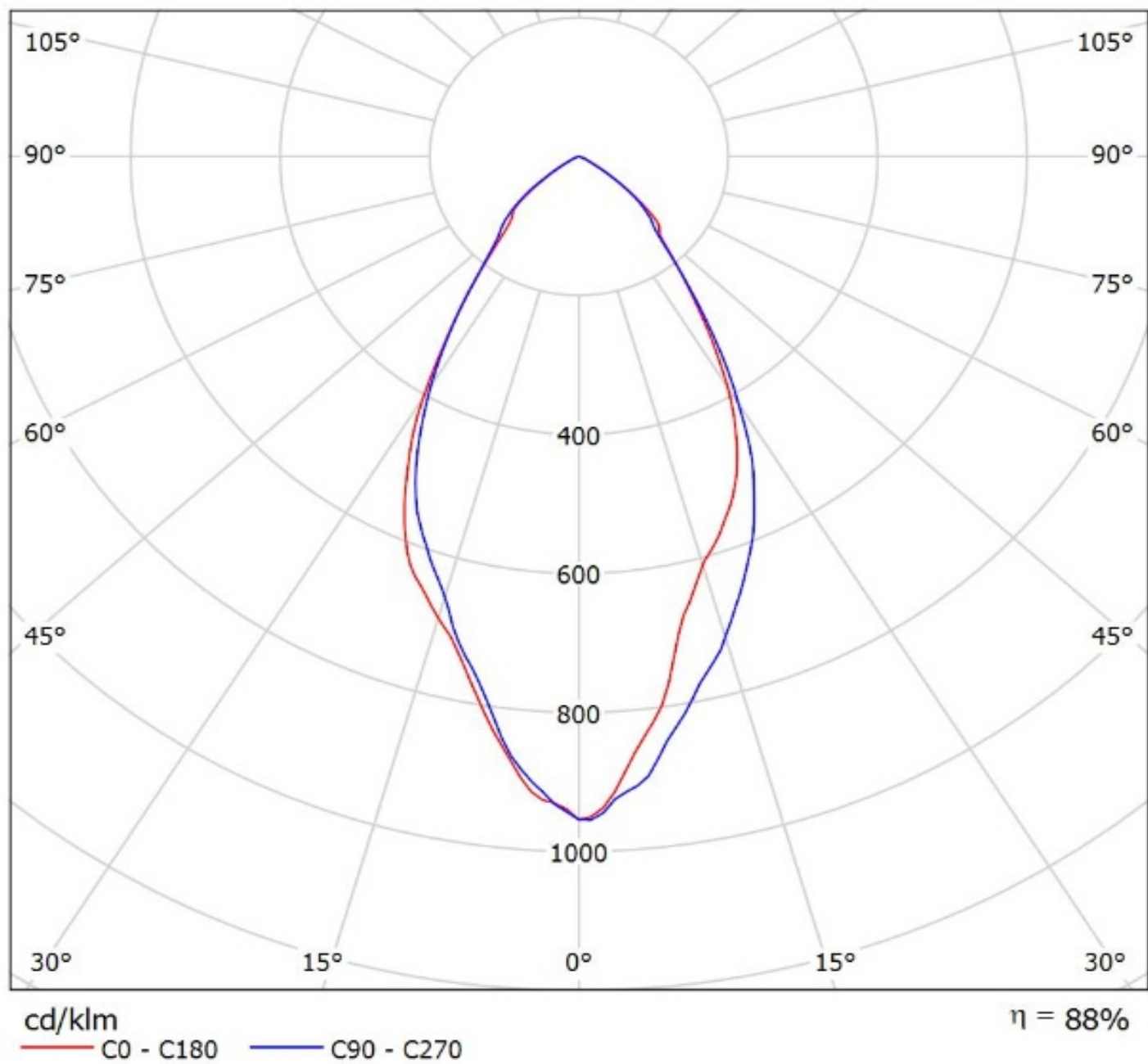


cd/klm

— C0 - C180

— C90 - C270

Luminaire: Ledil Oy FP11429_LISA2-WWW-PIN_(SFH_4715AS)_SIMULATED
Lamps: 1 x Osram SHF 4715AS with changed wavelength to 550 nm



NOTE: The typical divergence will be changed by different color, chip size and chip position tolerance. The typical total divergence is the full angle measured where the luminous intensity is half of the peak value.