



# PRODUCT DATASHEET

## Eva series

last update 30/12/2016

### DETAILS

<b>Product Number</b>	CA14402_EVA-M
<b>Family</b>	Eva
<b>Type</b>	Assembly
<b>Color</b>	black
<b>Diameter</b>	37,7 mm
<b>Height</b>	17,2 mm
<b>Style</b>	round
<b>Optic Material</b>	PMMA
<b>Holder Material</b>	
<b>Fastening</b>	tape, pin
<b>Status</b>	production ready
<b>ROHS Compliant</b>	Yes
<b>Date Updated</b>	30/12/2016

### OPTICAL PROPERTIES

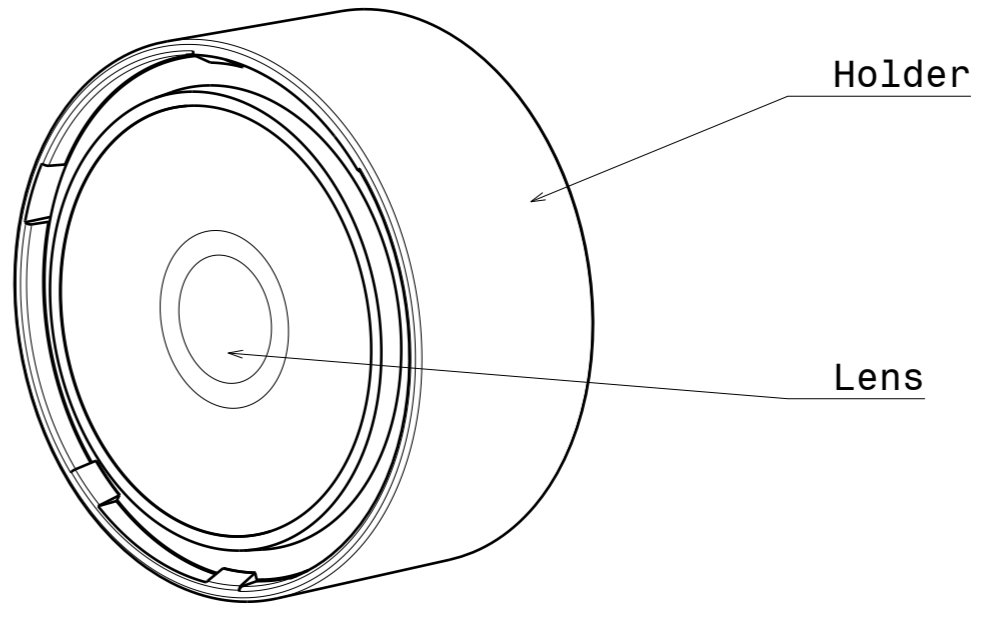
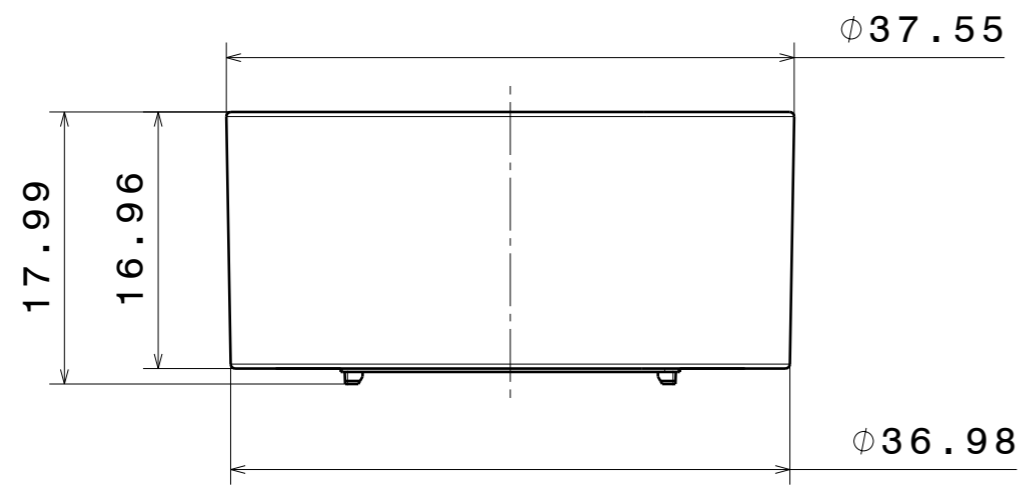
LED	Viewing Angle	Light Beam	Efficiency	cd/lm	Connector
LUXEON M/MX	26 deg	Medium	87 %	2.800	-
Z8Y22P	sim: 25	Medium	sim: 98 %	sim: 4.900	-



H G F E D C B A

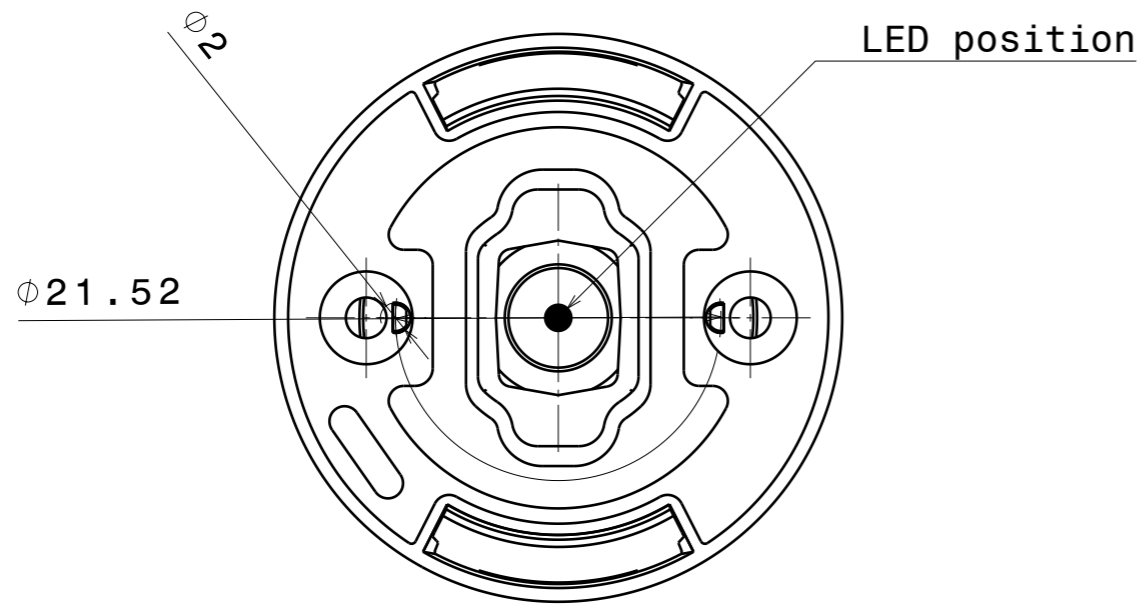
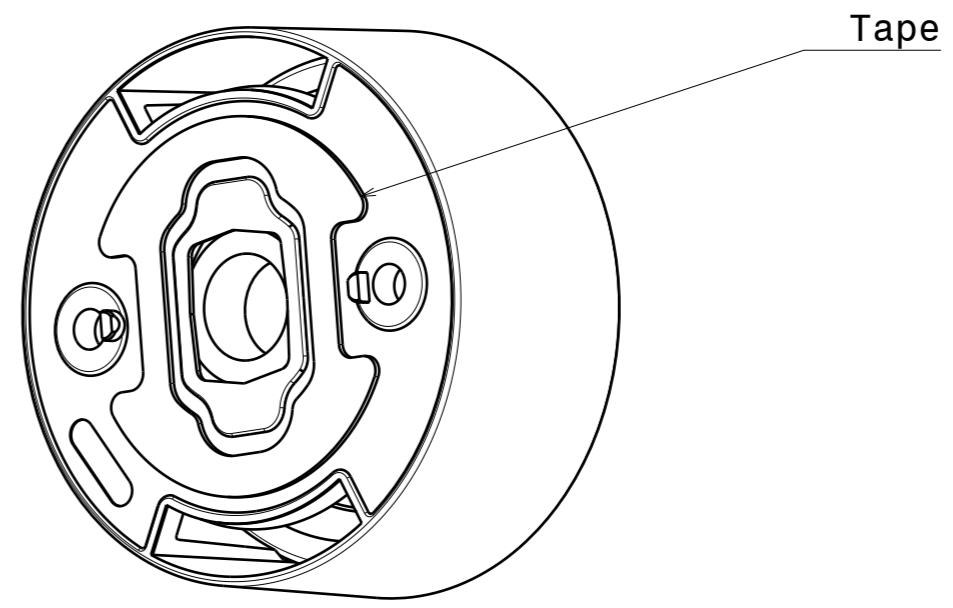
4

4



3

3



2

2

INDEX	PART NO	MATERIAL	COLOUR
1	Holder	PC	Black
2	Lens	PMMA	Clear
3	Tape	-	Black

Tolerances if not otherwise shown  
 According to DIN ISO 2768-1  
 Linear measures: class C  
 According to DIN ISO 2768-2  
 Form and position: class L

**LEDiL** LediL Oy  
 Salorankatu 10  
 FIN 24240 SALO  
 Finland

THIRD ANGLE PROJECTION:

DRAWING TITLE  
**CA14402\_EVA-M**

This drawing is the property of LEDiL Oy. It may not be reproduced, copied or communicated without a written agreement with LEDiL Oy.

SIZE PART NUMBER  
**A3 CA14402**

SCALE 2:1 WEIGHT - SHEET 1/1

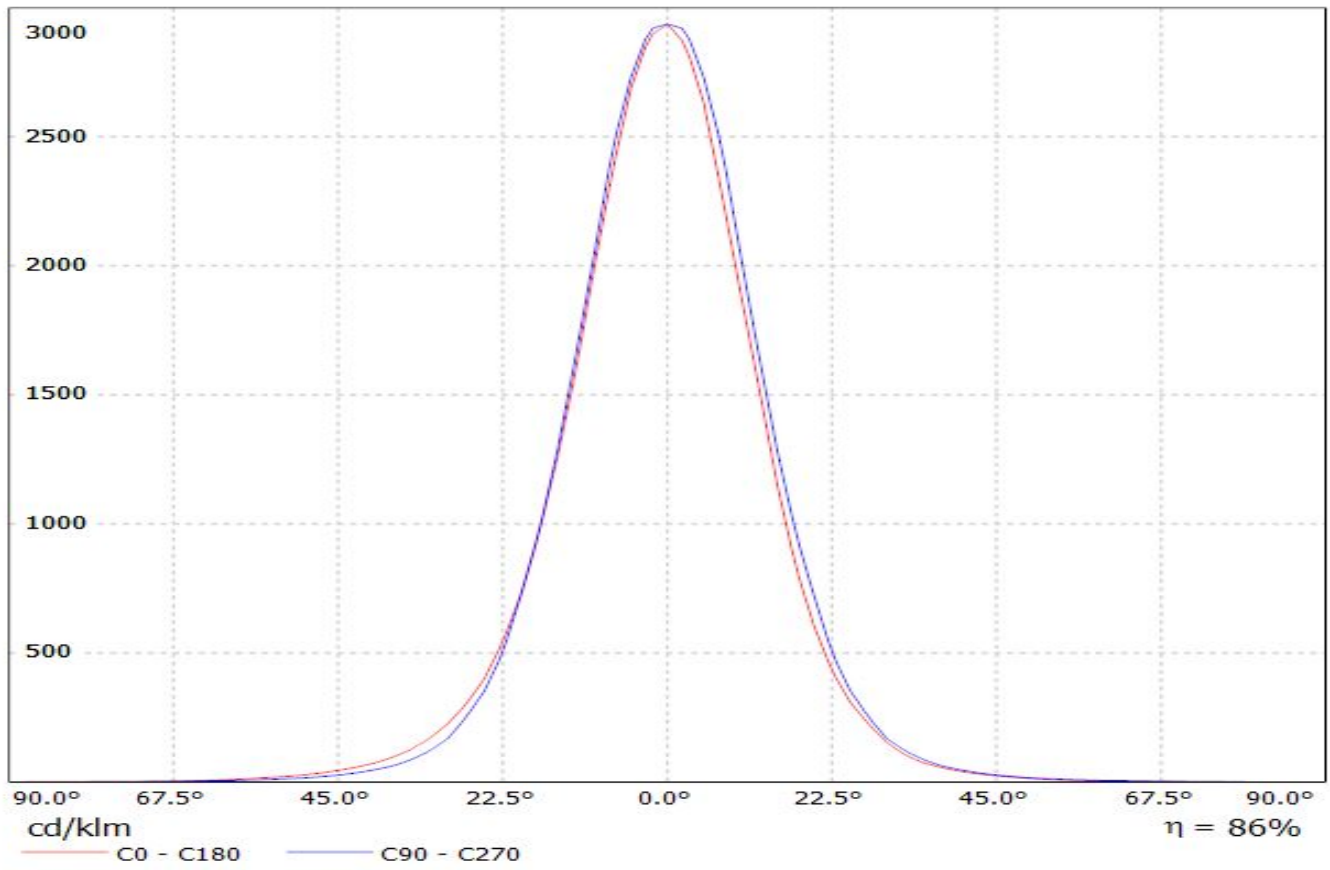
SCALE 2:1 WEIGHT - SHEET 1/1

H G B A

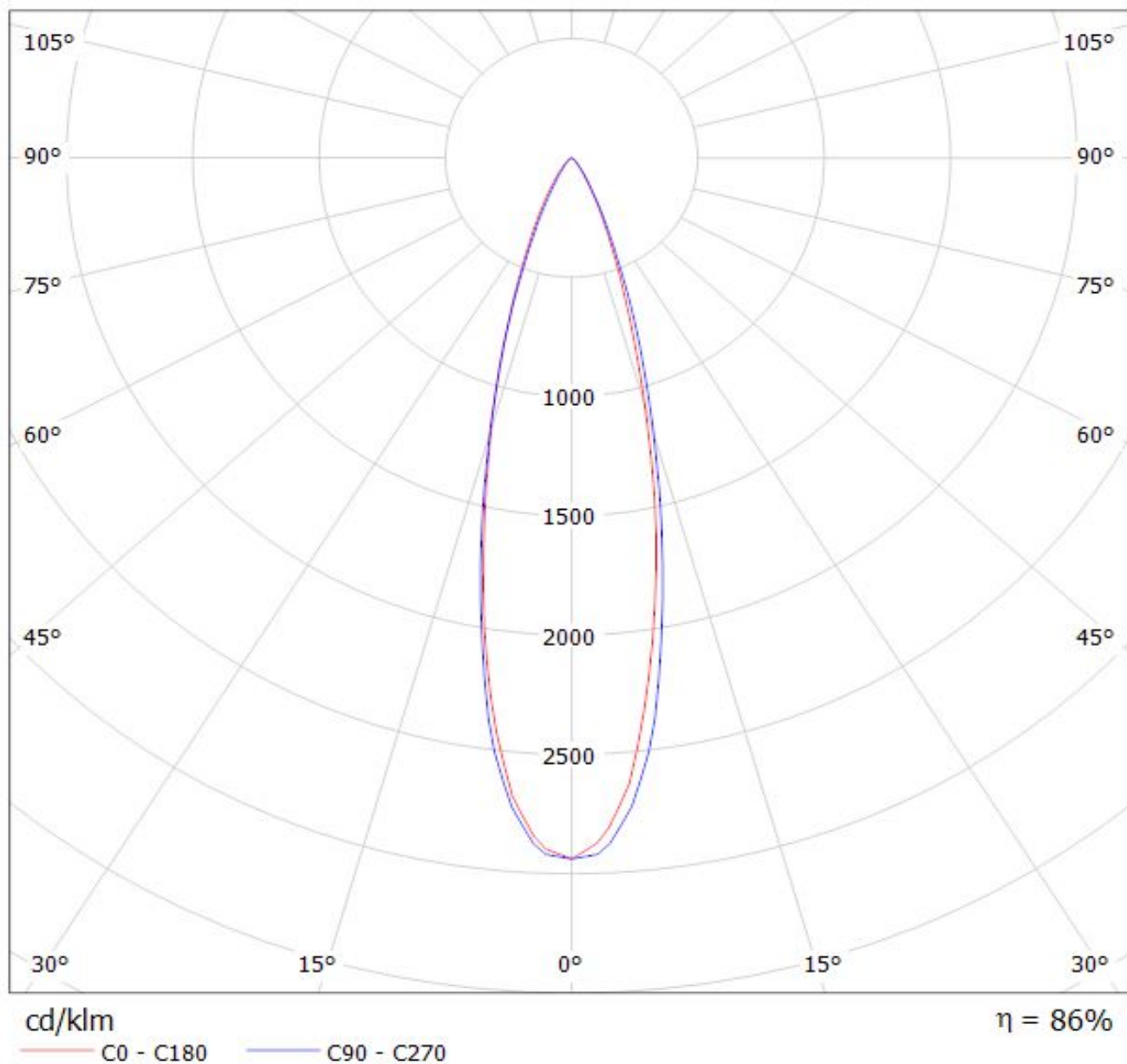
1

1

Luminaire: Ledil Oy CA14402\_EVA-M Efficiency=87%  
Lamps: 1 x Luxeon M 348lm @ 250mA



Luminaire: Ledil Oy CA14402\_EVA-M Efficiency=87%  
Lamps: 1 x Luxeon M 348lm @ 250mA



**NOTE: The typical divergence will be changed by different color, chip size and chip position tolerance. The typical total divergence is the full angle measured where the luminous intensity is half of the peak value.**