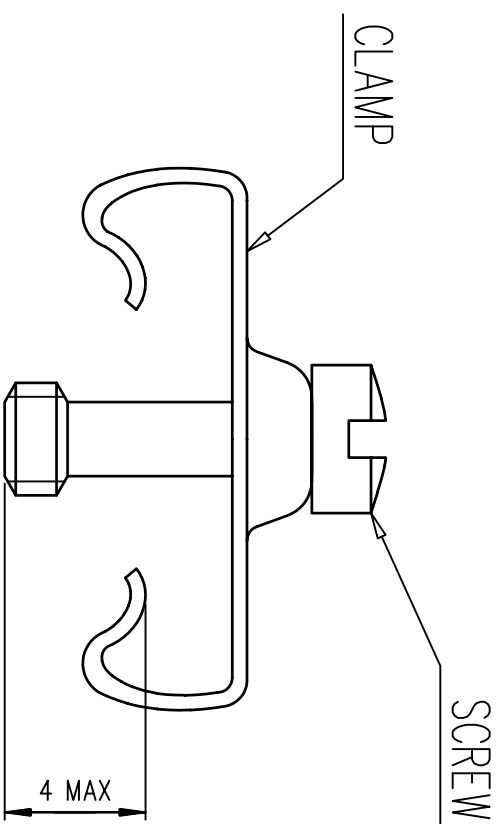


NOTES
 Pieces assembly
 Packaging : per 100 piece
 Material : steel
 Plating : yellow chromate cadmium
 Thread : UNC 4.40

VIEW ASSEMBLY



Part Number	863025A
-------------	---------

rev	ecn no	dr	date
A	-	SJO	1998/04/29
B	LS06-0101	MPE	2006/06/27
C	LS06-0001	MPE	2007/01/02
D	LS09-0006	PCR	2009/01/08
E	ELX-H-01683	PK	2012/05/09
F	ELX-H-01686	PK	2012/05/21

www.fciconnect.com		surface	ISO 1302	tolerance std	ISO 406 ISO 1101	projection	mm
Dr	JOUBERT	1998/04/29	ANGULAR	0.X	±0.1	A3	Scale 5
Eng	-	-	LINEAR	0.XX	±0.1	ECN	ELX-H-011686
Chr	-	-	0.XX ±2	0.XXX	±0.1	Product family	D-SUB
Appr	-	-	Product family		Spec ref	-	-
FCI logo		MALE SCREW LOCKS		50 PTS (P ET S)		C01-8655-0712	
catalog no		-		-		CUSTOMER sheet 1 of 1	

European Views