

MATERIALS AND FINISHES

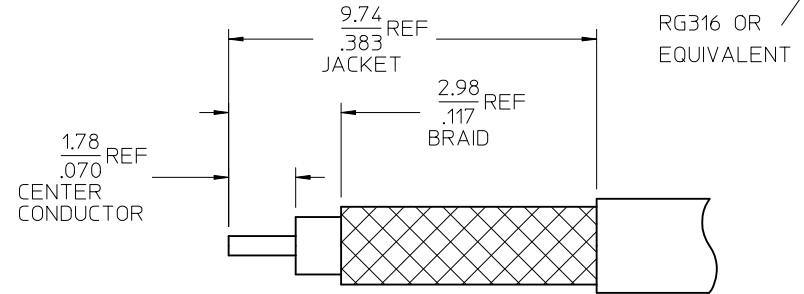
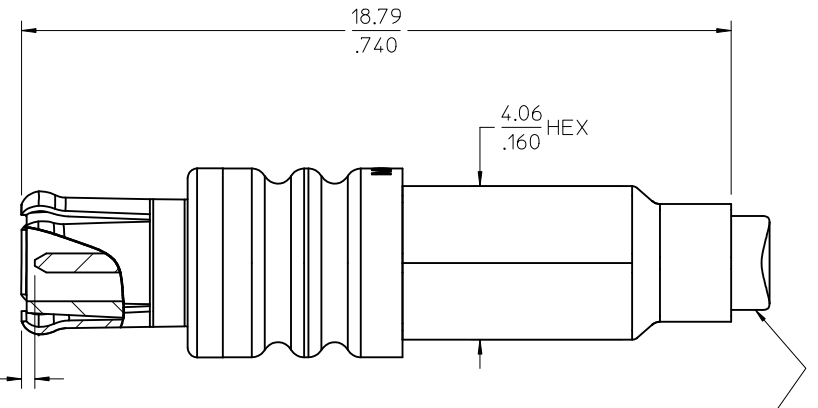
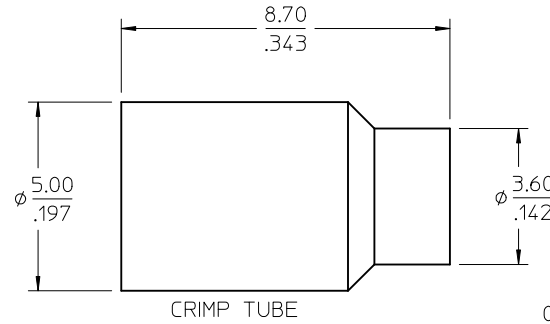
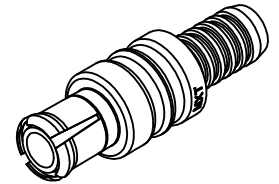
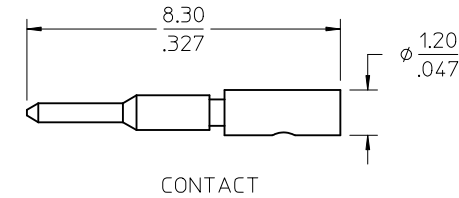
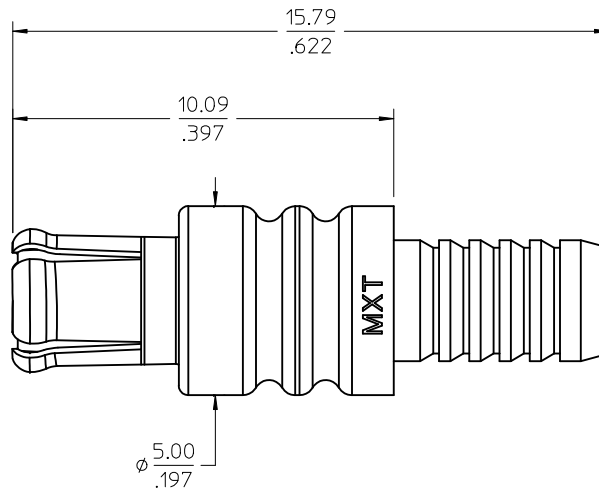
BODY: ZINC ALLOY
PLATED SEE TABLE

CENTER CONTACT: BRASS
PLATED GOLD

INSULATOR: TEFLON

OUTER CONTACT: BERYLLIUM COPPER
PLATED SEE TABLE

FERRULE: BRASS
PLATED SEE TABLE



73366-0027	GOLD	GOLD	GOLD	BULK
73366-0026	GOLD	GOLD	GOLD	ONE PIECE 73366-0021 PER BAG
73366-0025	NICKEL	NICKEL	NICKEL	BULK
73366-0024	GOLD	GOLD	GOLD	73366-0021, SMALL TRAY
73366-0023	NICKEL	GOLD	NICKEL	73366-0020, SMALL TRAY
73366-0022	NICKEL	GOLD	NICKEL	ONE PIECE 73366-0020 PER BAG
73366-0021	GOLD	GOLD	GOLD	BULK
73366-0020	NICKEL	GOLD	NICKEL	BULK
PART NO.	FINISH BODY	FINISH OC	FINISH FERRULE	PACKAGING

PS-89675-1830	PRODUCT SPECIFICATION
SPECIFICATION	DESCRIPTION

CHG: ADDED -0027 PER PDR1108865 IEC NO: URF2012-0088 DRW: CME102 2011/08/12 CHKD: APPR: MHUANG 2011/08/25	QUALITY SYMBOLS ▽=0 ▽=0	GENERAL TOLERANCES (UNLESS SPECIFIED) 4 PLACES ± --- ± --- 3 PLACES ± --- ± --- 2 PLACES ± --- ± --- 1 PLACE ± --- ± --- ANGULAR ± 2 °	DIMENSION STYLE MM/IN DRAWN BY IRIS WANG DATE 1997/05/13 CHECKED BY IRIS DATE 1997/05/13 APPROVED BY MISEN DATE 1997/05/13	SCALE DESIGN UNITS METRIC	THIRD ANGLE PROJECTION
		DRAFT WHERE APPLICABLE MUST REMAIN WITHIN DIMENSIONS	MATERIAL NO. SEE TABLE	TITLE MCX PLUG STRAIGHT RG-316 50 OHM MCX-PC EWR-1468	MOLEX INCORPORATED
		SIZE C	THIS DRAWING CONTAINS INFORMATION THAT IS PROPRIETARY TO MOLEX INCORPORATED AND SHOULD NOT BE USED WITHOUT WRITTEN PERMISSION	DOCUMENT NO. SD-73366-002	SHEET NO. 1 OF 1
		MOLEX INCORPORATED			