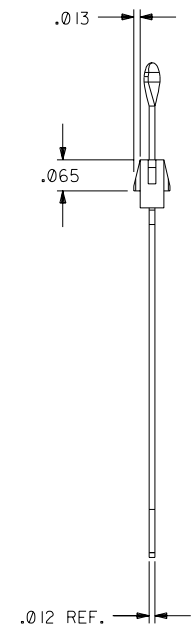
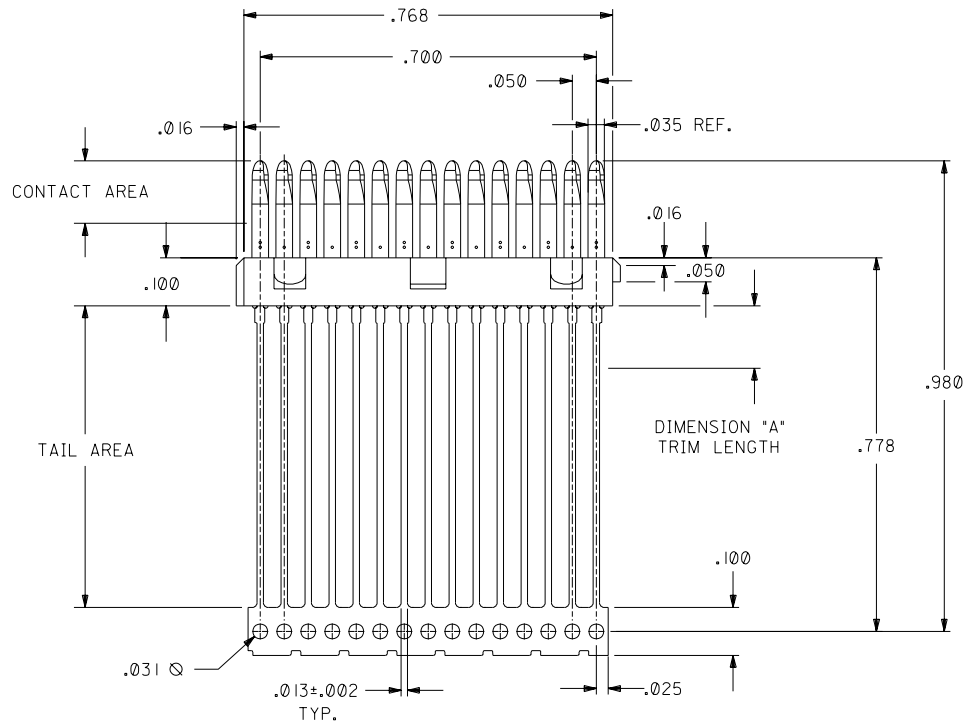
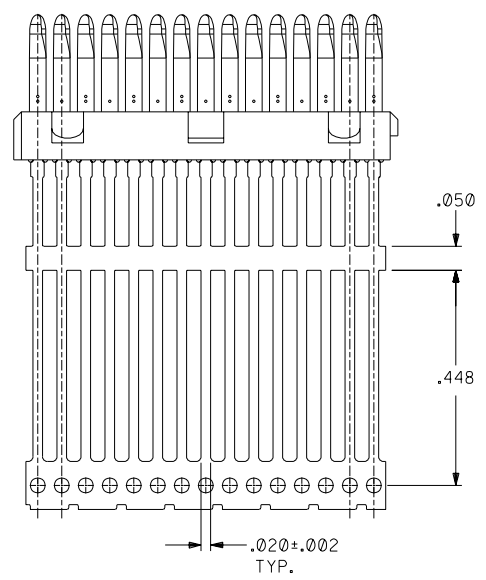


| PART NUMBER | ENGINEERING NUMBER | DIMENSION "A" | BUSBAR OPTION | PLATING | |
|-------------|--------------------|---------------|---------------|---|--|
| | | | | CONTACT AREA | TAIL AREA |
| 051-24-2021 | 70984-1001 | N/A | NO | .000030/(0.00076) MINIMUM GOLD OVER A NICKEL UNDERPLATE | .000100/(0.00254) MINIMUM TIN OVER A NICKEL UNDERPLATE |
| 051-24-2022 | 70984-1002 | .130±.010 | NO | .000030/(0.00076) MINIMUM GOLD OVER A NICKEL UNDERPLATE | .000100/(0.00254) MINIMUM TIN OVER A NICKEL UNDERPLATE |
| 70984-1007 | | N/A | YES | .000030/(0.00076) MINIMUM GOLD OVER A NICKEL UNDERPLATE | .000050/(0.00127) MINIMUM NICKEL |
| 70984-1010 | | N/A | YES | .000030/(0.00076) MINIMUM GOLD OVER A NICKEL UNDERPLATE | .000200/(0.00508) MINIMUM TIN OVER A NICKEL UNDERPLATE |
| 70984-1014 | | .130±.010 | NO | GOLD FLASH OVER A NICKEL UNDERPLATE | |

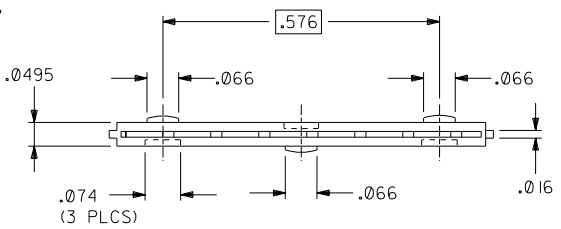
BUSBAR OPTION
(SEE CHART FOR PART #'S)



NOTES

- MATERIALS:
INSULATOR: GLASS FILLED LIQUID CRYSTAL POLYMER (LCP), UL 94V-0, COLOR: BLACK.
TERMINAL: PHOSPHOR BRONZE, .012 THICK.
PLATING: SEE CHART
- FOR PART NUMBERS AND PLATING OPTIONS, SEE CHART.
- PARTS CONFORM TO PRODUCT SPECIFICATION PS-70928.
- PACKAGED PER SPECIFICATION PK-70873-0335 APPLIES.

NOTE FOR LEAD FREE CONVERSION:
THE PRIMARY SHIPPING CARTON WILL BE LABELED "COMPLIANT TO ROHS DIRECTIVE 2002/95/EC AND ELV ANNEX II OF DIRECTIVE 2000/53/EC". CARTONS WITHOUT THIS LABEL MAY CONTAIN PRODUCT WITH LEAD.



DIMENSIONS ARE IN INCHES

| PLACES | TOLERANCE | INCH | METRIC |
|----------|-----------|-------|--------|
| 3 PLACES | ± .010 | --- | --- |
| 2 PLACES | ± --- | ± --- | --- |
| 1 PLACE | --- | ± --- | --- |

UNLESS OTHERWISE SPECIFIED TOLERANCES: ANGULAR ± 1/2°

FILE NAME: 570984X1.DGN
MFG. SH. REV. LTR. REVISIONS

TITLE: 15ck+ LFH PLUG INSERT MOLDED CONTACT ASSEMBLY - SALES DETAIL

MOLEX INCORPORATED
SHEET NO. 1 OF 1
DATE 08/04/93

DRWG. BY: SCHMIDGALL
CHK'D. BY: MOS
SCALE: 5:1

SEE CHART

SDA-70984-100*

| | |
|----|--|
| F | LEADFREE ECN# UCP2004-1998 DMORGAN 04/04/14 |
| E | ADD -1014 ASSY ECN UDT2002-0739 BBARKER 01/11/21 |
| D | REVISED UDT2001-1316 SCHMIDGA 05/18/01 |
| CI | REVISED PER ECN U6-1240 04/09/96 DRS |
| C | REVISED PER ECN U6-0746 1/30/95 MOS |
| B | ADDED PART NO. PER ECN U4-0497 04/20/94 MOS |
| AI | ADDED PART NO. PER ECN U3-1261 09/14/93 DRS |
| A | FIRST RELEASE PER ECN U3-1063 7.12.93 MOS |

70984