



PRODUCT DATASHEET

Larisa series

last update 9/12/2016

DETAILS

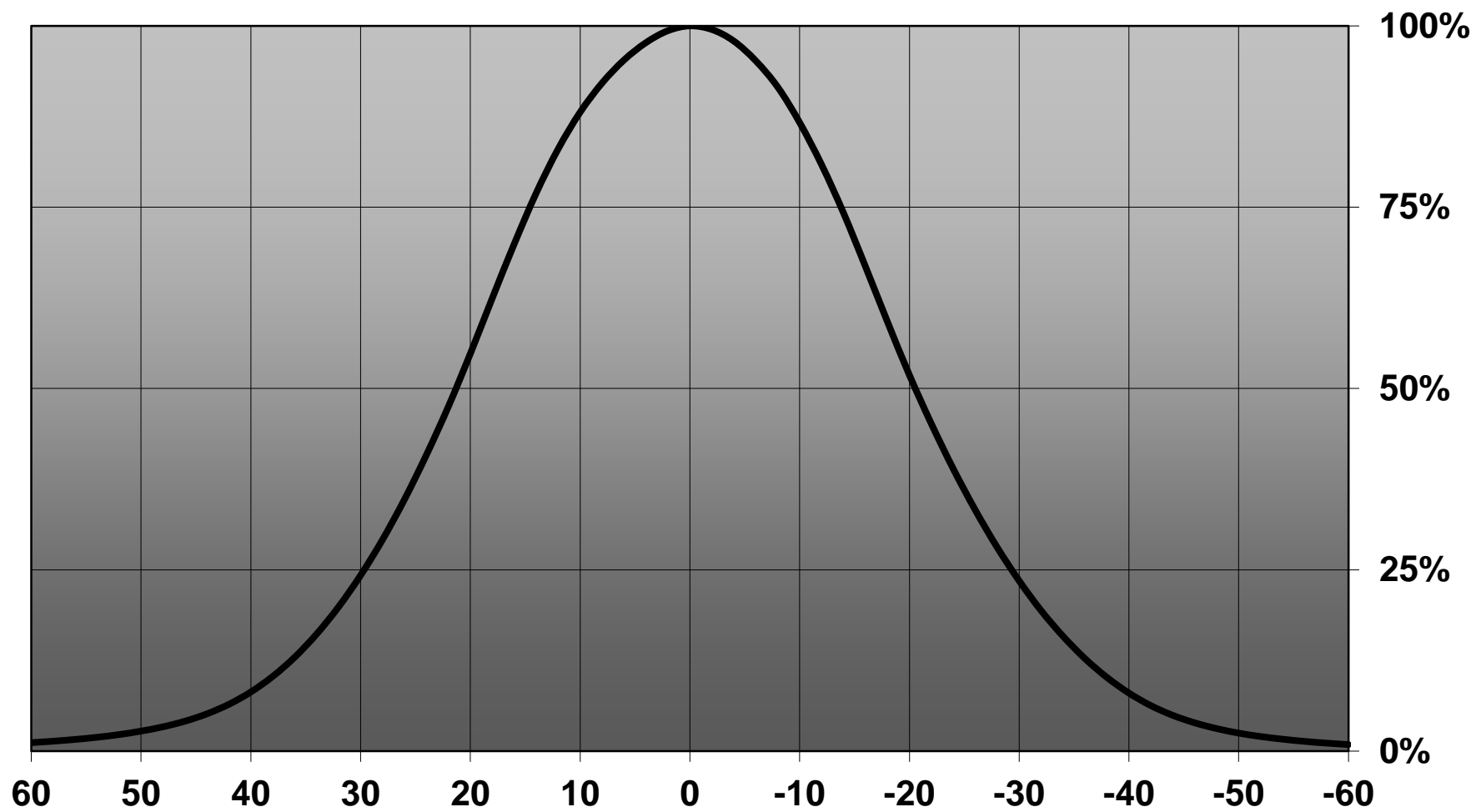
Product Number	CP13137_LARISA-W-CLIP16
Family	Larisa
Type	Assembly
Color	black
Diameter	9,9 + 9,9 mm
Height	7,3 mm
Style	square
Optic Material	PMMA
Holder Material	
Fastening	
Status	production ready
ROHS Compliant	Yes
Date Updated	9/12/2016



OPTICAL PROPERTIES

LED	Viewing Angle	Light Beam	Efficiency	cd/lm	Connector
NF2x757A	40 deg	Wide	89 %	1.600	-
NF2x757D	41 deg	Wide	86 %	1.500	-

Relative intensity of CP13137_LARISA-W (NF2x757D)



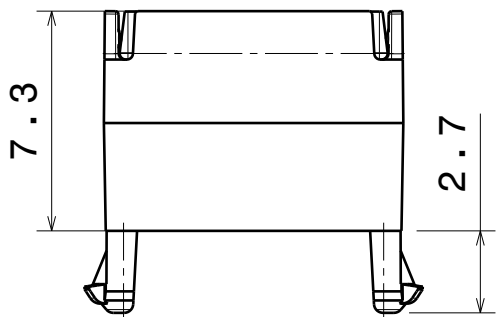
D

C

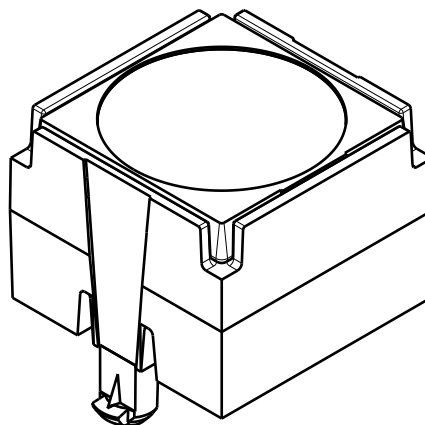
B

A

4

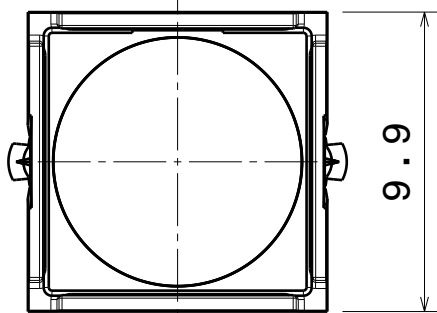


Front view

Isometric view
Scale: 4:1

3

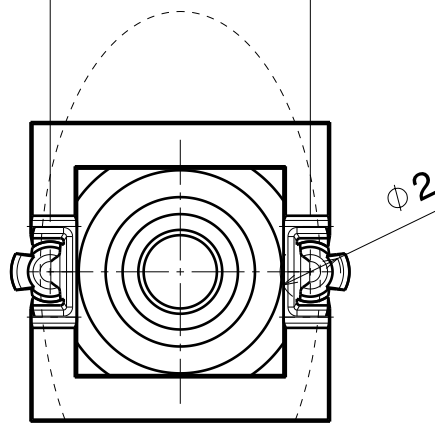
9.9



Top view

8.6

c / c



Bottom view

Oval beam direction

2

2

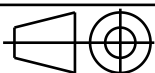
INDEX	PART NO	DESCRIPTION	MATERIAL	COLOUR
1	-	LARISA lens	PMMA	
2	C13124	LARISA-HLD-B-CLIP16	PC	black

Tolerances if not otherwise shown
According to DIN ISO 2768-1
Linear measures:
Up to 30mm class M, otherwise class C.
According to DIN ISO 2768-2
Form and position: class L

LEDiL

Ledil Oy
Salorankatu 10
FIN 24240 SALO
Finland

THIRD ANGLE PROJECTION:



DRAWING TITLE

LARISA-CLIP16-B

This drawing is the property
of LEDiL Oy. It may not be
reproduced, copied or
communicated without a written
agreement with LEDiL Oy.

SIZE PART NUMBER

A4

-

SCALE

4:1

WEIGHT

0,6 g

SHEET

1/1

1

1

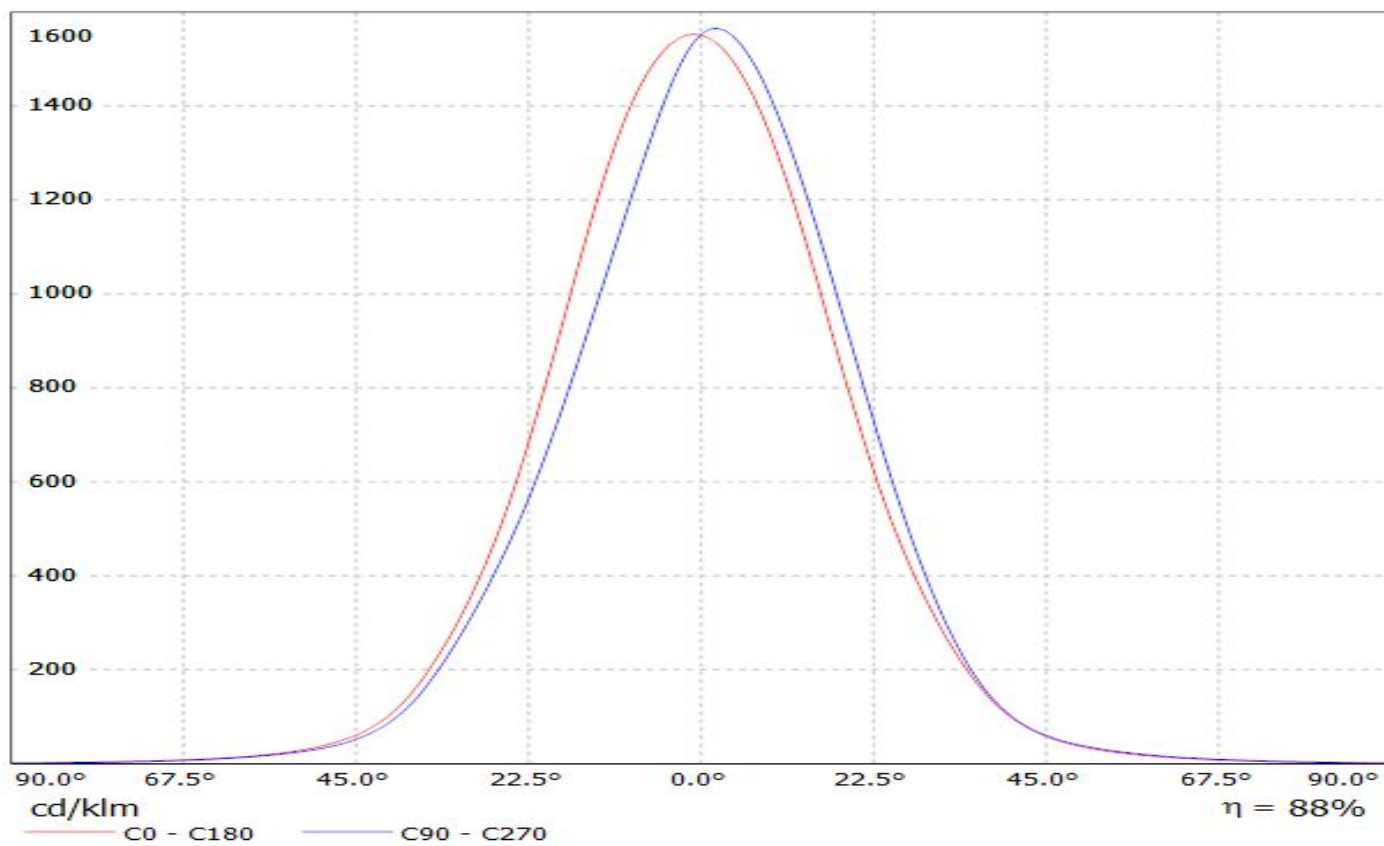
D

A

LEDiL Oy CP13137_LARISA-W-CLIP16_(N757) Eff.88.0% / LDC (Linear)

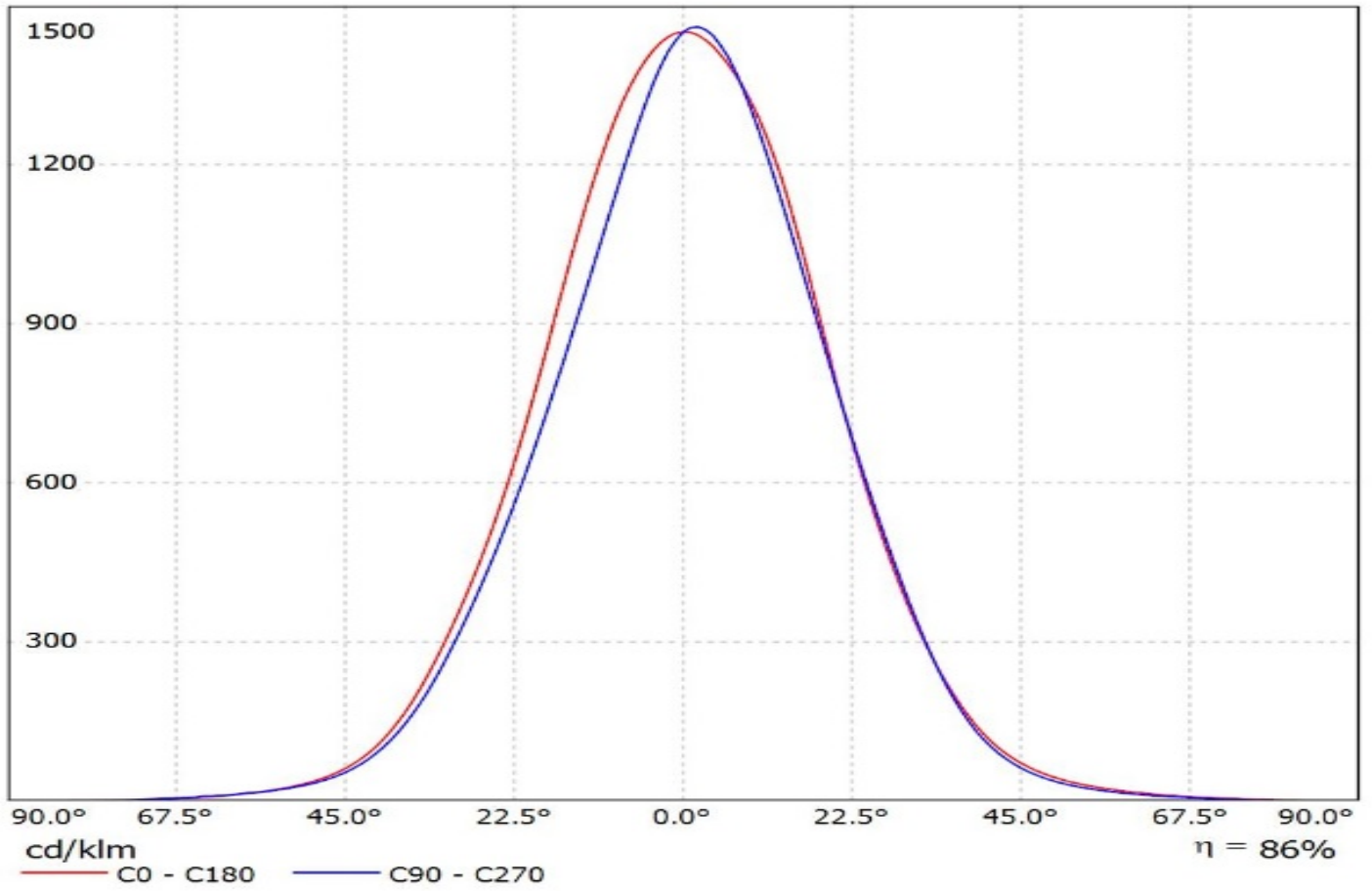
Luminaire: LEDiL Oy CP13137_LARISA-W-CLIP16_(N757) Eff.88.0%

Lamps: 1 x N757 (70.0194lm@100mA)



Luminaire: Ledil CP13137_LARISA-W-CLIP16_(NF2x757D)

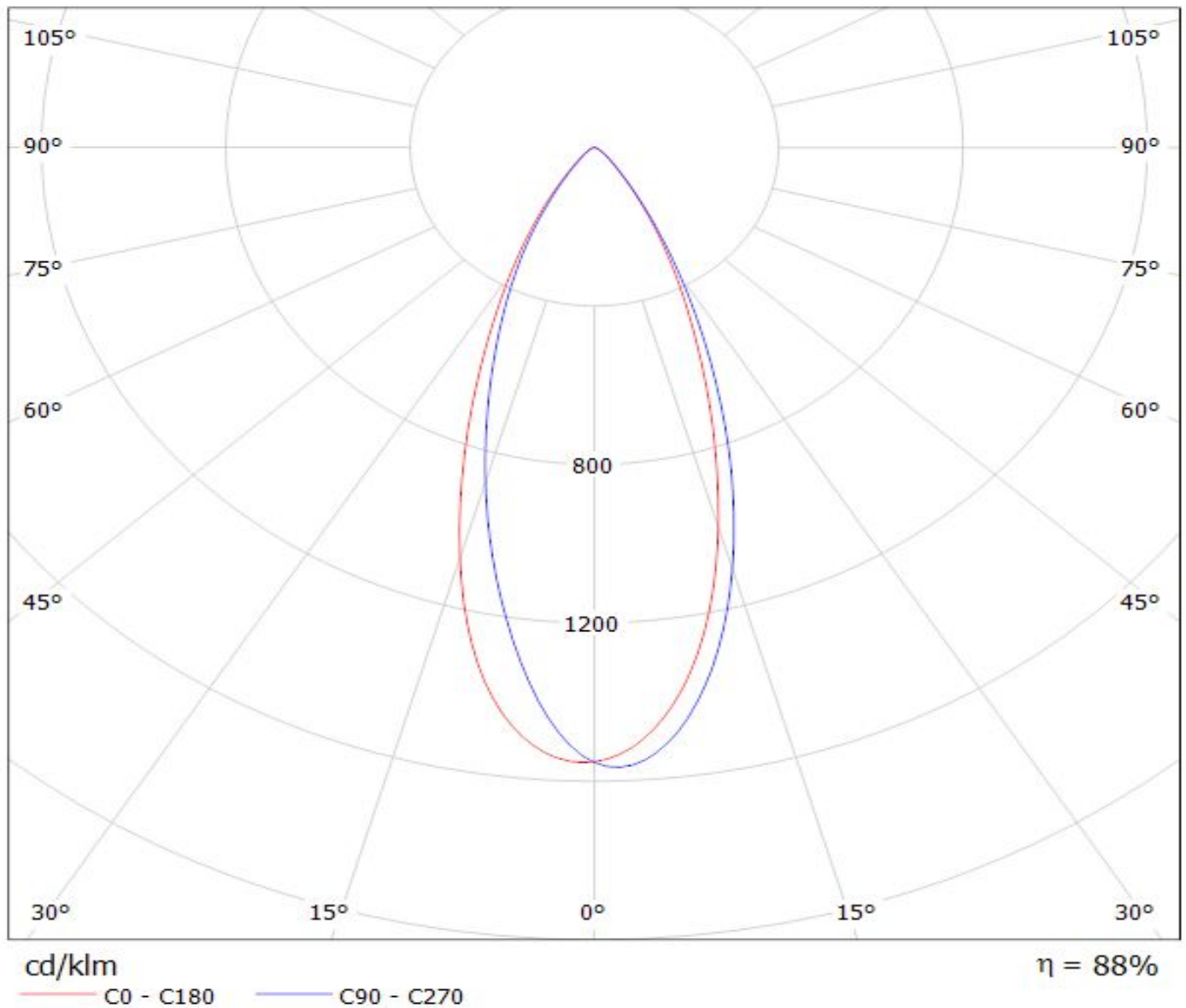
Lamps: 1 x Nichia_NF2x757D_(NF2W757DRE)_52.331lm@65mA_P=0.374835W_I=0.065A



LEDiL Oy CP13137_LARISA-W-CLIP16_(N757) Eff.88.0% / LDC (Polar)

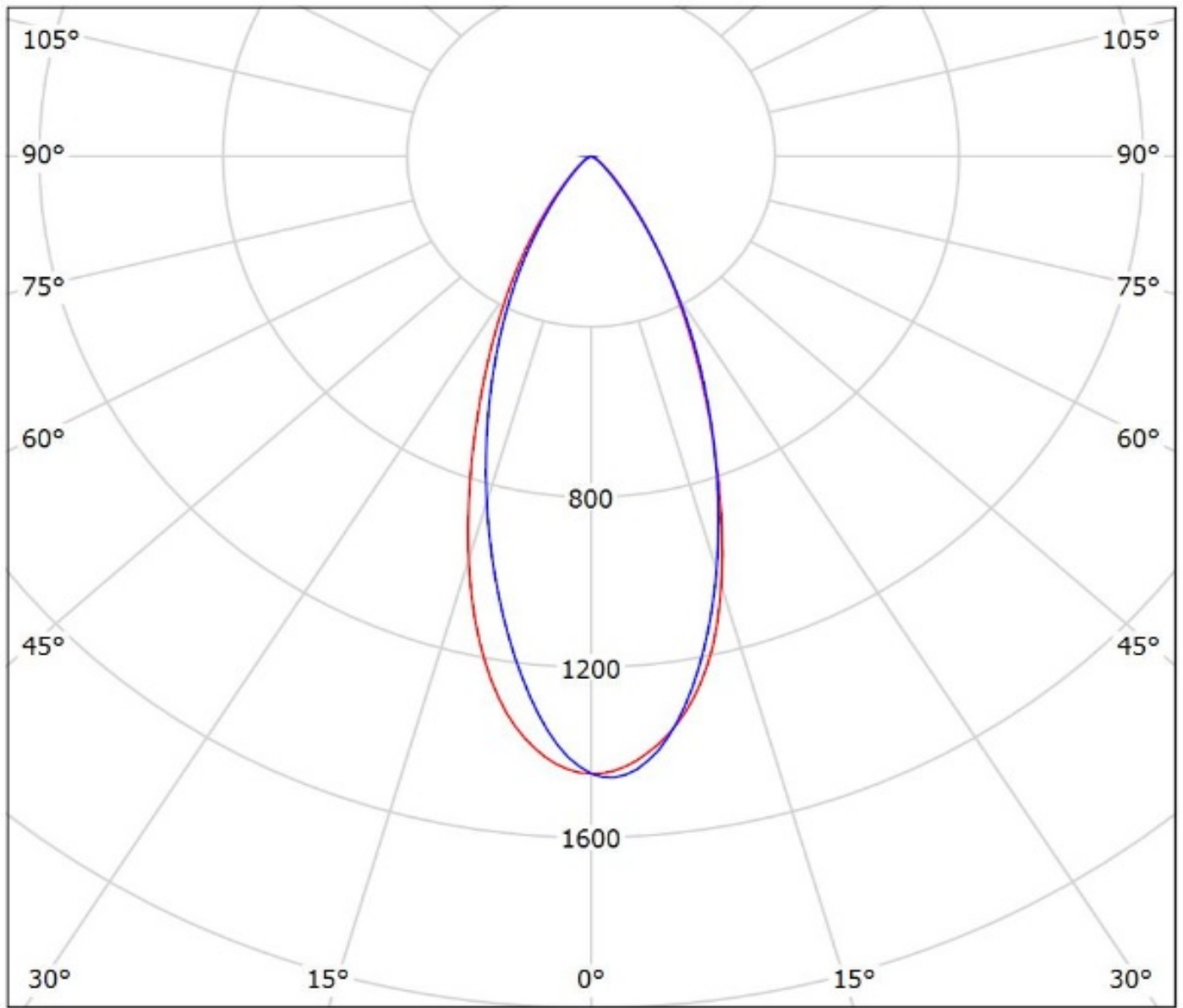
Luminaire: LEDiL Oy CP13137_LARISA-W-CLIP16_(N757) Eff.88.0%

Lamps: 1 x N757 (70.0194lm@100mA)



Luminaire: Ledil CP13137_LARISA-W-CLIP16_(NF2x757D)

Lamps: 1 x Nichia_NF2x757D_(NF2W757DRE)_52.331lm@65mA_P=0.374835W_I=0.065A



cd/klm

— C0 - C180 — C90 - C270

$\eta = 86\%$

NOTE: The typical divergence will be changed by different color, chip size and chip position tolerance. The typical total divergence is the full angle measured where the luminous intensity is half of the peak value.