

Model No: FSL-1220R02-08
 Product Line: Tymphany

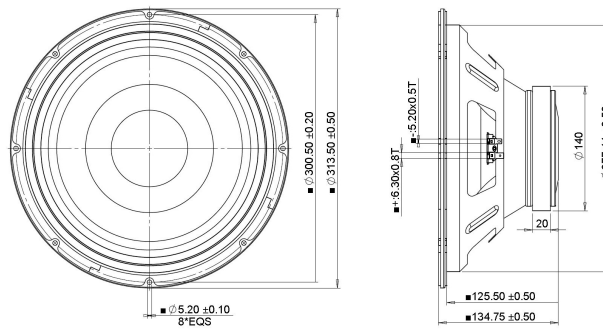
Rev: 1
 Last Update: 2017-04-21 12:39:42

Product Description

This 12 inch 8 ohm speaker features a FEA optimized ferrite magnet motor, a 2 inch high-temperature voice coil, the yoke with vent can cool magnet system, and a high strength stamped steel frame. The multi-roll surround and spider have been optimized to reduce distortion over the excursion range of this transducer.



Mechanical Drawing



Specifications

DC Resistance	Revc	Ohms	5.76	5.0%	Energy Bandwidth Product	EBP	(1/Qes)*fs
Minimum Impedance	Zmin	Ohms	7.73	7.5%	Moving Mass	Mms	g
Voice Coil Inductance	Le	mH	0.66		Suspension Compliance	Cms	um/N
Resonant Frequency	Fs	Hz	66.97	15%	Effective Cone diameter	D	cm
Mechanical Q Factor	Qms		4.76		Effective Piston Area	Sd	cm ²
Electrical Q Factor	Qes		0.58		Effective Volume	Vas	L
Total Q Factor	Qts		0.51		Motor Force Factor	BL	Tm
Ratio Fs/Qts	F	Fs/Qts	130.54		Motor Efficiency Factor	β	(T*M ²)/Ohms
Half Space Sensitivity @ 2.83V	db@2.83V/1M	dB	96.28	+/- 1.0db	Voice coil former Material	VCfm	KSV
Half Space Sensitivity @ 1W/1M	db@1W/1M	dB	96.1	+/- 1.0db	Voice coil inner diameter	VCd	mm
Gap Height	Gh	mm	8		Rated Noise Power	P	W
Maximum Linear Excursion	Xmax	mm	2.4		Test Spectrum Bandwidth		60Hz-600Hz
Ferrofluid Type	FF				Driver Size	Inch	12 in
Driver Mass	Kg		3.8				

Frequency and Impedance Response



Highcharts.com