

DO NOT SCALE

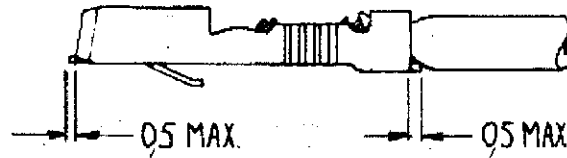
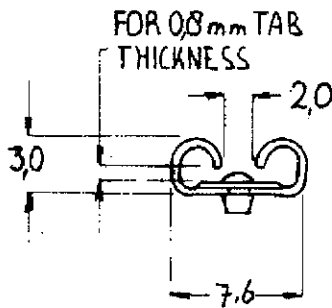
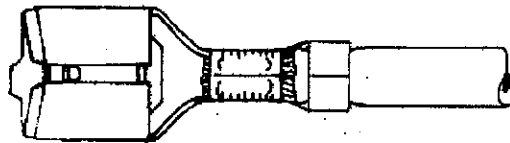
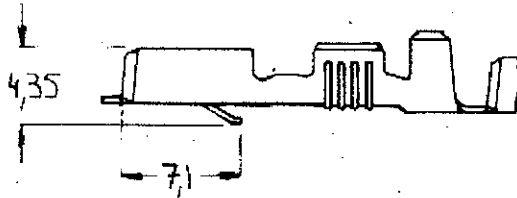
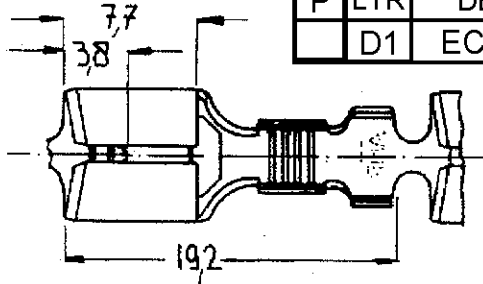
DIMENSIONS IN mm

METRIC

THIRD ANGLE PROJECTION



P	LTR	DESCRIPTION	DATE	DWN	APVD
	D1	ECO-09-025699	05FEB10	KK	HMR



- NOTES: **1** FOR USE ON STANDARD AND MINIATURE APPLICATION
2 REELED WITH PAPER COVER
3 OBSOLETE PARTS: OBSOLETE CIS STREAMLINING PER D.RENAUD/D.SINISI

OBSOLETE	FINISH	MATERIAL	PART NUMBER
3	PRE-TIN PLATED	PHOSPHOR BRONZE	6-160870-8
GENERAL TOLERANCES ±0.3			
3	PRE-TIN PLATED	BRASS	6-160870-7
	TIN PLATED	PHOSPHOR BRONZE	160870-4
	UNPLATED	PHOSPHOR BRONZE	-3
3	TIN PLATED	BRASS	-2
	UNPLATED	BRASS	160870-1
	NOTES	FINISH	MATERIAL

CUSTOMER DRAWING

FOR REFERENCE ONLY WILL NOT BE UPDATED



Tyco Electronics AMP
Barcelona, Spain

THIS DRAWING IS UNPUBLISHED RELEASED FOR PUBLICATION

COPYRIGHT 1984 BY AMP-HOLLAND B.V.
ALL INTERNATIONAL RIGHTS RESERVED
AMP PRODUCTS MAY BE COVERED BY U.S. AND FOREIGN PATENTS AND/OR PATENTS PENDING

DR	WIRE RANGE	NAME	REV DATE
L.V.D. HEYDEN 17.12.84	0.5-1.0 mm ²	63 SERIES FASTIN-FASTON RECEPTACLE	D M Y
CHK <i>[Signature]</i> 20/12.84	INSUL RANGE 2.0-3.3 DIA.		17 01 03
APP <i>[Signature]</i> 24.1.85	SIZE A4	SHEET 1 OF 1	DRAWING NO C-160870
			REV LTR D1