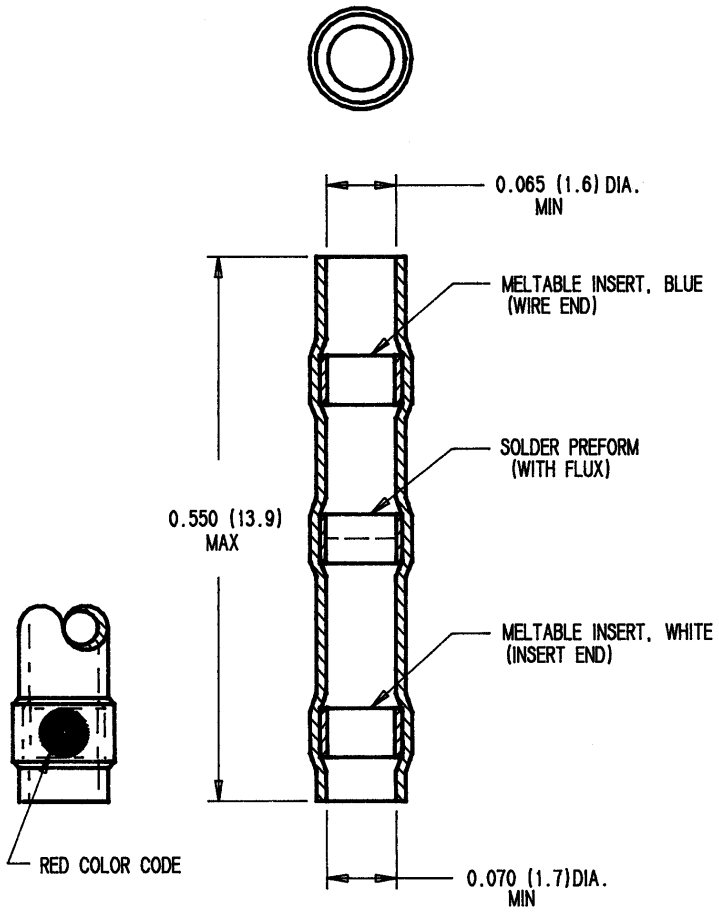


REVISIONS		DATE	APPROVED
LTR	DESCRIPTION		
B	REVISED PER ECN #1-6562	5-22-86	93



← **FIGURE 1**

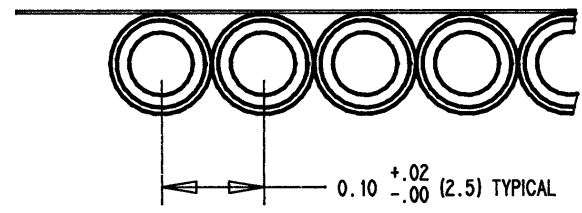
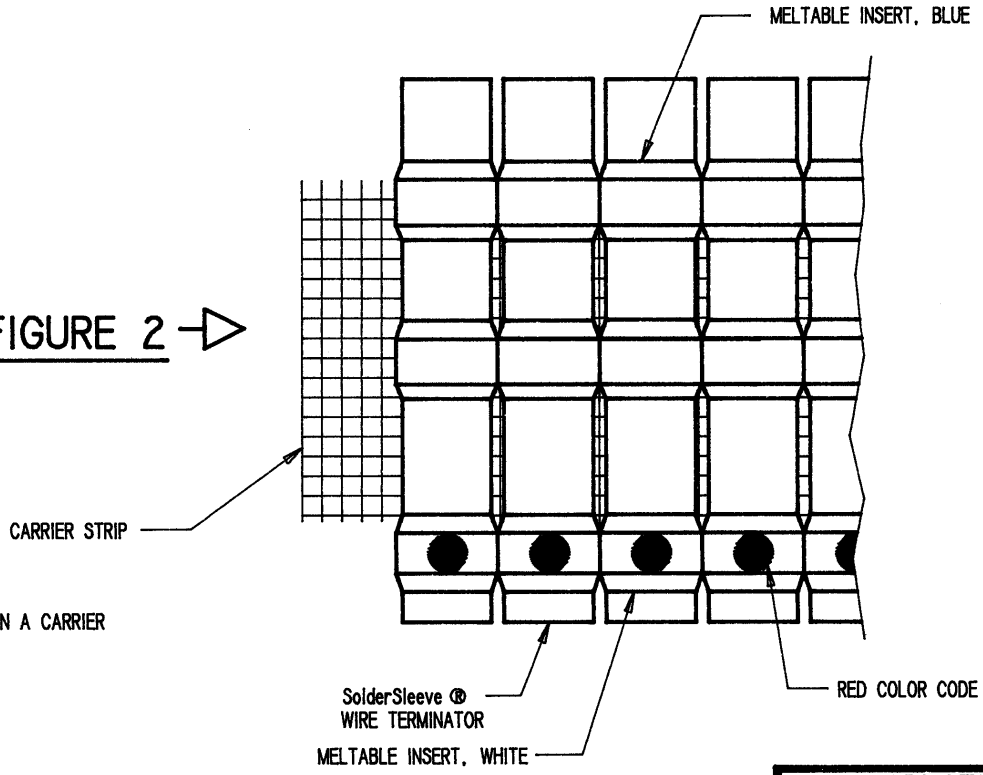


FIGURE 2 →



5. CTA-0099 IS SUPPLIED ON A CARRIER STRIP PER FIG. 2. STANDARD PACKAGING QUANTITY IS 1000 PIECES ON A CARRIER STRIP. OTHER QUANTITIES SUPPLIED PER SPECIFICATION.
4. WEIGHT (MAX): 0.00013 LBS. [0.06 GR.] (INDIVIDUAL PIECE).
3. CONFIGURATION CONTROL PER ES 71001 APPLIES.
2. THIS SLEEVE IS DESIGNED TO ATTACH 20 THROUGH 22 GAGE TIN OR SILVER PLATED CONDUCTORS TO TERMINALS OF A **Raychem** MTC100 SERIES INSERT.

1. MATERIAL:
 - A. INSULATION SLEEVE: HEAT SHRINKABLE, RADIATION CROSSLINKED MODIFIED POLYVINYLIDENE FLUORIDE, TRANSPARENT BLUE.
 - B. SOLDER PREFORM: SOLDER TYPE: Sn63
FLUX TYPE: RA
PER QQ-S-571
 - C. MELTABLE INSERTS: LOW OUTGASSING IMMERSION RESISTANT THERMOPLASTIC.

NOTES:

If this document is printed it becomes uncontrolled.
Check with the web for latest revision.

PRE-PRODUCTION

SPECIFICATION CONTROL DRAWING

© Raychem Corporation 1986
V.L.G.L.V.C.TA.V0099SCD.DRW

DRAWN	LUTHERBY	4-30-86	Raychem RAYCHEM CORPORATION 300 CONSTITUTION DRIVE MENLO PARK, CALIFORNIA 94025
CHECKED	J.B.	5-1-86	
APPROVED	J.B.	5-1-86	
APPROVED	J.C.	5-1-86	
UNLESS OTHERWISE SPECIFIED DIMENSIONS ARE IN INCHES. METRIC DIMENSIONS ARE IN PARENTHESES			TITLE SolderSleeve® WIRE TERMINATOR FOR 20-22 GAGE WIRE SIZE TEMPERATURE RATING 125° C MTC100 SERIES
DO NOT SCALE THIS DRAWING			SIZE C CODE IDENT. NO. 06090 DWG. NO. CTA-0099 WEIGHT SHEET 1 OF 1

(CONFIGURATION CONTROL)