

FCI CONFIDENTIAL

List of "HFW__R-1/2STE9LF" customer document

DOCUMENT NO.	LIST
10101162(SHEET1)	DOCUMENT LIST
10101162(SHEET2)	CAT.NO.TABLE FOR 1mm SPACING SMT CONNECTOR (HFW__R-1/2ST__LF)
10101162(SHEET3)	1mm SPACING SMT CONNECTOR (HFW__R-1ST_LF)
10101162(SHEET4)	1mm SPACING SMT CONNECTOR (HFW__R-2ST_LF)
10101162(SHEET5)	CAT.NO.TABLE FOR PLASTIC TAPE PACKAGED 1mm SPACING SMT CONNECTOR (HFW__R-1/2STE9LF)
10101162(SHEET6)	PLASTIC TAPE PACKAGED 1mm SPACING SMT CONNECTOR (HFW__R-1STE9LF)
10101162(SHEET7)	PLASTIC TAPE PACKAGED 1mm SPACING SMT CONNECTOR (HFW__R-2STE9LF)
10101162(SHEET8)	RECOMMENDED CABLE (FPC) (HFW__R-1/2ST__)
10101162(SHEET9)	RECOMMENDED CABLE (FFC) (HFW__R-1/2ST__)
SC-HFWR02	PRODUCT SPECIFICATION
BJM HFWR101	HANDLING PROCEDURES

This document is the property of and embodies CONFIDENTIAL and PROPRIETARY information of FCI. No part of the information shown on this document may be used in any way or disclosed to others without the written consent of FCI.
 Copyright FCI.

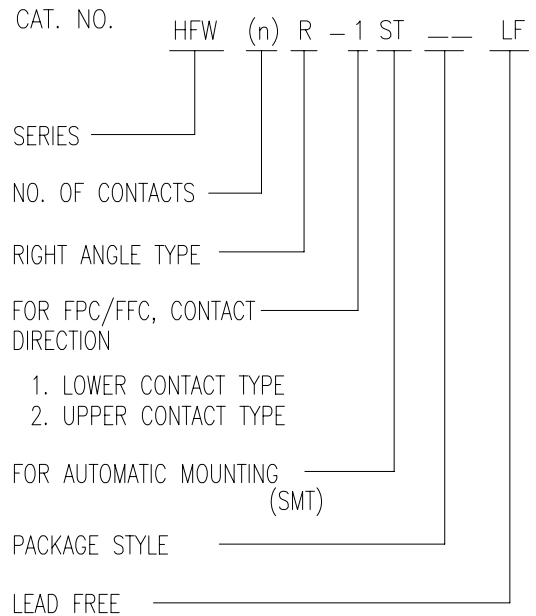


FCIconnect.com

mat'l. code				surface ISO 1302 <input checked="" type="checkbox"/>			tolerance ISO 406 ISO 1101			projection 		product family 58NF			CODE JP		
ltr A				ecn no S09-0139			dr DGOH			date 09-05-06			title 1mm SPACING SMT CONNECTOR DOCUMENT LIST (Cat. No. : HFW__R-1/2STE9LF)				
				tolerances unless otherwise specified			angles linear			mm 							
				dr DENNIS GOH			09-05-06					dwg no 10101162			sheet 1 of 9		size A4
				enr DENNIS GOH			09-05-06					type Product Customer Drawing					
				chr DENNIS GOH			09-05-06										
				appd JOEY NG			09-05-06										
sheet index		revision sheet		A	A	A	A	A	A	A	A	A	A	A	A	Rev. A	

CAT. NO. & DIMENSIONS

(NOTE3)	NO. OF CONTACTS (n)	CAT. NO.	DIMENSIONS (NOTE2)		
			A ± 0.2	B ± 0.2	C ± 0.1
	4	HFW4R-1/2ST__LF	6.6	3	5.14
	5	HFW5R-1/2ST__LF	7.6	4	6.14
	6	HFW6R-1/2ST__LF	8.6	5	7.14
	7	HFW7R-1/2ST__LF	9.6	6	8.14
	8	HFW8R-1/2ST__LF	10.6	7	9.14
	9	HFW9R-1/2ST__LF	11.6	8	10.14
	10	HFW10R-1/2ST__LF	12.6	9	11.14
	11	HFW11R-1/2ST__LF	13.6	10	12.14
	12	HFW12R-1/2ST__LF	14.6	11	13.14
	13	HFW13R-1/2ST__LF	15.6	12	14.14
	14	HFW14R-1/2ST__LF	16.6	13	15.14
	15	HFW15R-1/2ST__LF	17.6	14	16.14
	16	HFW16R-1/2ST__LF	18.6	15	17.14
	17	HFW17R-1/2ST__LF	19.6	16	18.14
	18	HFW18R-1/2ST__LF	20.6	17	19.14
	19	HFW19R-1/2ST__LF	21.6	18	20.14
	20	HFW20R-1/2ST__LF	22.6	19	21.14
	21	HFW21R-1/2ST__LF	23.6	20	22.14
	22	HFW22R-1/2ST__LF	24.6	21	23.14
	23	HFW23R-1/2ST__LF	25.6	22	24.14
	24	HFW24R-1/2ST__LF	26.6	23	25.14
	25	HFW25R-1/2ST__LF	27.6	24	26.14
	26	HFW26R-1/2ST__LF	28.6	25	27.14
	27	HFW27R-1/2ST__LF	29.6	26	28.14
*	28	HFW28R-1/2ST__LF	30.6	27	29.14
*	29	HFW29R-1/2ST__LF	31.6	28	30.14
	30	HFW30R-1/2ST__LF	32.6	29	31.14



NOTES

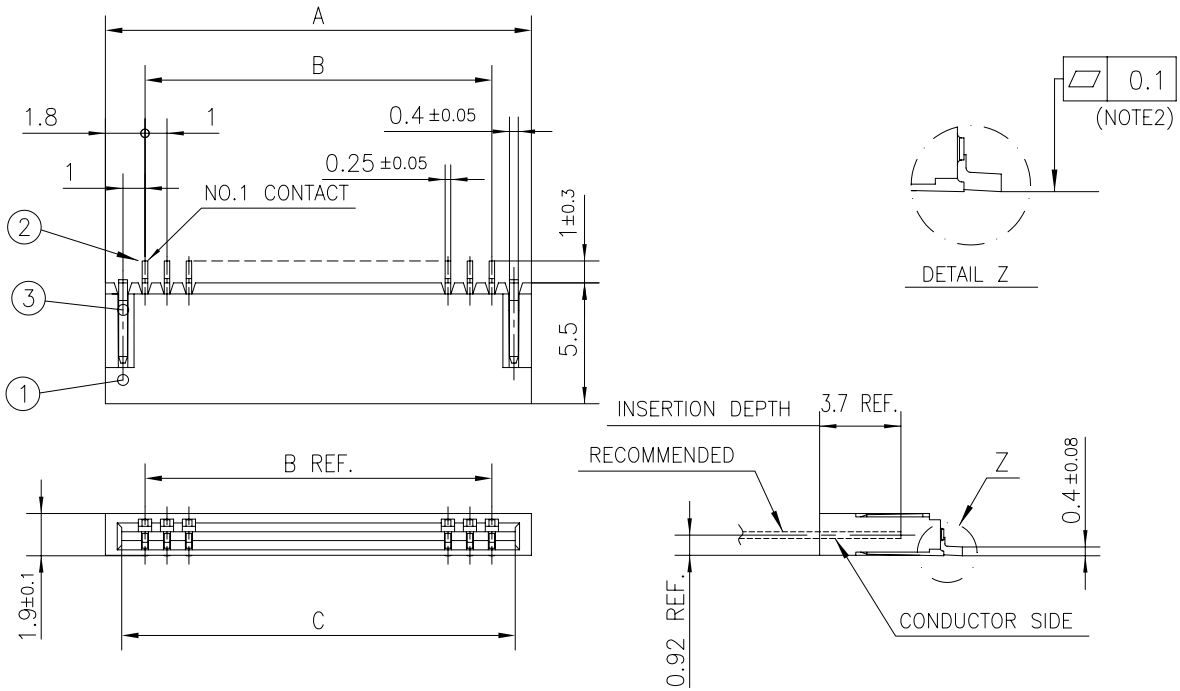
1. THIS PRODUCT IS THE CONNECTOR DESIGNED TO TERMINATE FPC/FFC AND COPE WITH AUTOMATIC MOUNTING (SMT).
2. SEE PART DRAWINGS FOR DIMENSIONS A~C.
3. PLEASE CONSULT US IN CASE OF USING PARTS WITH * MARK.

mat'l. code				surface 58 / tolerance ISO 1302 ISO 406 ISO 1101		projection		product family 58NF		CODE JP	
ltr A				tolerances unless otherwise specified		mm		title CAT. NO. TABLE FOR 1mm SPACING SMT CONNECTOR (Cat. No. HFW__R-1/2ST__LF)			
dr				DENNIS GOH		09-05-06		dwg no 10101162		sheet 2 of 9 size A4	
engr				DENNIS GOH		09-05-06		type Product Customer Drawing			
chr				DENNIS GOH		09-05-06					
appd				JOEY NG		09-05-06					
sheet index		revision sheet								Rev. A	



FCIconnect.com

Copyright FCI.



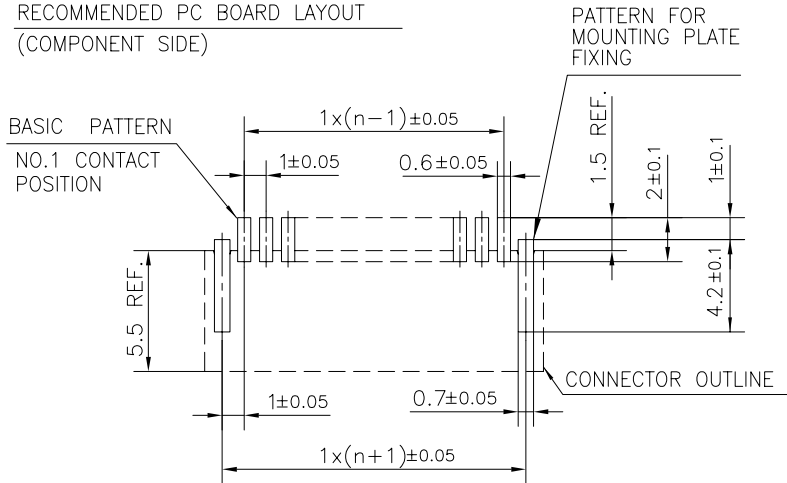
PT. NO.	PARTS NAME	MATERIAL	Q'TY	NOTE
1	HOUSING	PA6T RESIN GLASS REINFORCED (UL94V-0)	1	COLOR:BLACK
2	CONTACT	PHOSPHOR BRONZE	n	PLATING:TIN
3	MOUNTING PLATE		2	(LEAD FREE)

n : NO. OF CONTACTS

NOTES

1. THIS PRODUCT IS THE CONNECTOR DESIGNED TO TERMINATE FPC/FFC AND COPES WITH AUTOMATIC MOUNTING (SMT).
2. FLATNESS OF CONTACT TERMINAL FOR HOUSING MUST BE WITHIN TOLERANCE IN Z PORTION DETAILED DRAWING.
3. THIS PRODUCT IS LOWER CONTACT TYPE CONNECTOR.
4. THIS PRODUCT MEETS EUROPEAN UNION DIRECTIVES AND OTHER COUNTRY REGULATIONS AS DESCRIBED IN GS-22-008
5. THE HOUSING WILL WITHSTAND EXPOSURE TO 260°C PEAK TEMPERATURE FOR 10 SECONDS IN A REFLOW SOLDERING OVEN.

RECOMMENDED PC BOARD LAYOUT (COMPONENT SIDE)



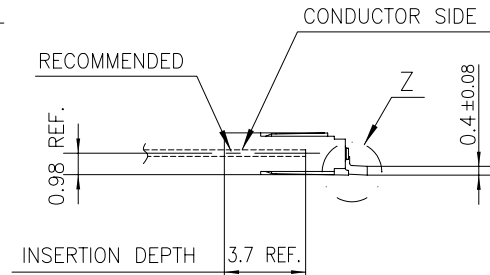
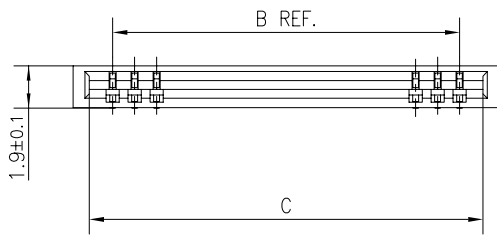
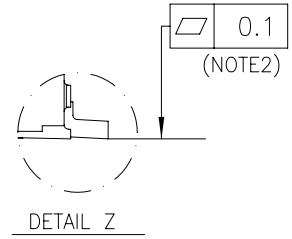
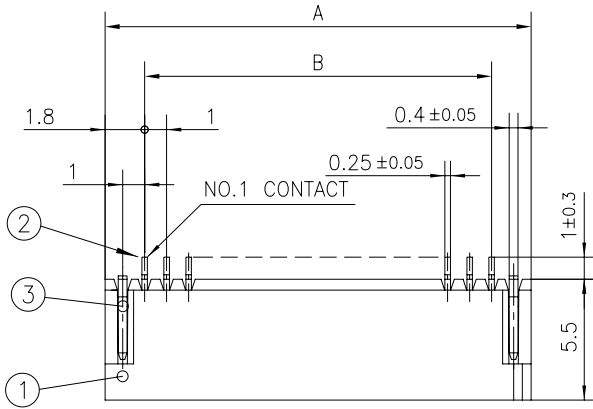
mat'l. code		surface 58 / tolerance ISO 1302 / ISO 406 / ISO 1101		projection		product family 58NF		CODE JP	
ltr A		ecn no		dr		date		tolerances unless otherwise specified ±0.2	
angles		linear		mm		scale		title	
dr DENNIS GOH		09-05-06		engr DENNIS GOH		09-05-06		1mm SPACING SURFACE MOUNT FPC/FFC CONNECTOR (Cat.No. HFW__R-1ST__LF)	
chr DENNIS GOH		09-05-06		appd JOEY NG		09-05-06		dwg no 10101162	
sheet index		revision sheet		type Product Customer Drawing		sheet 3 of 9		size A4	
Rev. A									



FCIconnect.com

Copyright FCI.

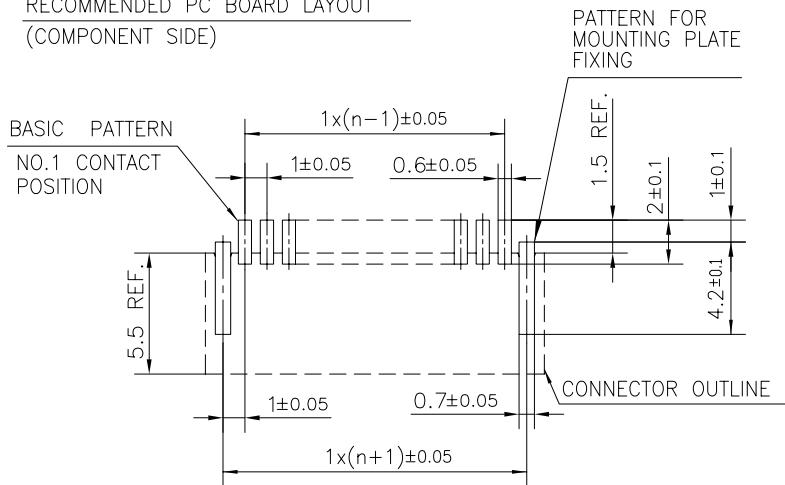




PT. NO.	PARTS NAME	MATERIAL	Q'TY	NOTE
1	HOUSING	PA6T RESIN GLASS REINFORCED (UL94V-0)	1	COLOR:BLACK
2	CONTACT	PHOSPHOR BRONZE	n	PLATING:TIN
3	MOUNTING PLATE		2	(LEAD FREE)

n : NO. OF CONTACTS

RECOMMENDED PC BOARD LAYOUT (COMPONENT SIDE)



NOTES

1. THIS PRODUCT IS THE CONNECTOR DESIGNED TO TERMINATE FPC/FFC AND COPES WITH AUTOMATIC MOUNTING (SMT).
2. FLATNESS OF CONTACT TERMINAL FOR HOUSING MUST BE WITHIN TOLERANCE IN Z PORTION DETAILED DRAWING.
3. THIS PRODUCT IS UPPER CONTACT TYPE CONNECTOR.
4. THIS PRODUCT MEETS EUROPEAN UNION DIRECTIVES AND OTHER COUNTRY REGULATIONS AS DESCRIBED IN GS-22-008
5. THE HOUSING WILL WITHSTAND EXPOSURE TO 260°C PEAK TEMPERATURE FOR 10 SECONDS IN A REFLOW SOLDERING OVEN.

mat'l. code		surface 58 / tolerance ISO 1302 / ISO 406 / ISO 1101		projection		product family 58NF		CODE JP	
ltr	ecn no	dr	date	tolerances unless otherwise specified ±0.2		title 1mm SPACING SURFACE MOUNT FPC/FFC CONNECTOR (Cat. No. HFV__R-2ST__LF)			
A				angles linear	mm	scale			
		dr	DENNIS GOH	09-05-06		dwg no 10101162		sheet 4 of 9	
		enr	DENNIS GOH	09-05-06		type Product Customer Drawing		size A4	
		chr	DENNIS GOH	09-05-06					
		appd	JOEY NG	09-05-06					
sheet index	revision sheet								Rev. A



FCIconnect.com

Copyright FCI.

CAT. NO. & DIMENSIONS

(NOTE4)	NO. OF CONTACTS (n)	CAT. NO. (NOTE2)	DIMENSIONS (NOTE3)		
			E max.	F ± 0.3	G ± 0.1
	4	HFW4R-1/2STE9LF	30.4	24	—
	5	HFW5R-1/2STE9LF	30.4	24	—
	6	HFW6R-1/2STE9LF	30.4	24	—
	7	HFW7R-1/2STE9LF	30.4	24	—
	8	HFW8R-1/2STE9LF	30.4	24	—
	9	HFW9R-1/2STE9LF	30.4	24	—
	10	HFW10R-1/2STE9LF	30.4	24	—
	11	HFW11R-1/2STE9LF	30.4	24	—
	12	HFW12R-1/2STE5LF	30.4	24	—
	13	HFW13R-1/2STE9LF	30.4	24	—
	14	HFW14R-1/2STE9LF	30.4	24	—
	15	HFW15R-1/2STE9LF	38.4	32	28.4
	16	HFW16R-1/2STE9LF	38.4	32	28.4
	17	HFW17R-1/2STE9LF	38.4	32	28.4
	18	HFW18R-1/2STE9LF	38.4	32	28.4
	19	HFW19R-1/2STE9LF	50.4	44	40.4
	20	HFW20R-1/2STE9LF	50.4	44	40.4
	21	HFW21R-1/2STE9LF	50.4	44	40.4
	22	HFW22R-1/2STE9LF	50.4	44	40.4
	23	HFW23R-1/2STE9LF	50.4	44	40.4
	24	HFW24R-1/2STE9LF	50.4	44	40.4
	25	HFW25R-1/2STE9LF	50.4	44	40.4
	26	HFW26R-1/2STE9LF	50.4	44	40.4
	27	HFW27R-1/2STE9LF	50.4	44	40.4
*	28	HFW28R-1/2STE9LF	50.4	44	40.4
*	29	HFW29R-1/2STE9LF	50.4	44	40.4

CAT. NO. HFW (n) R - 1 ST E9 LF

SERIES

NO. OF CONTACTS

RIGHT ANGLE TYPE

FOR FPC/FFC, CONTACT DIRECTION

1. LOWER CONTACT TYPE
2. UPPER CONTACT TYPE

FOR AUTOMATIC MOUNTING (SMT)

TAPE PACKAGING FOR E9 (500pcs PER REEL)

LEAD FREE

NOTES

1. THIS PRODUCT IS THE CONNECTOR DESIGNED TO TERMINATE FPC/FFC AND COPE WITH AUTOMATIC MOUNTING (SMT).
2. THIS CATALOG NO. INDICATES PLASTIC TAPE PACKAGED CONNECTOR.
3. SEE PART DRAWINGS FOR DIMENSIONS E~G.
4. PLEASE CONSULT US IN CASE OF USING PARTS WITH * MARK.

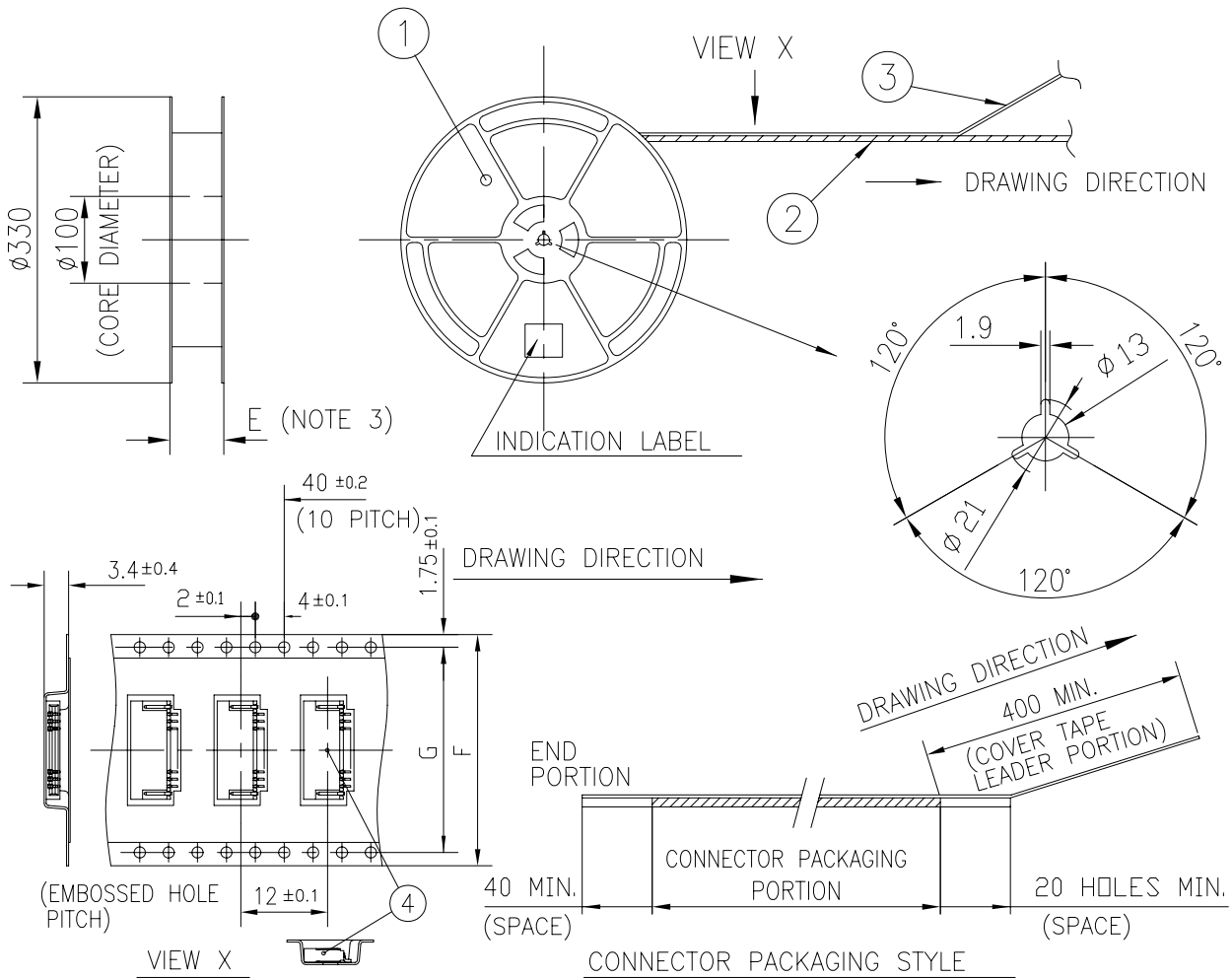
mat'l. code		surface 58/ISO 1302		tolerance ISO 406 ISO 1101		projection		product family 58NF		CODE JP	
ltr A		ecn no		dr		date		title		CAT. NO. TABLE FOR PLASTIC TAPE PACKAGED 1mm SPACING SMT CONN. (Cat.No. HFW__R-1/2STE9LF)	
angles		linear		mm		scale		dwg no 10101162		sheet 5 of 9 size A4	
dr		DENNIS GOH		09-05-06		enr		DENNIS GOH		09-05-06	
chr		DENNIS GOH		09-05-06		appd		JOEY NG		09-05-06	
sheet index		revision sheet		type		Product Customer Drawing		Rev. A		D	



FCIconnect.com

Copyright FCI.





PT. NO.	PARTS NAME	CAT. NO.	MATERIAL	Q'TY	NOTE
1	REEL	_____	POLYSTYRENE	1	COLOR:BLACK
2	PLASTIC (EMBOSSED) TAPE	_____	PET	_____	COLOR: TRANSPARENCY (CLEAR)
3	COVER	_____	POLYESTER	_____	COLOR: TRANSPARENCY (CLEAR)
4	CONNECTOR	HFW__R-1ST__LF	SEE ATTACHED DWG.	500	LOWER CONTACT TYPE

NOTES

1. THIS IS PLASTIC TAPE PACKAGED CONNECTOR DESIGNED TO TERMINATE FPC/FFC AND COPEs WITH AUTOMATIC MOUNTING (SMT).
2. SEE JIS C 0806 (PACKING OF ELECTRONIC COMPONENTS ON CONTINUOUS TAPES (SURFACE MOUNTING DEVICES)) FOR SHAPE AND DIMENSIONS OF PLASTIC (EMBOSSED) TAPE AND REEL.
3. E DIMENSION IS PORTION OF THE CORE.

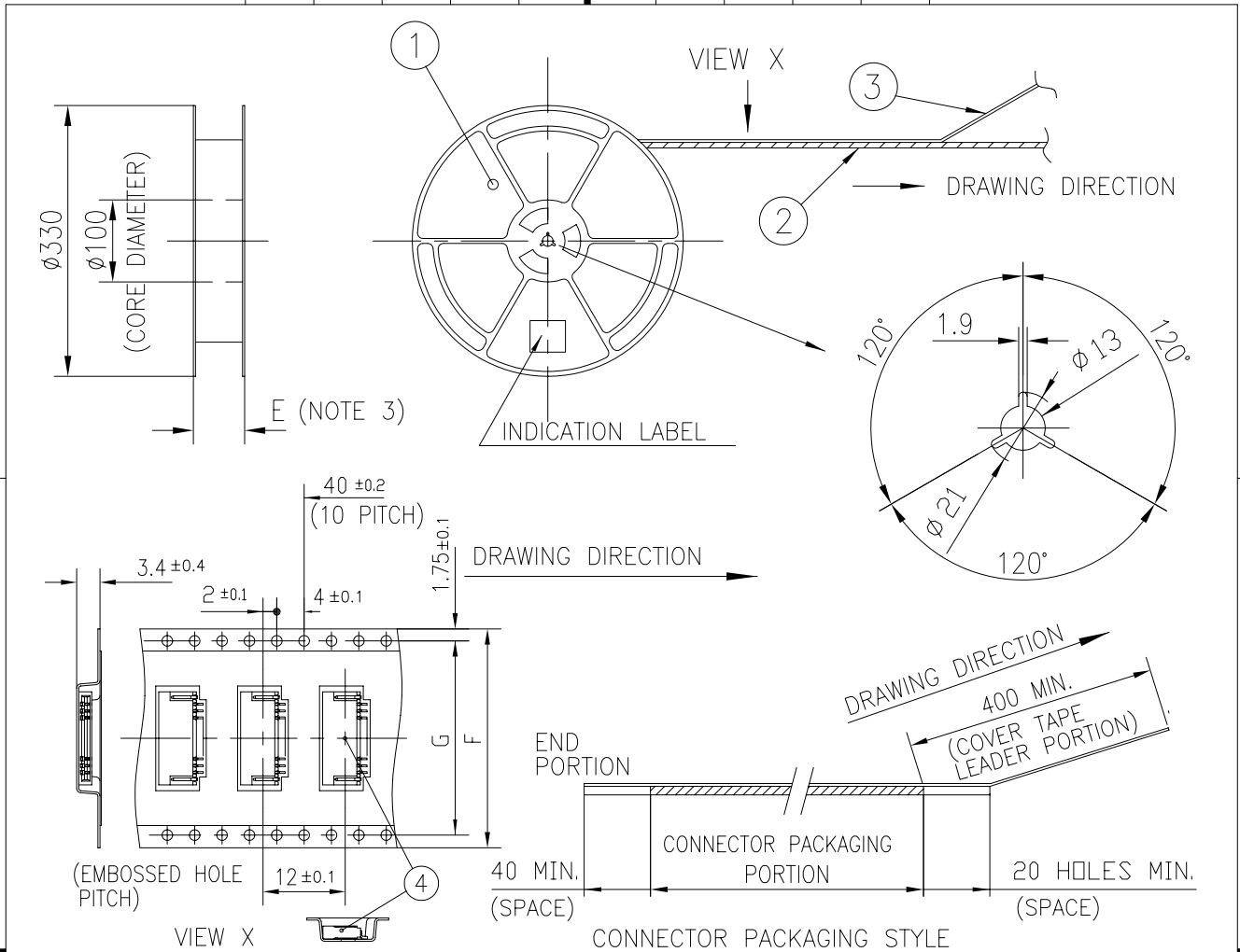
mat'l. code		surface 58 / tolerance ISO 1302		tolerance ISO 406 / ISO 1101		projection		product family 58NF		CODE JP	
ltr A		ecn no		dr		date		title		1mm SPACING SMT CONNECTOR (Cat.No. HFW__R-1STE9LF)	
				angles ±5°		linear		scale		mm	
				dr DENNIS GOH 09-05-06		enr DENNIS GOH 09-05-06		chr DENNIS GOH 09-05-06		appd JOEY NG 09-05-06	
sheet index		revision sheet						dwg no 10101162		sheet 6 of 9 size A4	
								type Product Customer Drawing		Rev. A	



FCIconnect.com

Copyright FCI.





PT. NO.	PARTS NAME	CAT. NO.	MATERIAL	Q'TY	NOTE
1	REEL	_____	POLYSTYRENE	1	COLOR: BLACK
2	PLASTIC (EMBOSSED) TAPE	_____	PET	_____	COLOR: TRANSPARENCY (CLEAR)
3	COVER	_____	POLYESTER	_____	COLOR: TRANSPARENCY (CLEAR)
4	CONNECTOR	HFW__R-2ST__LF	SEE ATTACHED DWG.	500	UPPER CONTACT TYPE

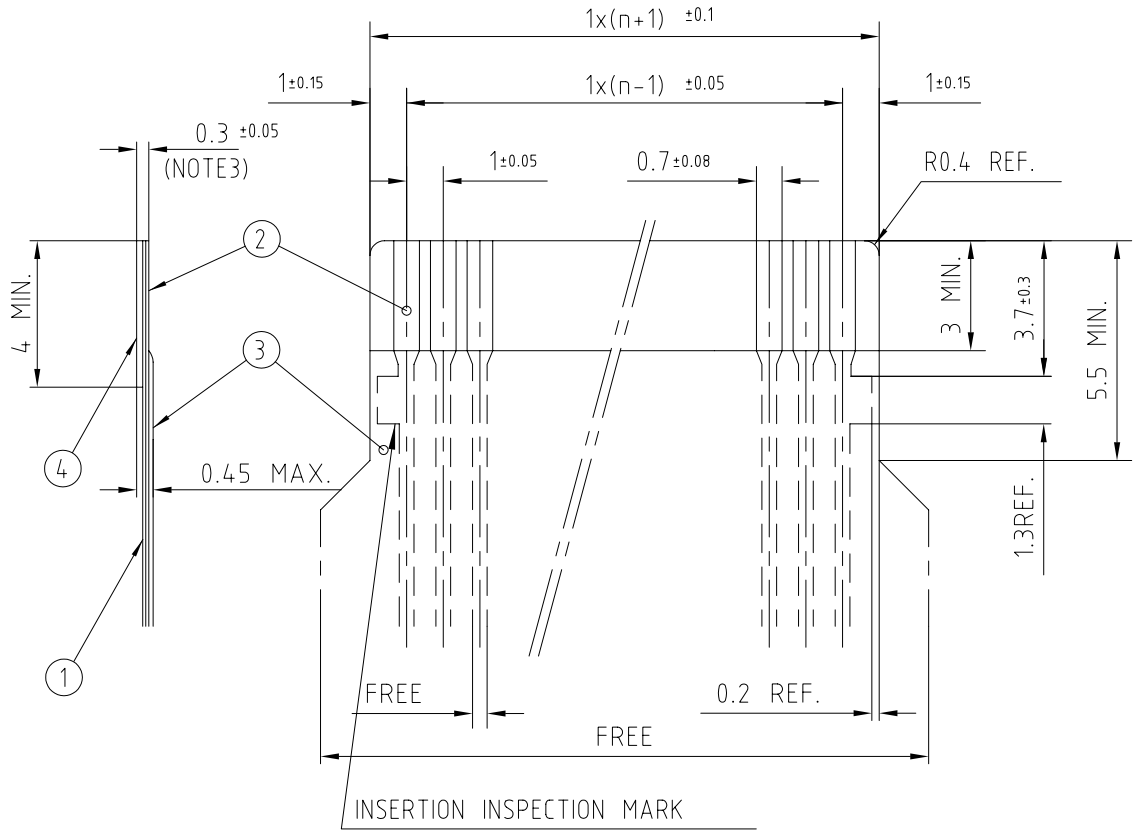
NOTES

- THIS IS PLASTIC TAPE PACKAGED CONNECTOR DESIGNED TO TERMINATE FPC/FFC AND COPER WITH AUTOMATIC MOUNTING (SMT).
- SEE JIS C 0806 (PACKING OF ELECTRONIC COMPONENTS ON CONTINUOUS TAPES (SURFACE MOUNTING DEVICES)) FOR SHAPE AND DIMENSIONS OF PLASTIC (EMBOSSED) TAPE AND REEL.
- E DIMENSION IS PORTION OF THE CORE.

mat'l. code		surface 58 / tolerance ISO 1302 / ISO 406 / ISO 1101		projection		product family 58NF		CODE JP	
ltr A		ecn no		dr		date		tolerances unless otherwise specified	
				angles ±5°		linear		mm	
				±5°				scale	
		dr DENNIS GOH 09-05-06		enr DENNIS GOH 09-05-06		chr DENNIS GOH 09-05-06		appd JOEY NG 09-05-06	
sheet index		revision sheet						product family	
								title	
								1mm SPACING SMT CONNECTOR (Cat.No. HFW__R-2STE9LF)	
								dwg no 10101162	
								sheet 7 of 9	
								size A4	
								type Product Customer Drawing	
								Rev. A	

RECOMMENDED CABLE (FPC)

n : NO. OF CONDUCTORS



PT. NO.	DESCRIPTION	MATERIAL	THICKNESS (um)
1	BASE FILM	POLYIMIDE OR POLYESTER OR EQUIVALENT	25
2	CONDUCTOR	COPPER FOIL(PLATING : SOLDER 1um MIN.)	35
3	OVERLAY	POLYIMIDE OR POLYESTER OR EQUIVALENT	—
4	SUPPORTING TAPE	POLYESTER OR POLYIMIDE OR EQUIVALENT	188

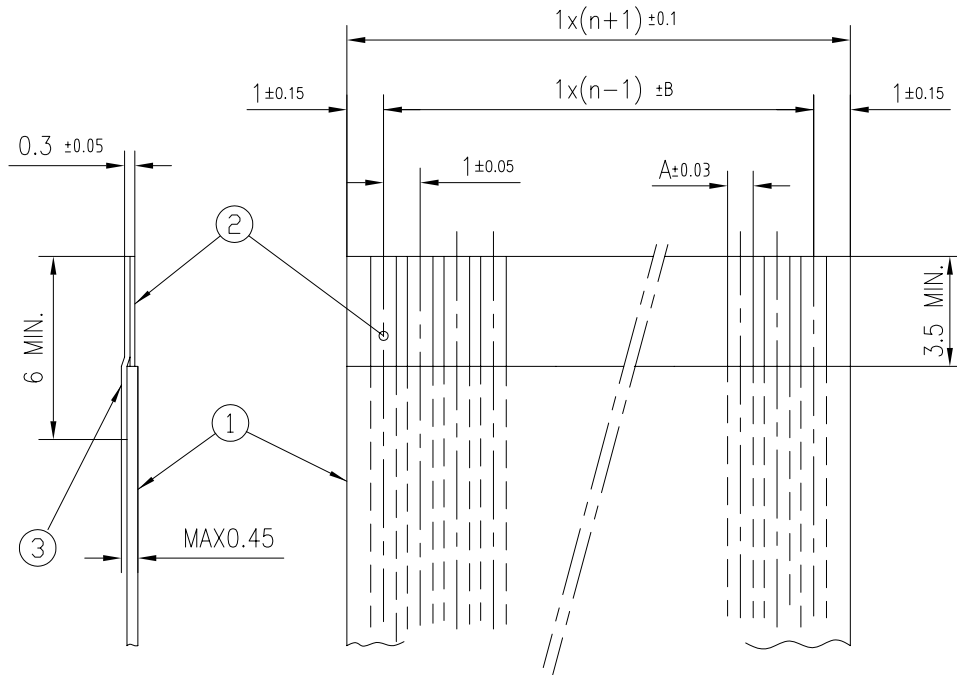
NOTES

1. NO BURR AT EACH PORTION.
2. NO PEELING IN COMMON USE.
3. TOTAL THICKNESS LIMIT OF EACH MATERIAL (INCLUDING ADHESIVE AGENT) IS SPECIFIED.

mat'l. code		surface 58 / tolerance ISO 1302 ISO 406 ISO 1101		projection		product family 58NF		CODE JP	
ltr A		ecn no		dr		date		tolerances unless otherwise specified	
				angles		linear		mm	
				dr		DENNIS GOH 09-05-06		scale	
				enr		DENNIS GOH 09-05-06		FCJ	
				chr		DENNIS GOH 09-05-06		dwg no 10101162	
				appd		JOEY NG 09-05-06		sheet 8 of 9	
sheet index		revision sheet						size A4	
								type Product Customer Drawing	
								Rev. A	

RECOMMENDED CABLE (FFC)

n : NO. OF CONDUCTORS



(NOTE 3)	DIMENSION A	TOLERANCE B
1	0.7	0.1
2	0.6	0.07

PT. NO.	DESCRIPTION	MATERIAL	NOTE
1	INSULATOR	FLAME RESISTING POLYESTER OR EQUIVALENT	_____
2	CONDUCTOR	COPPER FOIL	PLATING:TIN OR SOLDER 1um MIN.
3	SUPPORTING TAPE	FLAME RESISTING POLYESTER OR EQUIVALENT	_____

NOTES

1. NO BURR AT EACH PORTION.
2. NO PEELING IN COMMON USE.
3. BOTH COMBINATION IS ALLOWED.

mat'l. code				surface 58 / tolerance ISO 1302 / ISO 406 / ISO 1101		projection		product family 58NF			
ltr A				ecn no		dr		date		title	
				tolerances unless otherwise specified		mm				RECOMMENDED CABLE	
				angles		linear		scale		(Cat. No. HFW__R-1/2__)	
				dr DENNIS GOH 09-05-06		engr DENNIS GOH 09-05-06		chr DENNIS GOH 09-05-06		dwg no 10101162	
				appd JOEY NG 09-05-06		FCJ		sheet 9 of 9		size A4	
sheet index				revision sheet				type Product Customer Drawing		Rev. A	



FCIconnect.com

Copyright FCI.