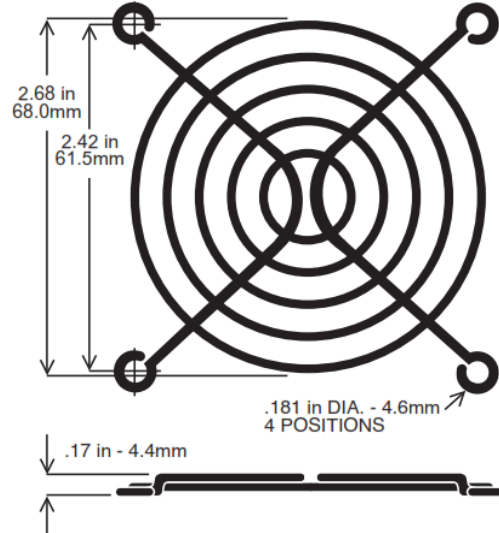


Part No. G70 -4



Fan Guard for  
70mm Fan



NOTES:

- 1. MATERIAL:C1008 BRIGHT BASIC WIRE
- 2. FINISH: BRIGHT NICKEL CHROME
- 3. RINGS: 1.6MM DIA / RIBS: 1.6MM DIA
- 4. WELDS TO WITHSTAND 88LBS PULL FORCE
- 5. SPACING BETWEEN RINGS: 4.33MM
- 6. GENERAL TOLERANCE UNLESS NOTED +/-0.5MM
- 7. PART MEETS 6.35MM PLUG GAUGE TEST
- 8. UNIT: MM

Part Number	Description
G70-4	70mm fan guard, metal
G70-4/PK	10-Pack G70-4, Boxed