

1 2 3 4 5 6

A

B

C

D

5000

25 pol. Datenkabel, 28 AWG
25 pole data cable, 28 AWG

X → 47

← Y 47

UNC 4-40

ca. 58

ca. 58

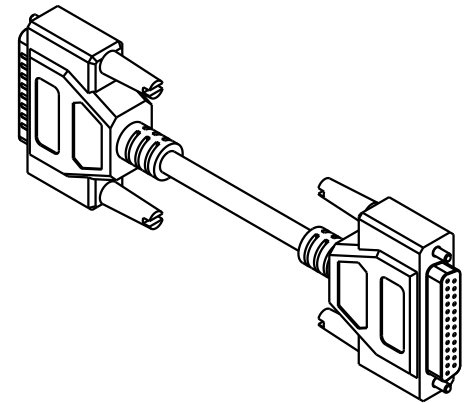
UNC 4-40

Kabelaufdruck/label:

Harting Art.No. 39 50 903 0041

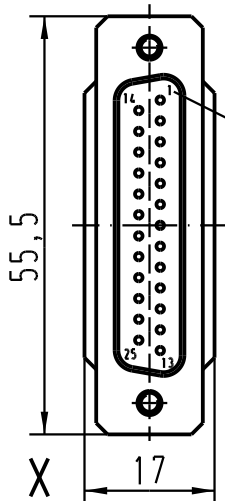
P1	_____	P2
1	_____	1
2	_____	2
	S 1:1	
24	_____	24
25	_____	25
SHIELD	_____	SHIELD

Stromlaufplan/
circuit diagram



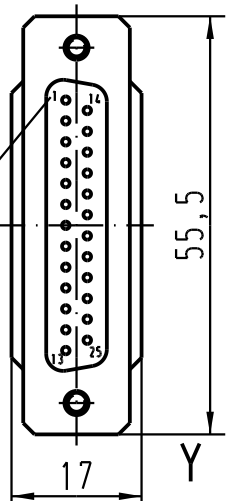
DB25 M
P1

DB25 F
P2



Pin 1

Pin 1



All Dimensions in mm Original Size DIN A 4		Techn. Character.			Nicht tolerierte Masse/ Free size tolerances	
			Dat.	Name	Massstab/Scale	
		Detail.	17.02.05	Loe.	1:1	
		Insp.		Be		
		Stand.				
411516	15.03.05	Loe.	HARTING Electric GmbH & Co. KG		Leitung SUB-D25 l-m, 5m, grau/ Cable SUB-D25, l-m, 5m, grey	
411474			D-32339 Espelkamp			
Mod.	Dat.	Name			TB 39 50 903 0041	
					Sub.	Blatt/ page