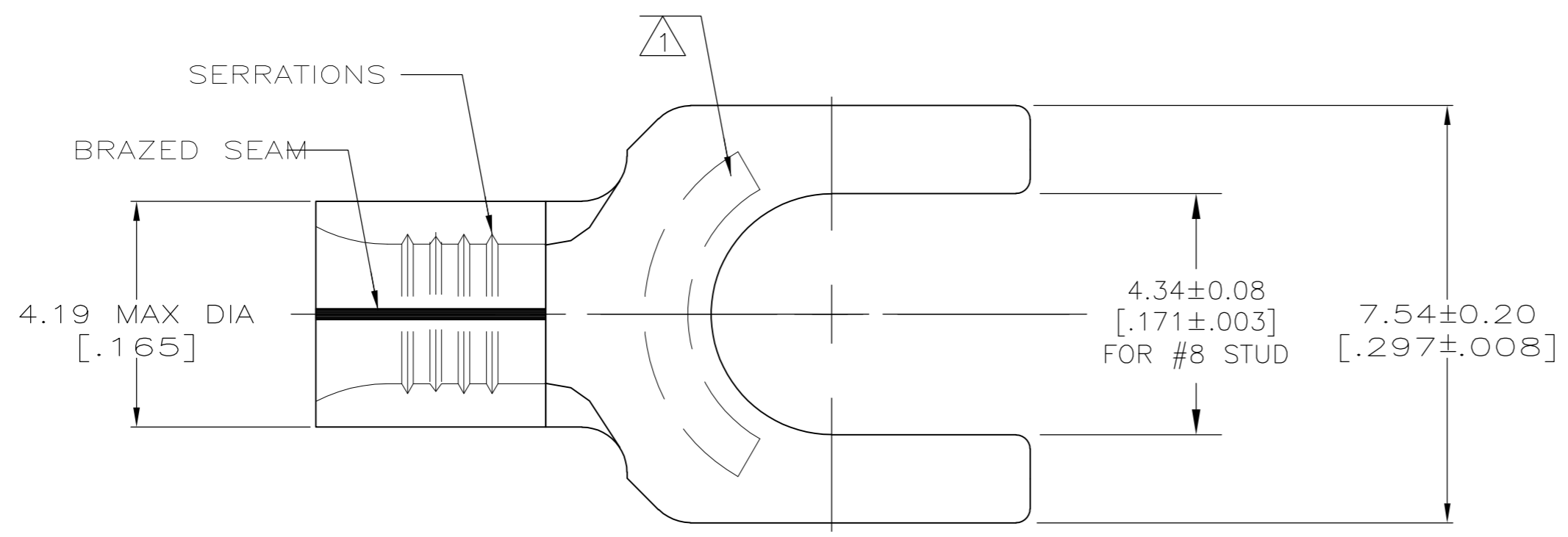


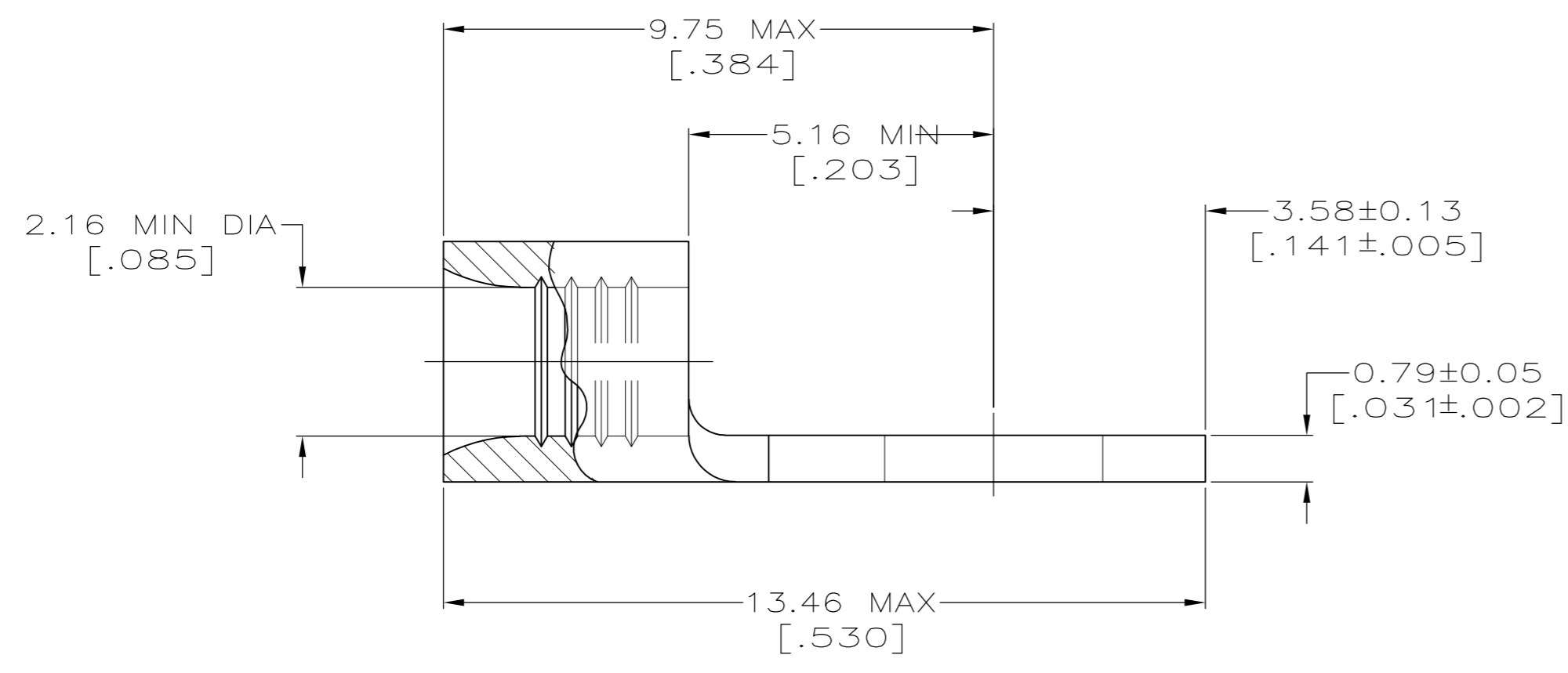
THIS DRAWING IS UNPUBLISHED. RELEASED FOR PUBLICATION
 © COPYRIGHT BY TYCO ELECTRONICS CORPORATION. ALL INTERNATIONAL RIGHTS RESERVED.

LOC	DIST	REVISIONS			DAP		
		P	LTR	DESCRIPTION	DATE	DWN	APVD
G	14		D1	REVISED PER ECR 09-023200	27OCT09	JR	TM



AMP WIRE RANGE	Listed FILE E13288	LR7189 Certified
16-14 AWG SOLID OR STRANDED	16-14 AWG SOLID OR STRANDED	16-14 AWG SOLID OR STRANDED

- STAMP AMP 16-14*, APPROX AS SHOWN
- COPPER PER ASTM B-152, ANNEALED
- 0.00254 [.000100] MIN TIN PER ASTM B-545



5000	ON TAPE	2-36880-1
--	LOOSE PIECE	36880
QTY	PART NUMBER	PART NUMBER

CUSTOMER SERVICE SYSTEMS		MAX RECOMMENDED OPERATING TEMPERATURE: 170°C MAX
FOR ADDITIONAL PRODUCT INFORMATION OR COPIES OF DRAWINGS AND TECHNICAL DOCUMENTS	PRODUCT INFORMATION CENTER 1-800-522-6752	VOLTAGE RATING: N/A
FOR APPLICATION TOOLING INFORMATION	TOOLING ASSISTANCE CENTER 1-800-722-1111	CIRCULAR MIL AREA: 1.04-2.62mm ² [2,050-5,180] SOLID OR STRANDED
FOR ORDER ENTRY	1-800-526-5142	THIS DRAWING IS A CONTROLLED DOCUMENT FOR AMP INCORPORATED. IT IS SUBJECT TO CHANGE AND THE CONTROLLING ENGINEERING ORGANIZATION SHOULD BE CONTACTED FOR THE LATEST REVISION.

THIS DRAWING IS A CONTROLLED DOCUMENT.		DWN TA BRINKMAN 1-28-93
DIMENSIONS: MM [INCHES]		CHK DA PATTERSON 1-28-93
TOLERANCES UNLESS OTHERWISE SPECIFIED:		APVD JL MECKLEY 1-28-93
0 PLC ± -		PRODUCT SPEC
1 PLC ± -		APPLICATION SPEC
2 PLC ± 0.20 [.008]		WEIGHT
3 PLC ± -		SCALE
4 PLC ± -		SHEET
ANGLES ± -		REV
MATERIAL -	FINISH -	CUSTOMER DRAWING

Tyco Electronics Corporation Harrisburg, PA 17105-3608		RESTRICTED TO
NAME: TERMINAL, SPADE TONGUE, SOLISTRAND		
SIZE: A2	CAGE CODE: 00779	DRAWING NO: C=36880
SCALE: 10:1		SHEET: 1 of 1
REV: D1		