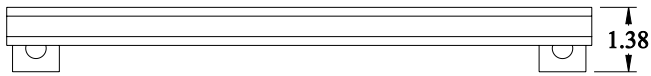
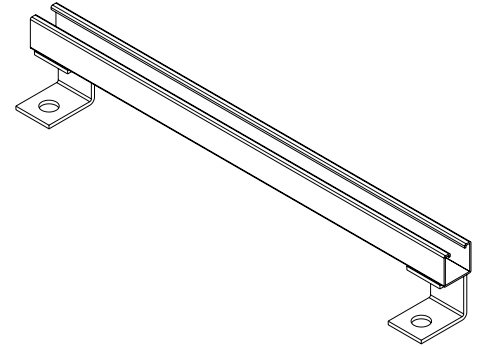


**PART No. 18B216**

for more information visit  
[www.hammfg.com](http://www.hammfg.com)

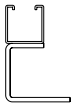
Data subject to change without notice

Isometric drawing Not to Scale

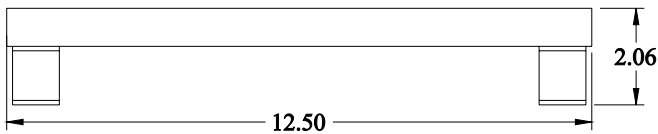


**TOP VIEW**

**ISOMETRIC VIEW**



**LEFT VIEW**



**FRONT VIEW**



**RIGHT VIEW**



**BOTTOM VIEW**