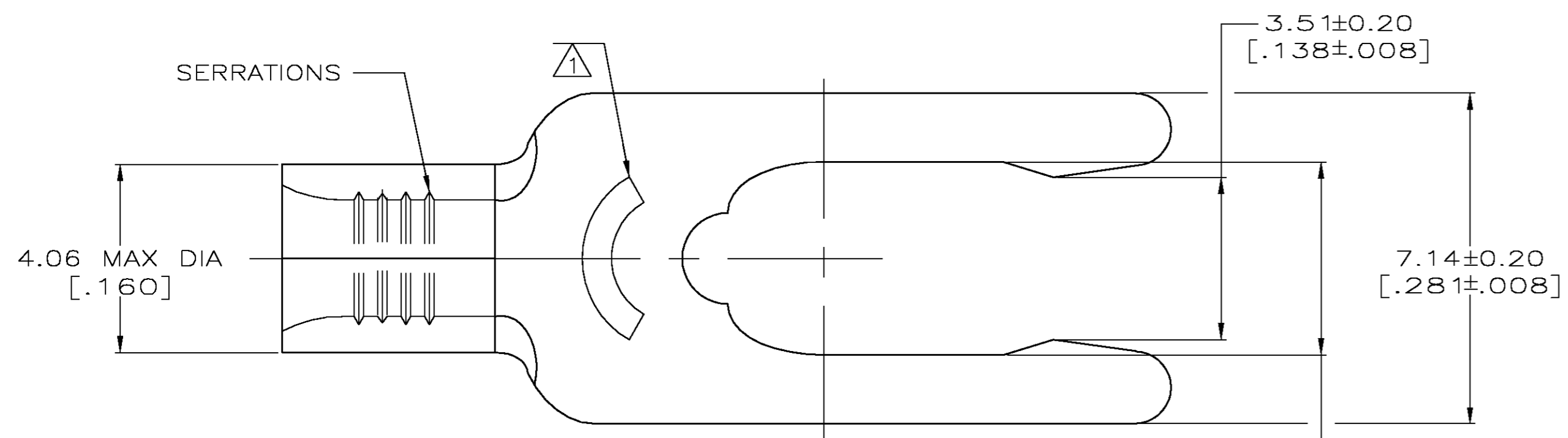


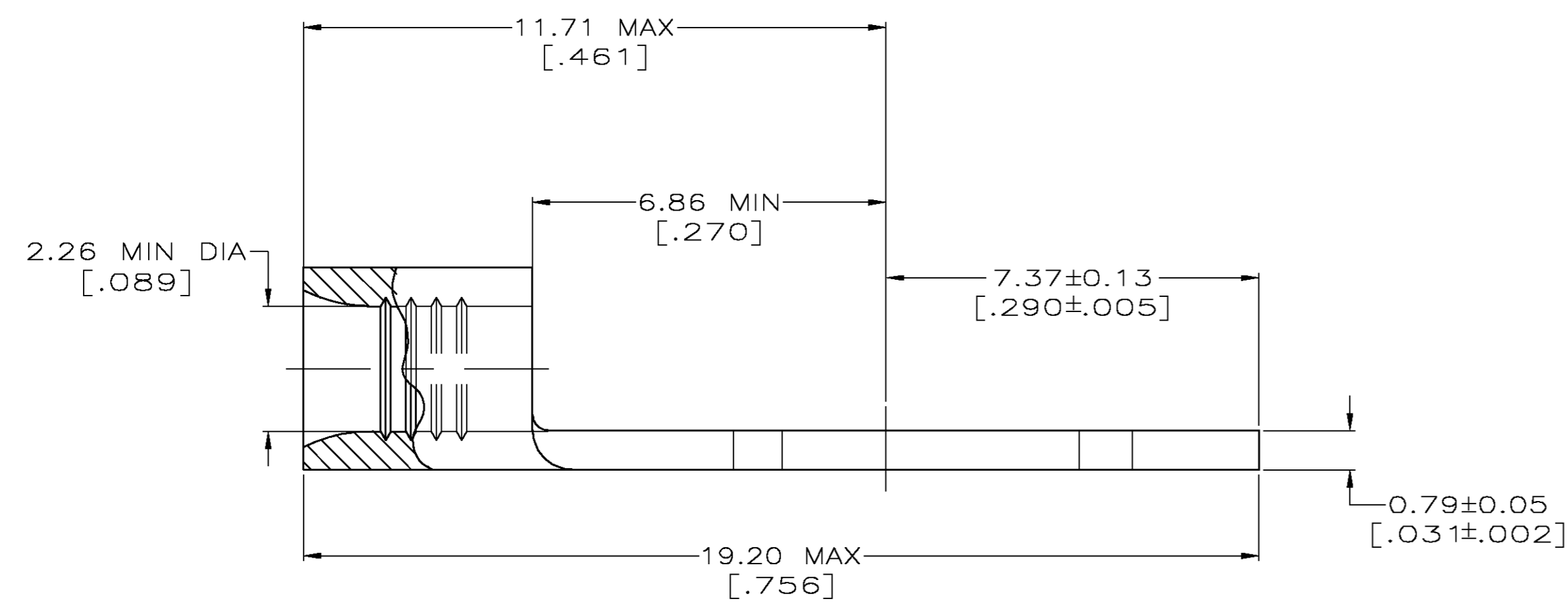
THIS DRAWING IS UNPUBLISHED. RELEASED FOR PUBLICATION
 © COPYRIGHT BY TYCO ELECTRONICS CORPORATION. ALL RIGHTS RESERVED.

LOC	DIST	REVISIONS					
G	14	P	LTR	DESCRIPTION	DATE	DWN	APVD
		D		REV PER 0G3A-0305-03	20MAY03	JR	MS



AMP WIRE RANGE	Listed FILE E13288	LR7189 Certified
16-14 AWG STRANDED	16-14 AWG STRANDED	NOT CERTIFIED

- △1 STAMP 8S AMP 16-14* APPROX AS SHOWN
8S INDICATES STUD SIZE
- △2 PHOSPHOR BRONZE PER ASTM B-103
ANNEALED
- △3 0.00254 [.000100] MIN TIN PLATE
PER ASTM B-545
- △4 PRELIMINARY - NOT FOR PRODUCTION



5000	ON TAPE	△4 52704-3
-	LOOSE PIECE	52704-1
QTY	PACKAGE TYPE	PART NO

**AMP INCORPORATED
CUSTOMER SERVICE SYSTEMS**

FOR ADDITIONAL PRODUCT INFORMATION OR COPIES OF DRAWINGS AND TECHNICAL DOCUMENTS	PRODUCT INFORMATION CENTER 1-800-522-6752	MAX RECOMMENDED OPERATING TEMPERATURE: 170° C
FOR APPLICATION TOOLING INFORMATION	TOOLING ASSISTANCE CENTER 1-800-722-1111	VOLTAGE RATING: N/A
FOR ORDER ENTRY	1-800-526-5142	CIRCULAR MIL AREA: 1.04-2.62mm ² [2,050-5,180] STRANDED

THIS DRAWING IS A CONTROLLED DOCUMENT FOR AMP INCORPORATED. IT IS SUBJECT TO CHANGE AND THE CONTROLLING ENGINEERING ORGANIZATION SHOULD BE CONTACTED FOR THE LATEST REVISION.

THIS DRAWING IS A CONTROLLED DOCUMENT.

DIMENSIONS: MM [INCHES]	TOLERANCES UNLESS OTHERWISE SPECIFIED:
	0 PLC ± -
	1 PLC ± -
	2 PLC ± -
	3 PLC ± -
	4 PLC ± -
	ANGLES ± -
MATERIAL	FINISH
△2	△3

APVD: JL MECKLEY
 DWN: TA BRINKMAN
 CHK: DA PATTERSON

tyco Tyco Electronics Corporation
 Harrisburg, PA 17105

NAME: TERMINAL, LONG SPRING SPADE, BUDGET

SIZE	CAGE CODE	DRAWING NO	RESTRICTED TO
A2	00779	C=52704	-

CUSTOMER DRAWING SCALE 10:1 SHEET 1 OF 1 REV D

52704