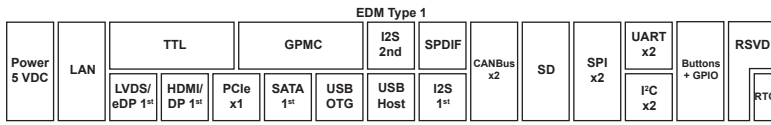


WANDBOARD.ORG

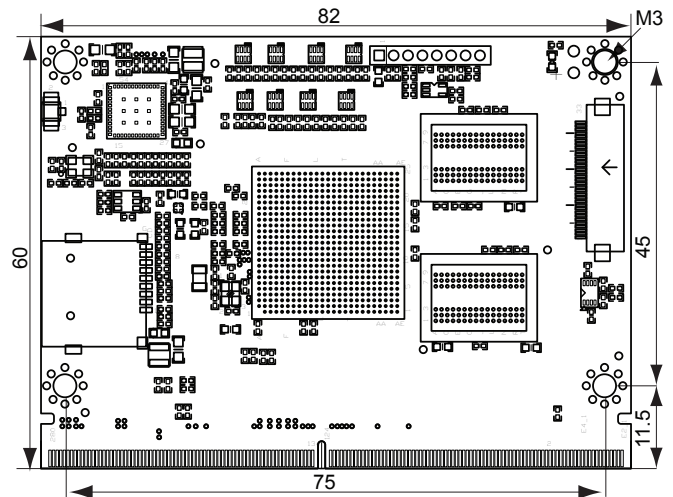
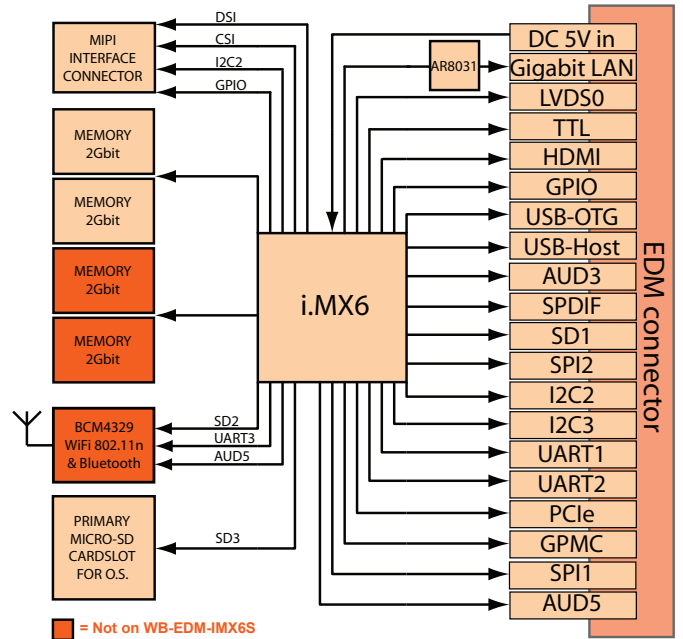


	WB-EDM-IMX6S	WB-EDM-IMX6DL	WB-EDM-IMX6Q
Processor	i.MX6 Solo	i.MX6 DualLite	i.MX6 Quad
Cores	ARM Cortex-A9 Single core @ 1GHz	ARM Cortex-A9 Dual core @ 1GHz	ARM Cortex-A9 Quad core @ 1GHz
Memory	512 MB DDR3	1 GB DDR3	2 GB DDR3
MIPI Display	✓	✓	✓
MIPI Camera	✓	✓	✓
micro SD cardslot	✓	✓	✓
WIFI (802.11n)	X	✓	✓
Bluetooth	X	✓	✓

Interfaces available on the EDM Connector

I ² S Audio	✓	✓	✓
Optical S/PDIF	✓	✓	✓
HDMI	✓	✓	✓
LVDS	✓	✓	✓
TTL Display	✓	✓	✓
USB	✓	✓	✓
USB OTG	✓	✓	✓
SATA	X	X	✓
Gigabit LAN	✓	✓	✓
GPMC	✓	✓	✓
UART	✓	✓	✓
I ² C	✓	✓	✓
SPI	✓	✓	✓
PCIe	✓	✓	✓

Complete schematics, source code and documentation can be found on www.wandboard.org



Order information

WB-EDM-IMX6S-10PACK i.MX6 Solo 10 module pack
WB-EDM-IMX6DL-10PACK i.MX6 DualLite 10 module pack
WB-EDM-IMX6Q-10PACK i.MX6 Quad 10 module pack

Accessories

EDMCONNECTORKIT 10 sets of EDM connectors, standoffs and screws.

