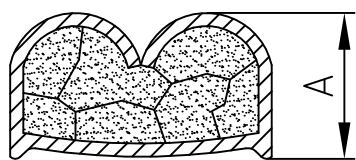
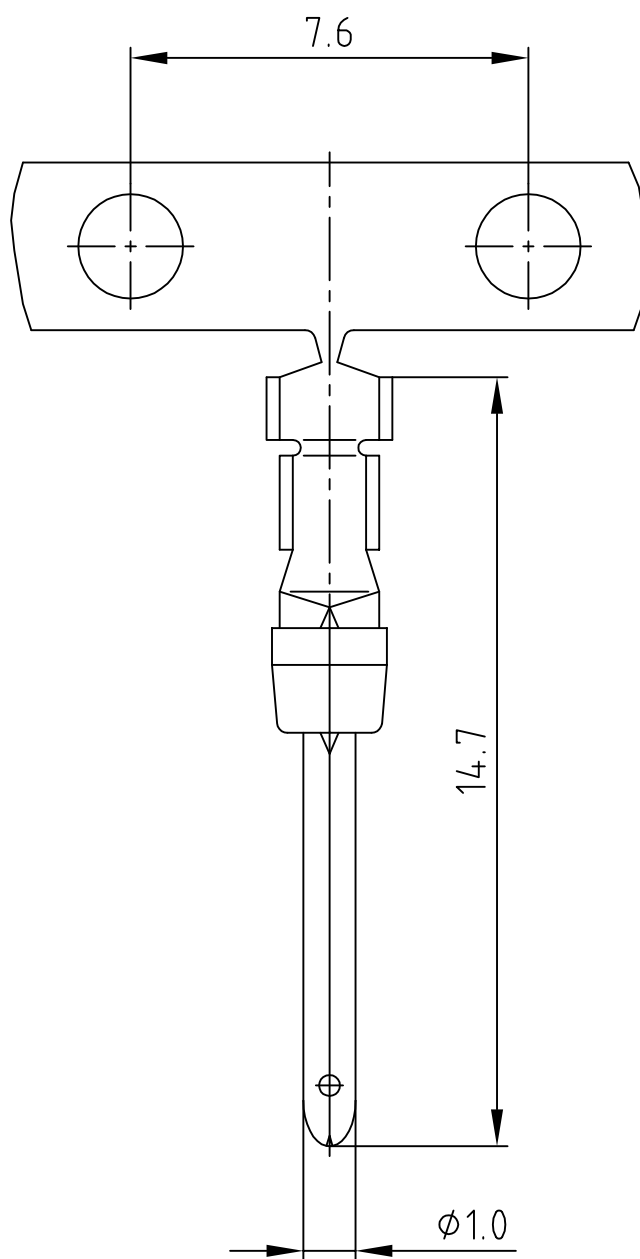


used for: D-SUB

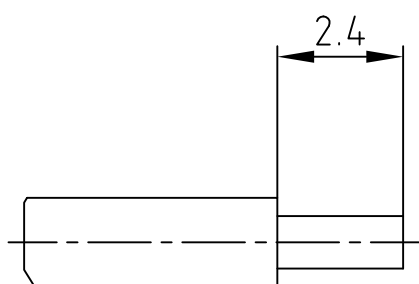


(b)

Wire size AWG	Crimp height A
24	0,68 - 0,86
22	0,68 - 0,86
20	0,68 - 0,86



STRIPPING DIMENSIONS (b)



(b) NOTES:

- Material: Phosphor Bronze
- Finish: Gold Flash over Nickel in the Contact Area
- Temperature Range: -55°C to +125°C
- Rated Current: 7.5A
- Contact Resistance: <= 10mOhm
- Length of Reel - Little Spool: 500 Contacts
- Crimping: Use Crimp Tool 360X10079X

Directive 2002/95/EC RoHS compliant

THIS DRAWING MAY NOT BE COPIED OR REPRODUCED IN ANY WAY, AND MAY NOT BE PASSED ON TO A THIRD PARTY WITHOUT WRITTEN PERMISSION.
 OWNERSHIP AND COPYRIGHT OF CONEC GmbH
 DO NOT ALTER CAD DRAWING BY HAND

finish:		tolerance		dim. in mm	
SEE NOTES					
		2004	date	name	
		drawn	22.04.	Lehmenkühler	
		appd.	22.04.	Mickenbecker	
		norm			
		d-old			
3 x b	Ä 4116	27.09.2011	Lehmen.		
a	Original				
rev.	description	date	name		

scale:	5:1	
material:	SEE NOTES	
title:	PLUG CONTACT CRIMP AWG 24-20 (little spool wheeled left)	
dwg no:	AutoCAD 2006	DIN-A
	16K1A1145	4
part no:	161A13389X	
		sh: 1/1