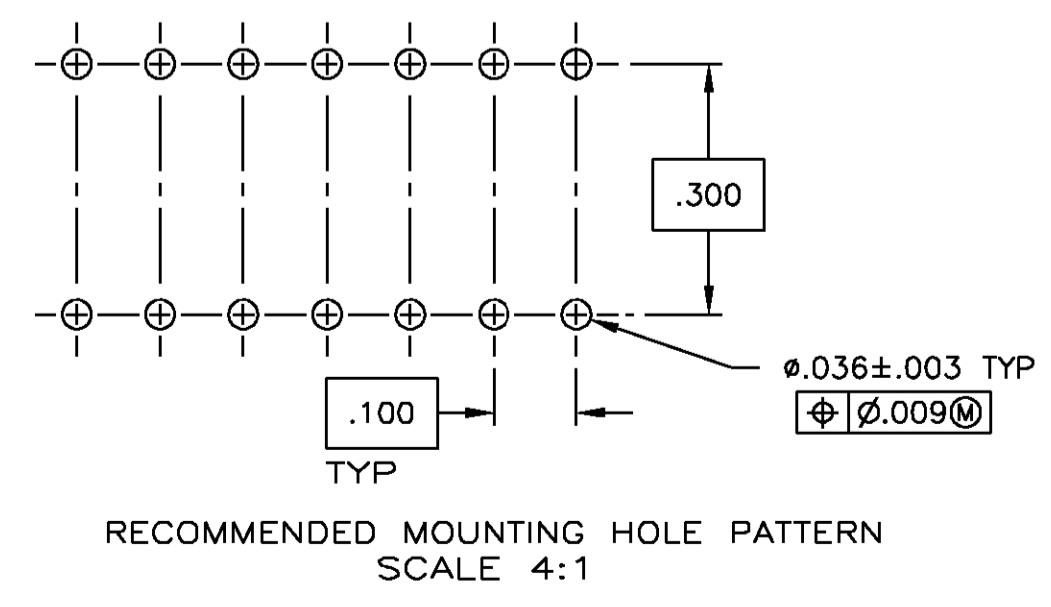
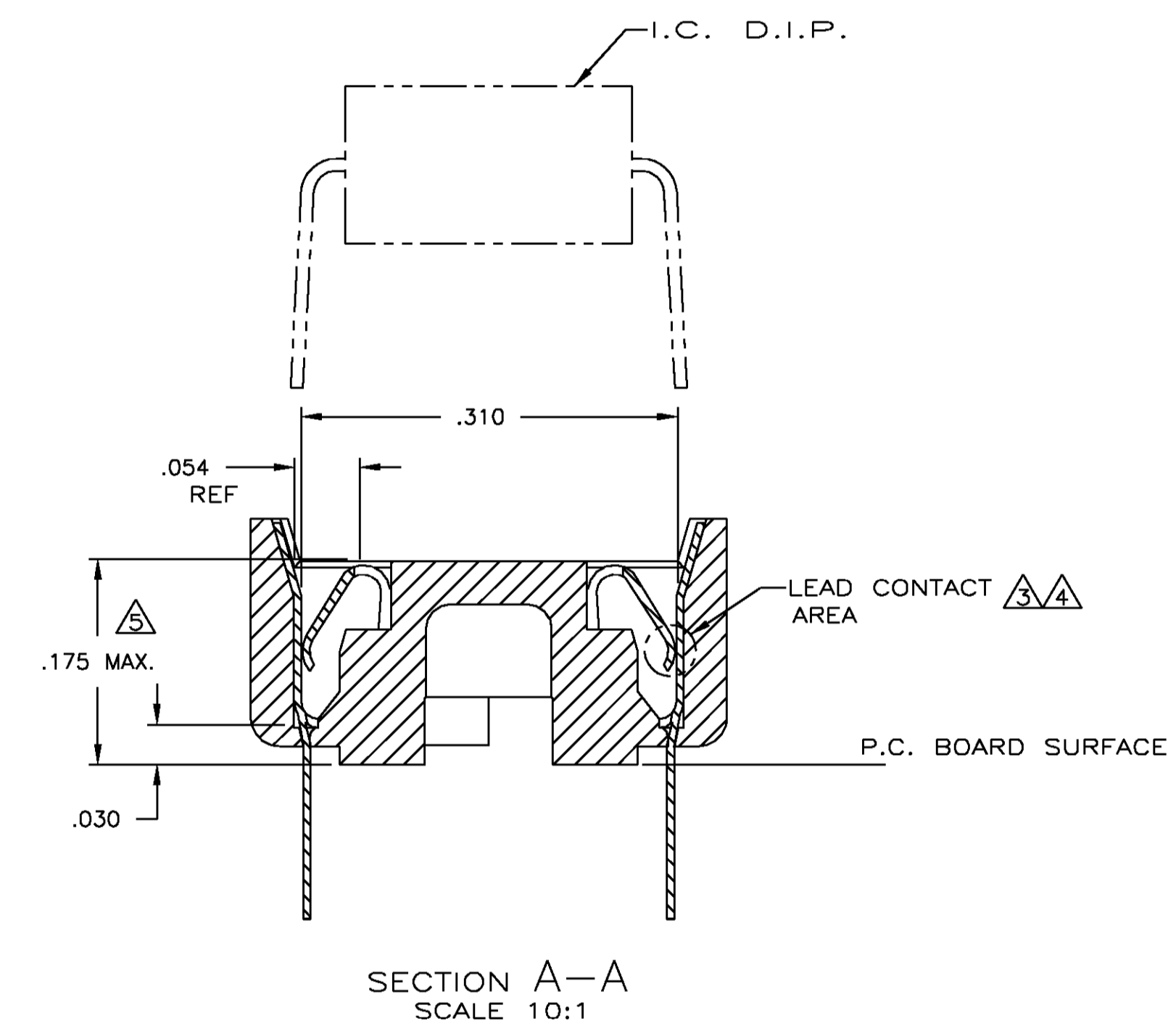
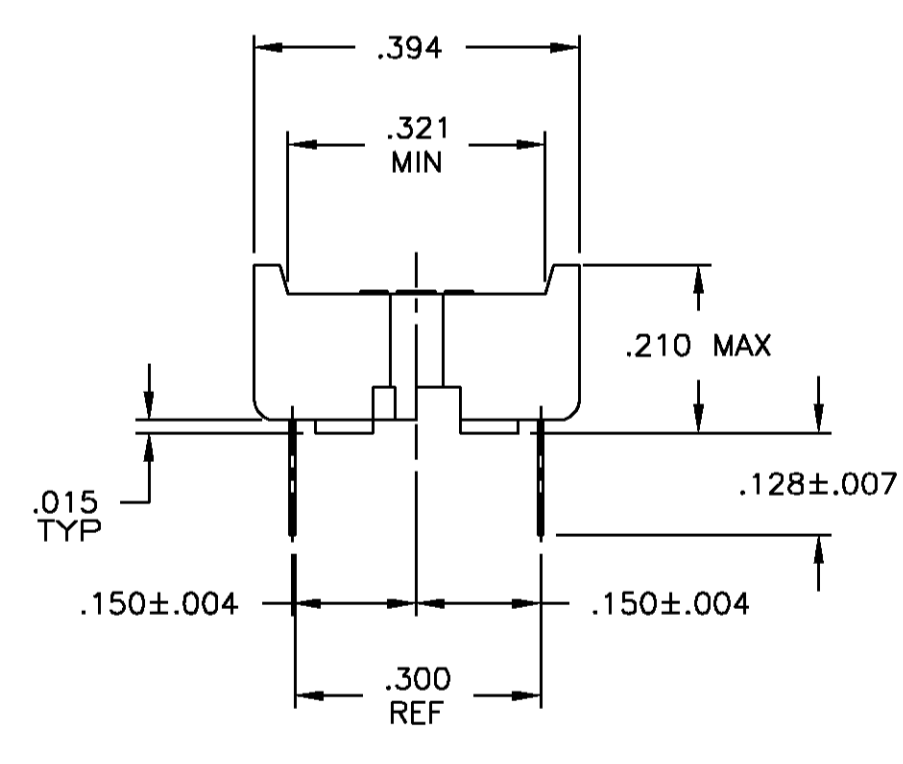
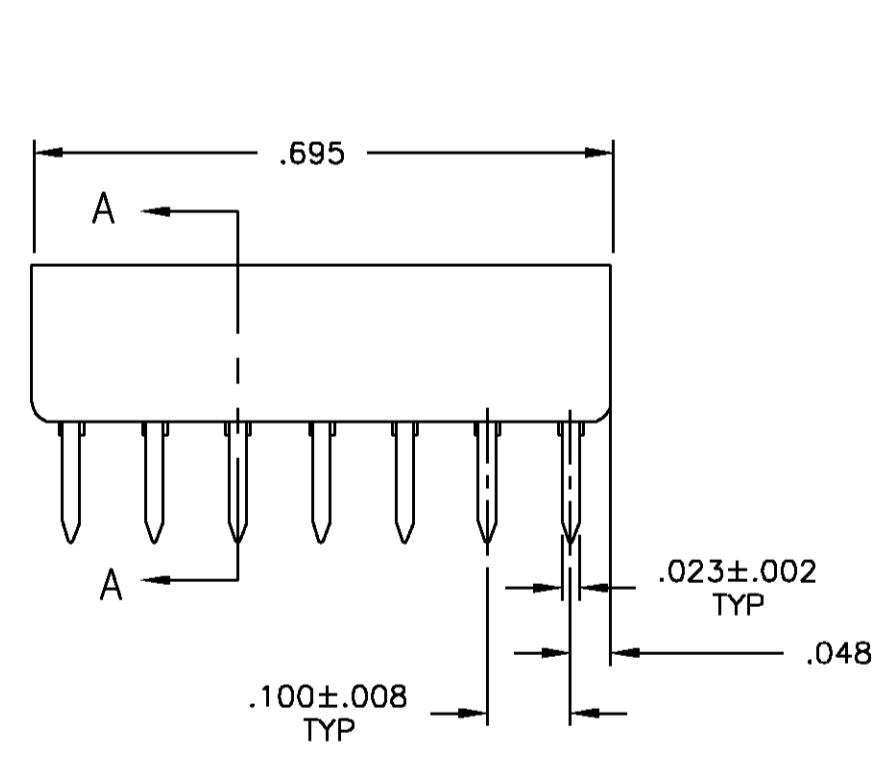
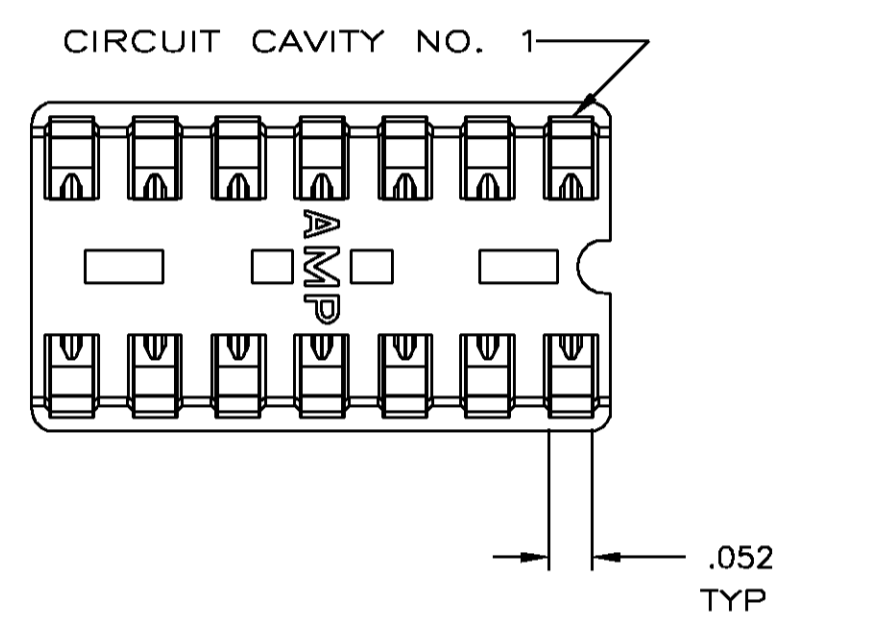


- RECEPTACLE ACCEPTS A .008-.014 THICK I.C. LEAD.
- TUBE LOADED FOR AUTOMATIC INSERTION.
- TWO .000030 MIN THK. GOLD STRIPES IN CONTACT AREA WITH TIN-LEAD (93/7) ON CONTACT LEGS, BALANCE OF CONTACT NICKEL PLATED.
- TWO .000015 MIN THK. GOLD STRIPES IN CONTACT AREA WITH TIN-LEAD (93/7) ON CONTACT LEGS, BALANCE OF CONTACT NICKEL PLATED.
- MAXIMUM DIMENSION FOR I.C. SEATING PLANE.



SUPSD BY 390261-3	TINNED	PHOS.BRZ. .006 THK	GLASS-FILLED THERMOPLASTIC, 94V-0, BLACK	2-640357-4
OBSOLETE		PHOS.BRZ. .006 THK	GLASS-FILLED THERMOPLASTIC, 94V-0, BLACK	2-640357-3
SUPSD BY 390261-3	TINNED	BE.CU. .006 THK	GLASS-FILLED THERMOPLASTIC, 94V-0, BLACK	2-640357-2
		BE.CU. .006 THK	GLASS-FILLED THERMOPLASTIC, 94V-0, BLACK	2-640357-1

CONTACT FINISH	CONTACT MAT'L	HOUSING MATERIAL	PART NO.

THIS DRAWING IS A CONTROLLED DOCUMENT.		DATE	BY	APP'D
		20 FEB 87	R. MILLER	
		20 FEB 87	J. LAMBERT	
DIMENSIONS:		TOLERANCES UNLESS OTHERWISE SPECIFIED:		
INCHES:		0 PL	± .005	
		1 PL	± .005	
		2 PL	± .005	
		3 PL	± .005	
		4 PL	± .005	
		ANGLES	± .005	
MATERIAL	SEE TABLE	FINISH	SEE TABLE	
CUSTOMER DRAWING		SIZE	A1	00779
		DRAWING NO	108-1066	
		APPLICATION SPEC	114-1049	
		WEIGHT		
		SCALE	5:1	
		SHEET	1	OF 1
		REV	7	