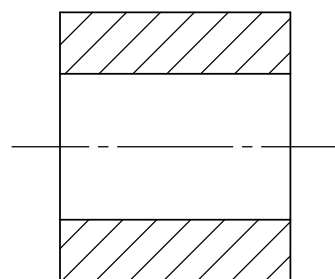
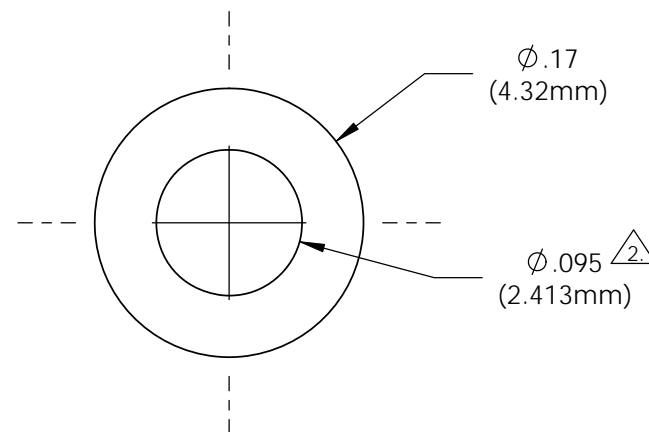
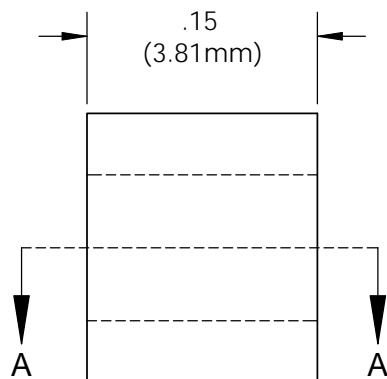


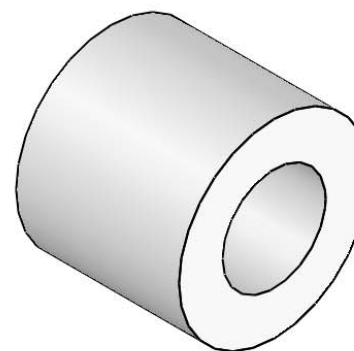
**NOTES:**

1. FINISH: Parts should have a smooth appearance, min.600 surface finish, with no gates and all flash removed.
2. Draft 1° on .095 dimension.
3. U.S. & Foreign Pat. Issued & Pend.

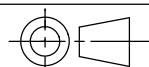
REVISIONS				
ECN #	REV	DESCRIPTION	DATE	INITIALS
	N/A	INITIAL RELEASE	3/21/07	SK
	001	REVISED PER ECR1110AZ01	1/29/10	KH
145	002	CHANGE IN MATERIAL	7/12/10	KH



SECTION A-A



ISOMETRIC VIEW

<small>UNLESS OTHERWISE SPECIFIED DIMENSIONS ARE IN INCHES:</small> ANGLES    DECIMALS $\pm 1^\circ$ .X $\pm .020$ .XX $\pm .010$ FINISH    .XXX $\pm .005$  <small>BREAK ALL CORNERS AND SHARP EDGES .050 MAX.</small>	<b>MATERIAL</b>  TPE, BLACK		<b>VISUAL COMMUNICATIONS COMPANY</b> 190 Bosstick Boulevard, Suite 101 San Marcos, CA 92069 USA Phone (760) 560-1300 Fax (760) 560-1301 email vccsales@vcclite.com	
	<b>FINISH</b>  SEE NOTES		<b>TITLE:</b> <b>CLIPLITE RTN 100</b>	
 THIRD ANGLE PROJECTION	<b>APPROVALS</b>	<b>DATE</b>	<b>SIZE</b> <b>A</b>	<b>DWG. NO.</b> <b>RTN 100</b>
	DRAWN    K.HOWARD	1/29/10	CHECKED    DPZ	2/22/10
<small>PROPRIETARY AND CONFIDENTIAL</small> <small>THE INFORMATION CONTAINED IN THIS DRAWING IS THE SOLE PROPERTY OF VISUAL COMMUNICATIONS COMPANY, INC. ANY REPRODUCTION IN PART OR AS A WHOLE WITHOUT THE WRITTEN PERMISSION OF VISUAL COMMUNICATIONS COMPANY, INC. IS PROHIBITED.</small>			DO NOT SCALE DRAWING	
			SCALE: 8:1                      SHEET 1 OF 1	

