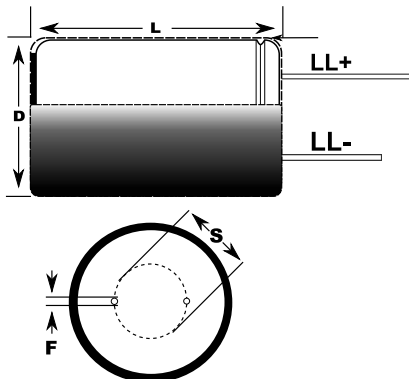


KEMET Part Number: ESY107M050AG3AA
(SY107M050AG3AAPLP)

Capacitor, aluminum, 100 uF, +/-20% Tol, -40/+105C, 50VDC@105° C



Dimensions (mm)		
Symbol	Dimension	Tolerance
D	8	+/-0.5
L	11	+1.5
S	3.5	+/-0.5
LLPos	20	MIN
LLNeg	15	MIN
F	0.5	

Packaging Specifications	
Package Kind:	Bulk
Package Quantity:	6000

General Information	
Supplier:	KEMET
Part Type Description:	Radial Cylindrical Aluminum Electrolytic
Style:	Radial Cylindrical
Lead Type:	Straight

Specifications	
Capacitance:	100 uF
Tolerance:	+/-20%
Rated Temperature:	105° C
Voltage @ rated temp:	50VDC
VDC Surge:	63VDC
Life @ rated temp:	3000 Hrs
RoHS:	Yes
Low Z/ESR:	Yes
Temperature Range:	-40/+105C
Leakage Condition:	2min/20c
Dissipation Factor:	10%
Impedance @ 100kHz:	74 mOhm
Impedance Ratio -25C:	2.0
Impedance Ratio -40C:	3.0
Ripple 120Hz @ rated temp:	0.511 A
Ripple 1kHz @ rated temp:	0.6205 A
Ripple 10kHz @ rated temp:	0.6935 A
Ripple 100kHz @ rated temp:	0.73 A