

THIS DRAWING IS UNPUBLISHED.

RELEASED FOR PUBLICATION

20

© COPYRIGHT 20 BY -

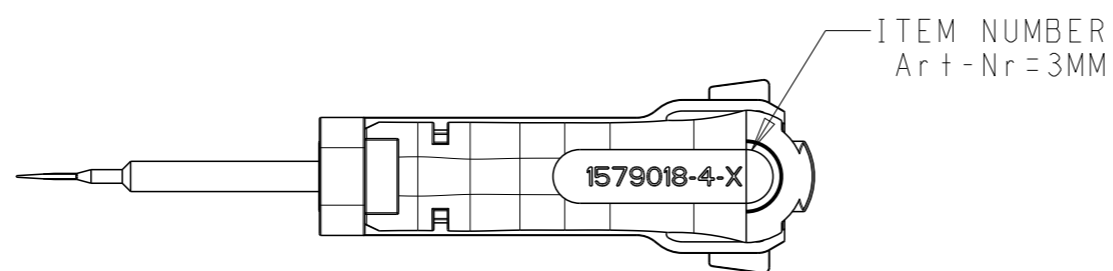
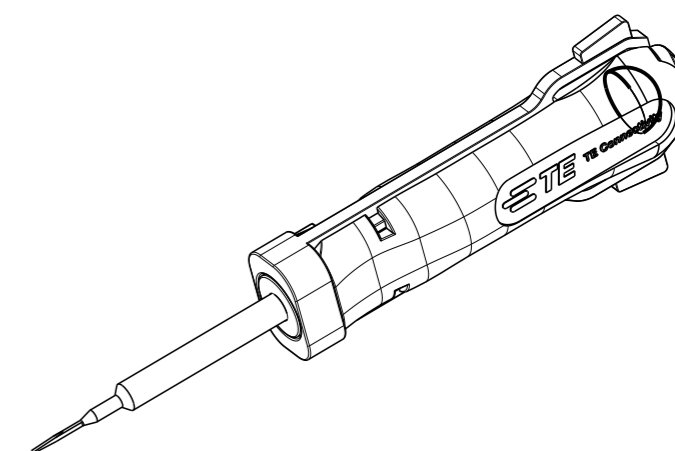
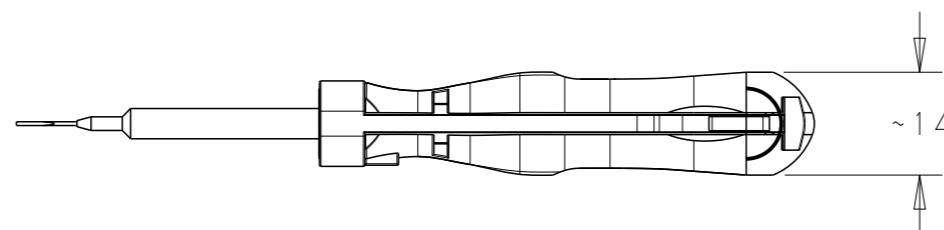
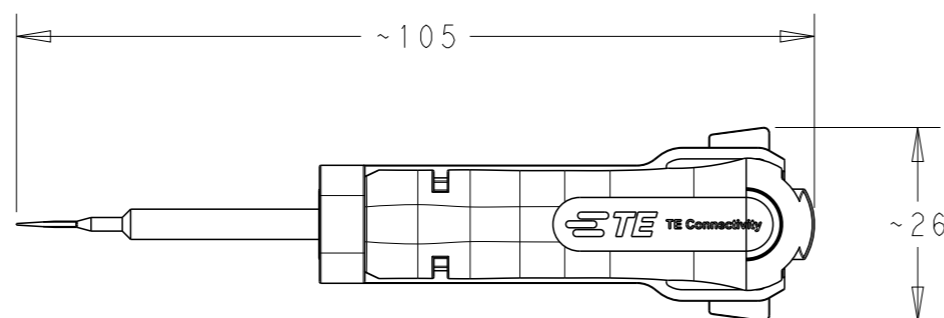
ALL RIGHTS RESERVED.

REVISIONS

P	LTR	DESCRIPTION	DATE	DWN	APVD
	A1	ECR-15-008803	13JUN2015	KH	RG

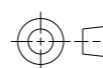
CONTACT / Kontakt: PN 917308, PN 917309

HOUSING / Gehäuse: PN 917318, PN 917319



THIS DRAWING IS A CONTROLLED DOCUMENT.

DIMENSIONS:  
mm



TOLERANCES UNLESS OTHERWISE SPECIFIED:

- 0 PLC ±0.1
- 1 PLC ±0.05
- 2 PLC ±0.02
- 3 PLC ±
- 4 PLC ±
- ANGLES ±0.5°

MATERIAL

FINISH

DWN 28.09.2009

H.Fink

CHK 28.09.2009

G.Stegmayer

APVD 28.09.2009

G.Stegmayer

PRODUCT SPEC

APPLICATION SPEC

WEIGHT 0.012Kg

Customer Drawing



NAME  
EXTRACTION TOOL  
Entriegelungswerkzeug

SIZE CAGE CODE DRAWING NO RESTRICTED TO

A3 - C=1579018-4

SCALE 1:1 SHEET 1 OF 1 REV A1