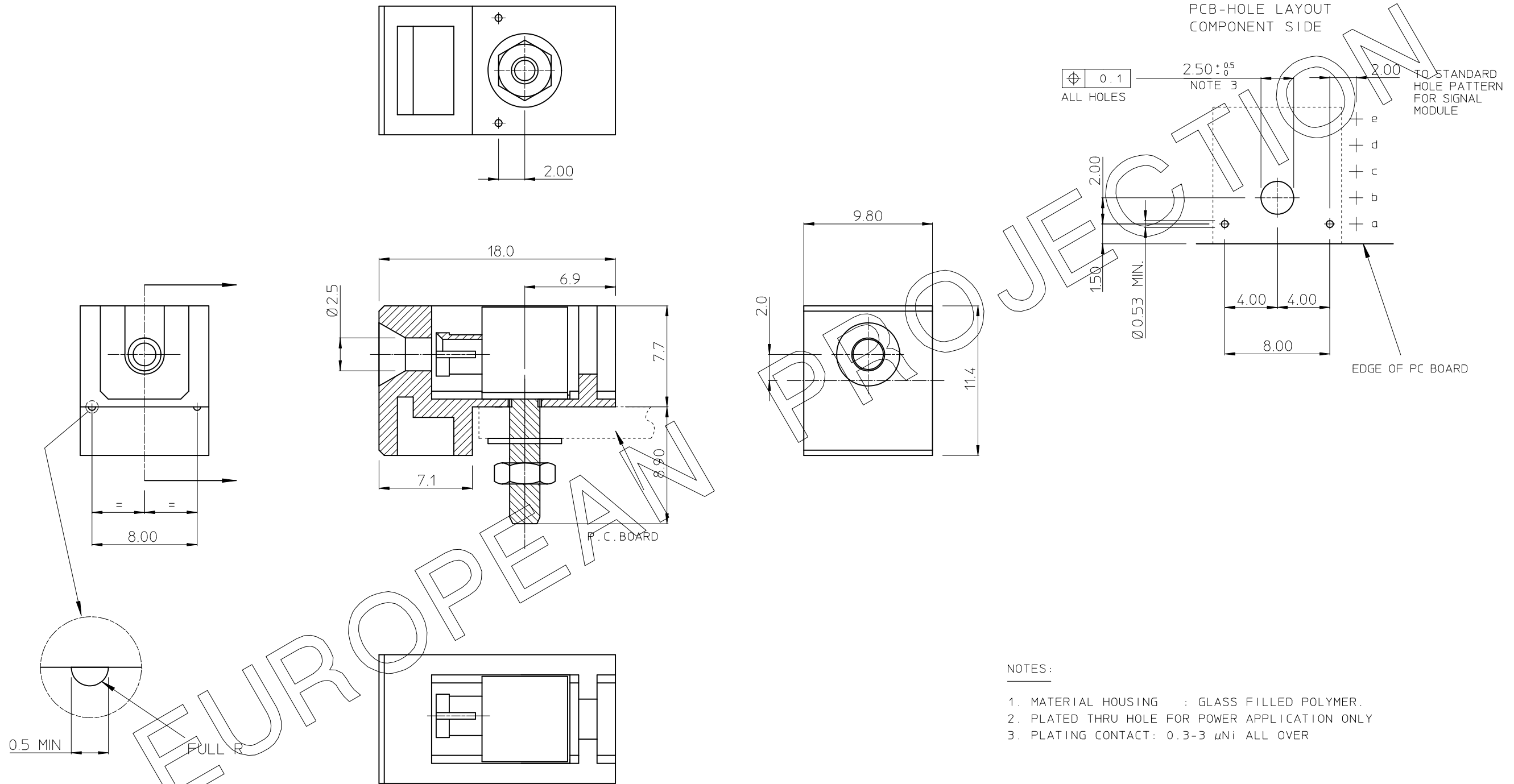


GEN. ST.	01	02	03	04	05	06	07	08	0D	50	60	70	80	90																	
INT. ST.	10	11	12	13	14	18	20	31	32	33	34	38	39	40	42	43	44	45	46	48	56	70	72	73	75	76	81	82	83	84	88

REV.	DATE	DESCRIPTION	BY	C'K'D'
A	14-09-01	CONVERSION REVISION 01	KN	
B	24-11-04	104-0106	ALEX B	BKP



- NOTES:
1. MATERIAL HOUSING : GLASS FILLED POLYMER.
 2. PLATED THRU HOLE FOR POWER APPLICATION ONLY
 3. PLATING CONTACT: 0.3-3 μNi ALL OVER

THIS IS OUR EXCLUSIVE PROPERTY. IT IS NOT TO BE COPIED, REPRINTED OR DISCLOSED TO A THIRD PARTY. NOR USED FOR MANUFACTURING WITHOUT OUR WRITTEN CONSENT, AND HAS TO BE RETURNED TO US IN CASE OF NO USAGE

DIT IS ONZE EIGENDOM EN MAG NOCH NAGEMAAKT, HERDRUKT, OVERGEMAAKT AAN DERDEN, NOCH VOOR FABRIKATIE GEBRUIKT WORDEN, ZONDER ONZE SCHRIFTELIJKE TOELATING BIJ NIET GEBRUIK IS TERUGZENDING VERPLICHT

1DEC ±0,2 1DEC 2DEC ±0,1 2DEC ANGLES ±1° HOEKEN	APPR.	DATE	SIGN.	MILLIPACS 2 / GUIDING SYSTEM (for p.c.board)
WE RESERVE THE RIGHT TO CHANGE DIMENSIONS OR REQUIREMENTS WITHOUT PRIOR NOTICE	DRAFT	17-06-97	M.Fret	CAT. No. HM2G02
ALL DIMENSIONS IN MM	CHECKED			SCALE 4 / 1
ALLE AFMETINGEN IN MM	PROD. MGR.			FCI MECHELEN N.V. A. SPINOYSTRAAAT 8, 2800 MECHELEN
	PR. ENG. MGR.			
	PR. MGT. MGR.			BS,C , 201911, 009
	REFERENCES / REFERENTIES			DRAWING No. CUSTOMER DRAWING
				REVISION B