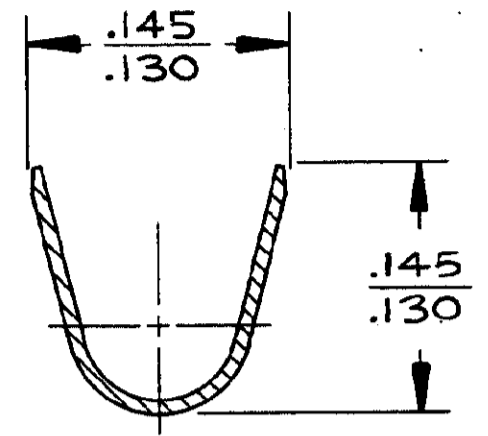
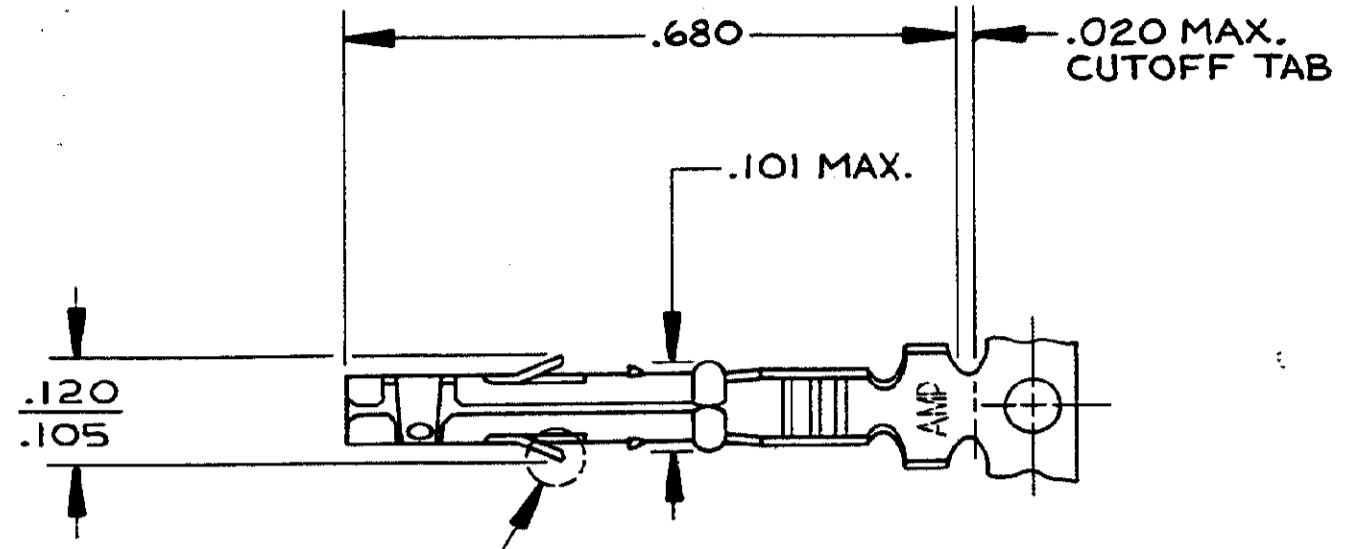


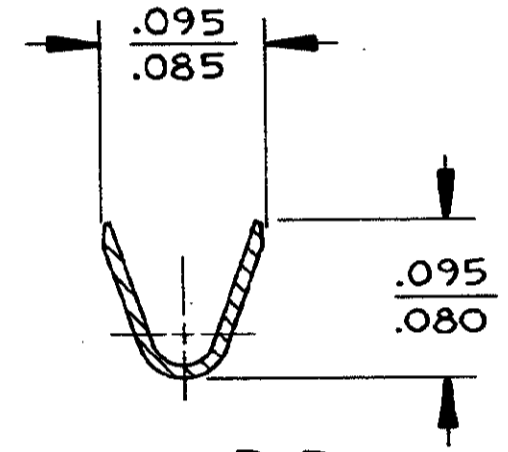
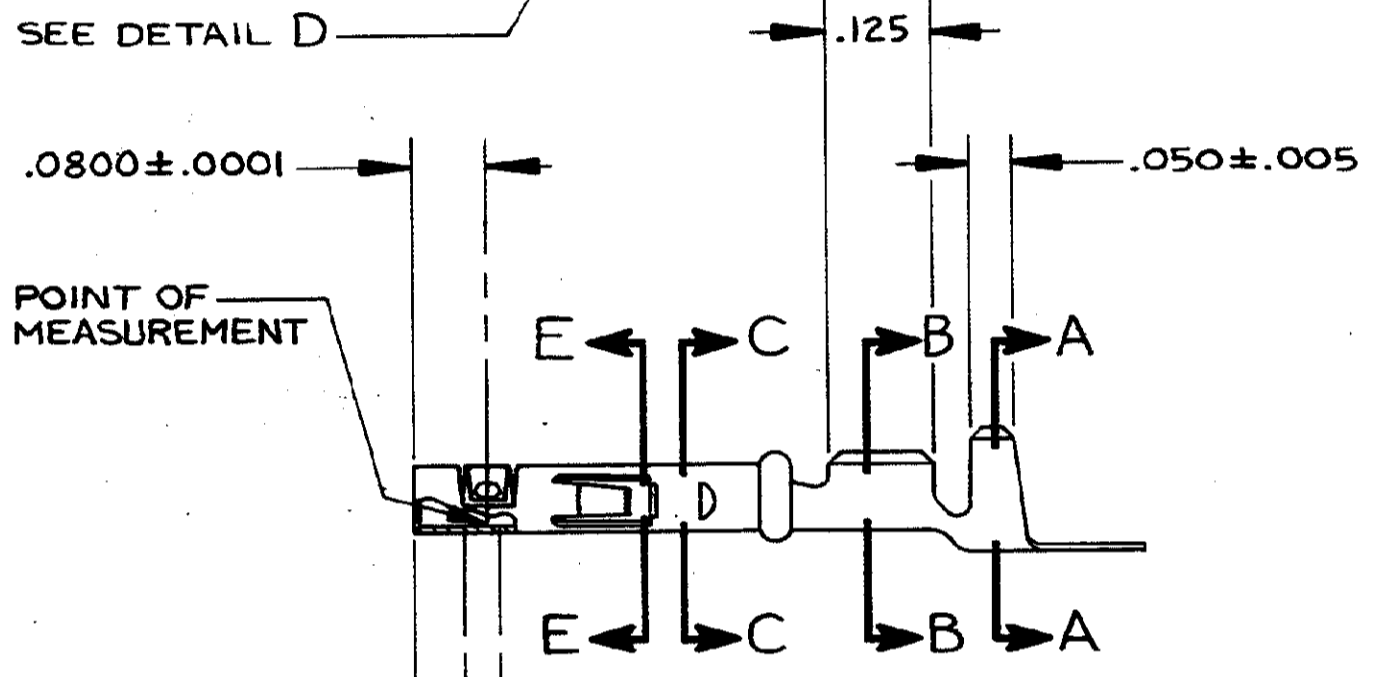
DRAWING MADE IN THIRD ANGLE PROJECTION
 THIS DRAWING IS UNPUBLISHED. RELEASED FOR PUBLICATION
 © COPYRIGHT 19 BY AMP INCORPORATED, HARRISBURG, PA. ALL INTERNATIONAL RIGHTS RESERVED. AMP PRODUCTS MAY BE COVERED BY U.S. AND FOREIGN PATENTS AND/OR PATENTS PENDING.

LOC		DIST		REVISIONS			
P	F	ZONE	LTR	DESCRIPTION	DATE	APPD	
✓		S2		REDRAWN PER STANDARDS	5-26-87	JK/RS	
		S3		REVISED PER ECO-09-026346	27NOV09	KK/AEG	

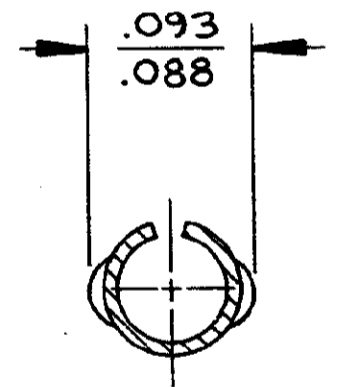
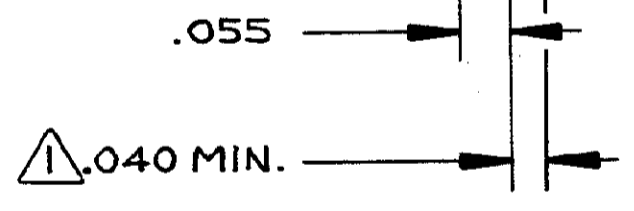


SECTION A-A
SCALE 10:1

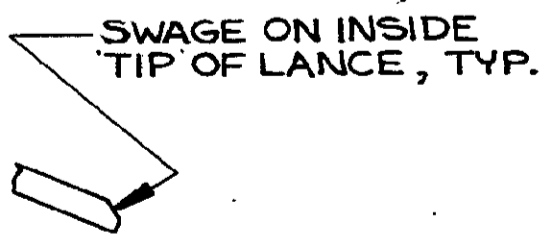
- 1. PLATED INSIDE WITH .000030 GOLD OVER .000050 NICKEL UNDERPLATE.
- 2. REELED FOR MINI-APPLICATOR.
- 3. WIRE RANGE: 26-18 AWG
INSULATION RANGE: .050-.115 DIA.
- 4. OBSOLETE PARTS: OBSOLETE CIS STREAMLINING PER D.RENAUD/D.SINISI



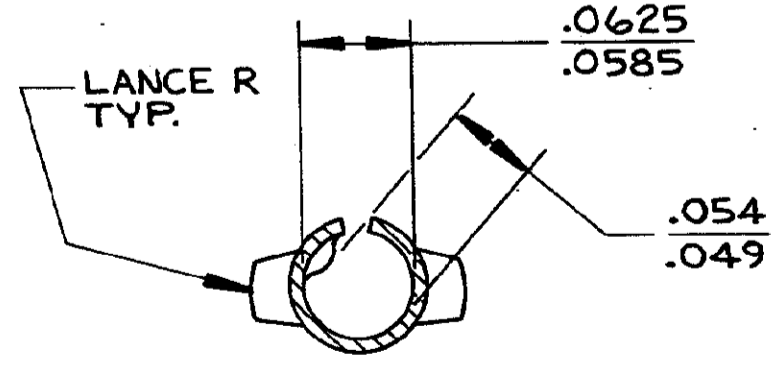
SECTION B-B
SCALE 10:1



SECTION C-C
SCALE 10:1



DETAIL D
SCALE 10:1



SECTION E-E
SCALE 10:1

PART NUMBER	MATERIAL	FINISH
350665-1	.008 PHOS. BRONZE	PRE-TIN
2	.008 PHOS. BRONZE	PRE-GOLD STRIPE

UNLESS OTHERWISE SPECIFIED DIMENSIONS ARE IN INCHES TOLERANCES ON		DR <i>S. James</i> 5-26-87		PART NO	
2 PL DEC	±	CHK <i>R. Spring</i> 6-1-87	AMP AMP INCORPORATED Harrisburg, Pa. 17105		
3 PL DEC	± .010	APPD <i>W. S. Jensen</i> 6-2-87			
ANGLES	±	NAME	MR RECEPTACLE		
MATERIAL	SEE TABLE	PRODUCT SPEC			
FINISH	SEE TABLE	APPLICATION SPEC	SIZE	FSCM NO	DRAWING NO
			C	00779	350665
		WEIGHT	SCALE	5:1	SHEET 1 OF 1

CUSTOMER DRAWING