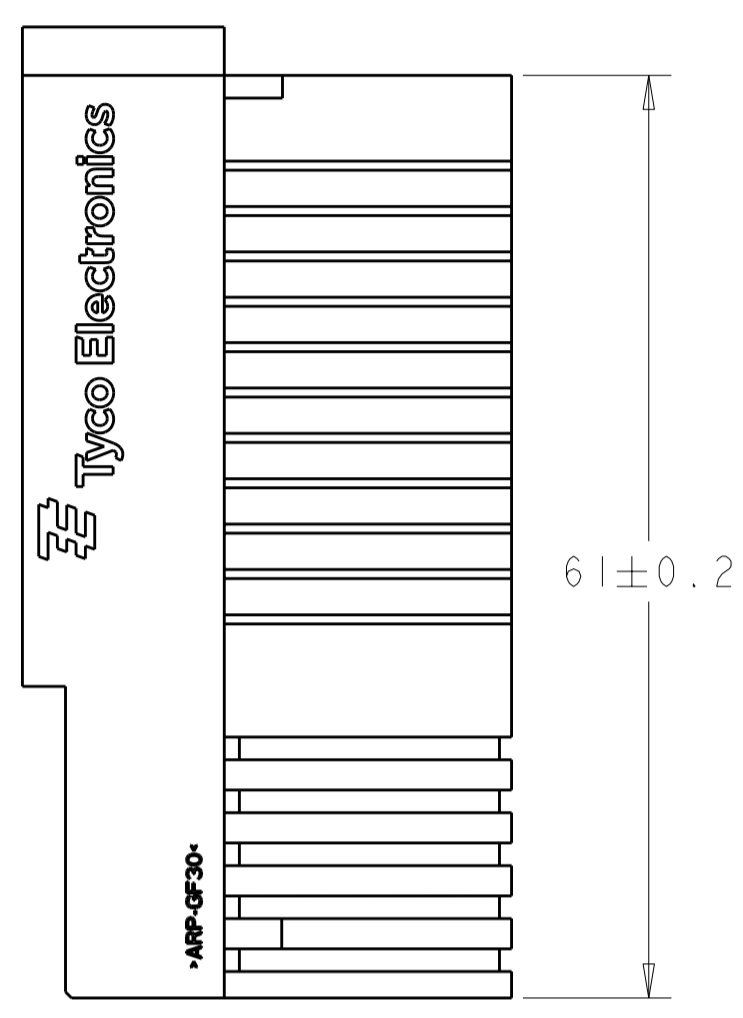
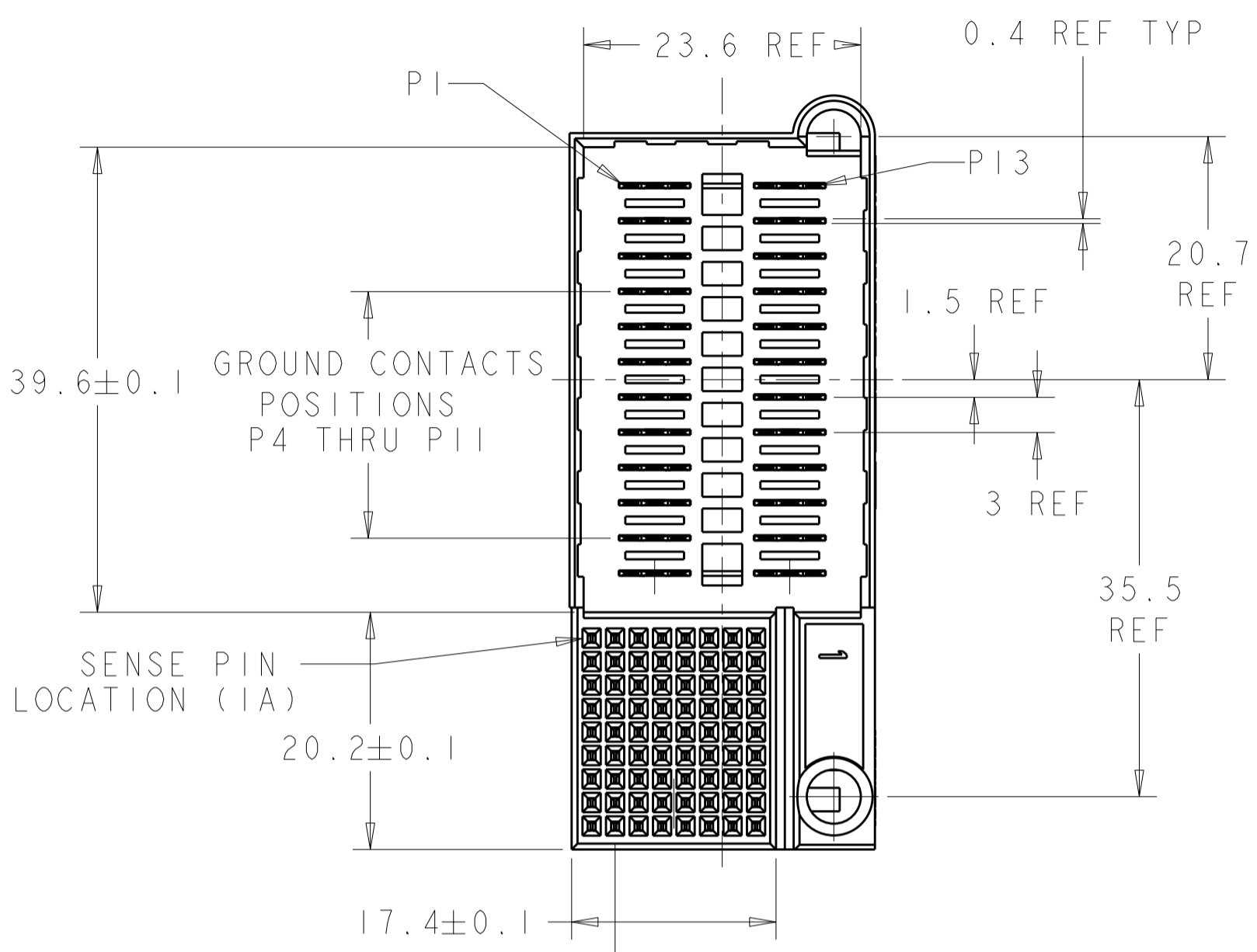
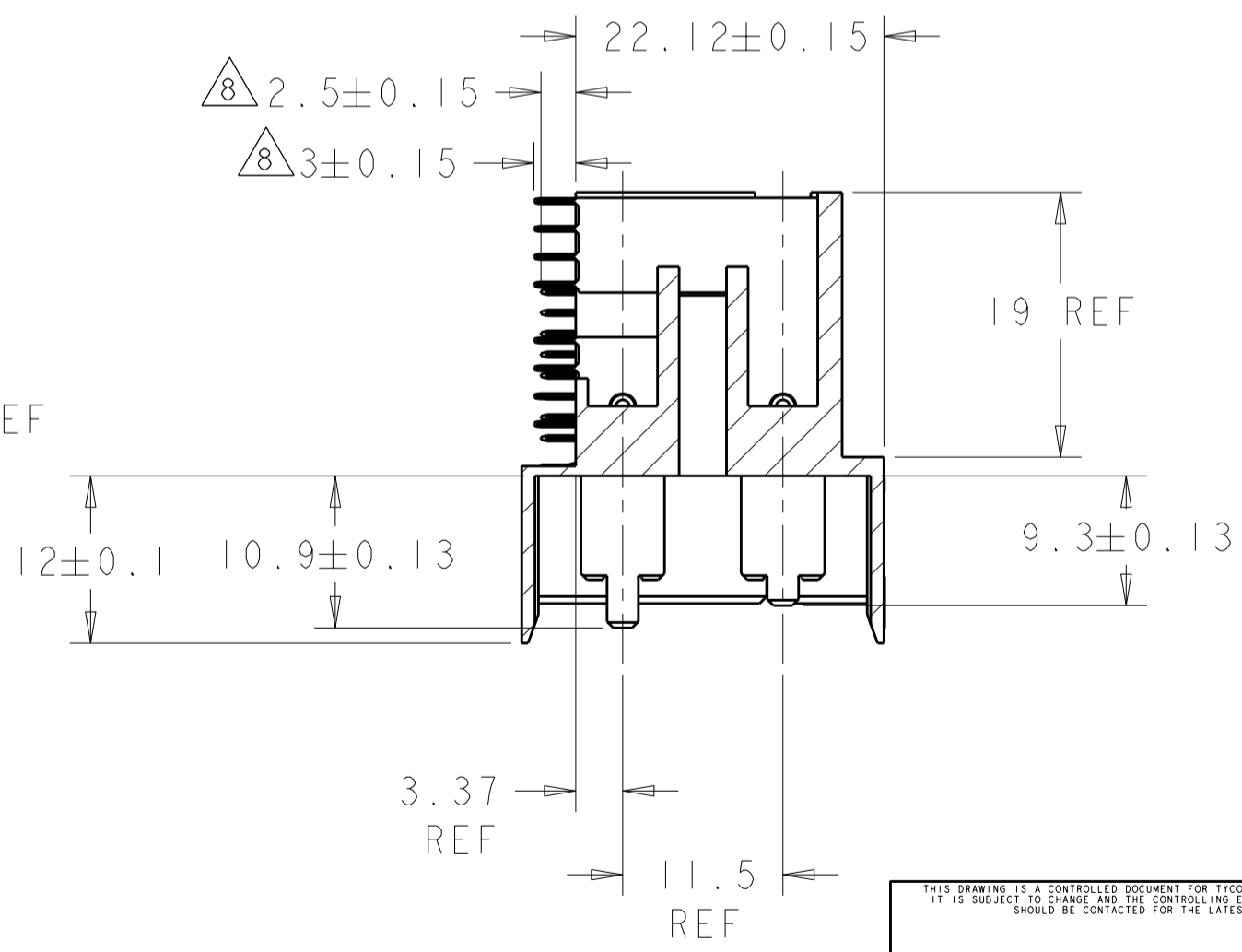
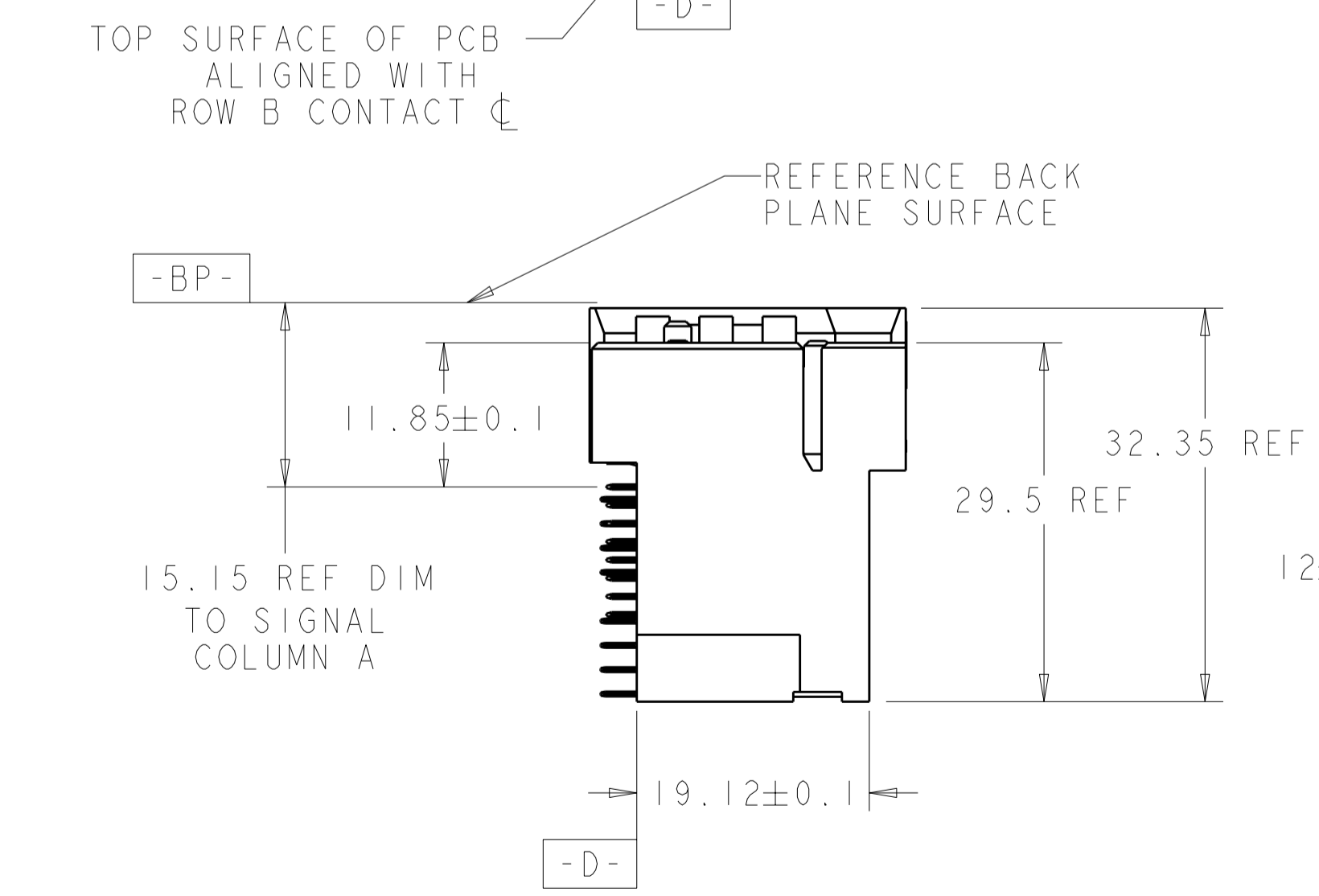


THIS DRAWING IS UNPUBLISHED. RELEASED FOR PUBLICATION 20  
 © COPYRIGHT 20 BY TYCO ELECTRONICS CORPORATION. ALL RIGHTS RESERVED.

LOC		DIST		REVISIONS			
P	LTR	DESCRIPTION	DATE	DWN	APVD		
CG	00	A	REV PER ECO-08-023960	26SEP2008	CR	MP	



- 1 PCB HOLE DIM:  
 DRILLED HOLE = 0.700 ±0.02 mm}  
 FINISHED HOLE = 0.600 mm REF  
 Cu THICKNESS = 0.025 - 0.050 mm WITH EITHER  
 HASL Sn Pb = 0.004-0.015 mm OR  
 IMMERSION Sn = 0.0005 mm MIN OR  
 OSP = 0.0002-0.0005 mm OR  
 IMMERSION Ag = 0.0001 mm OR  
 IMMERSION Au/Ni = 0.0001-0.0005 Au OVER 0.004-0.005 Ni
- 2 MATERIAL ;  
 HOUSING - GLASS FILLED POLYESTER  
 CONTACTS - COPPER ALLOY
- 3 FINISH: MATING AREA - MEETS PERFORMANCE REQUIREMENTS OF PICMG MICRO TCA.0 DRAFT SPECIFICATION.  
 SOLDER PIN AREA - 0.5 um TIN OVER 1.27 um MIN NICKEL.
- 4. CONNECTOR MARKED WITH PART NUMBER AND DATE CODE.
- 5 DATUMS AND BASIC DIMENSIONS ESTABLISHED BY CUSTOMER.
- 6. CONTACT AREA LUBRICATED WITH BELLCORE APPROVED LUBRICANT. TECHNICAL REFERENCE GR-1217-CORE, ISSUE 1, NOVEMBER 1995.
- 7 GROUND CONTACT POSITIONS P4 THRU P11 MATE FIRST.
- 8 TAILS ARE COINED TO PRODUCE A RESULTANT 0.43 DIAMETER.

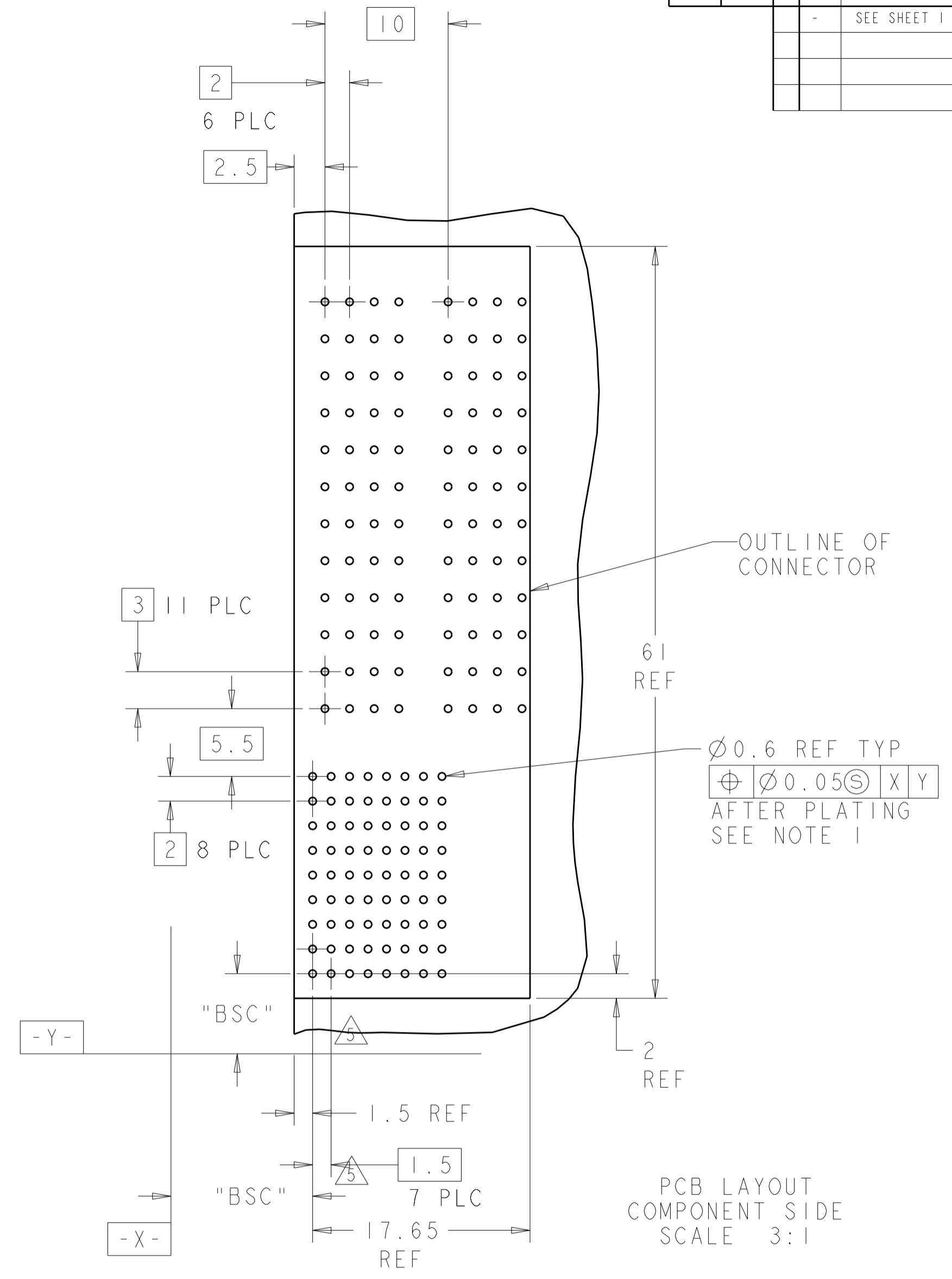
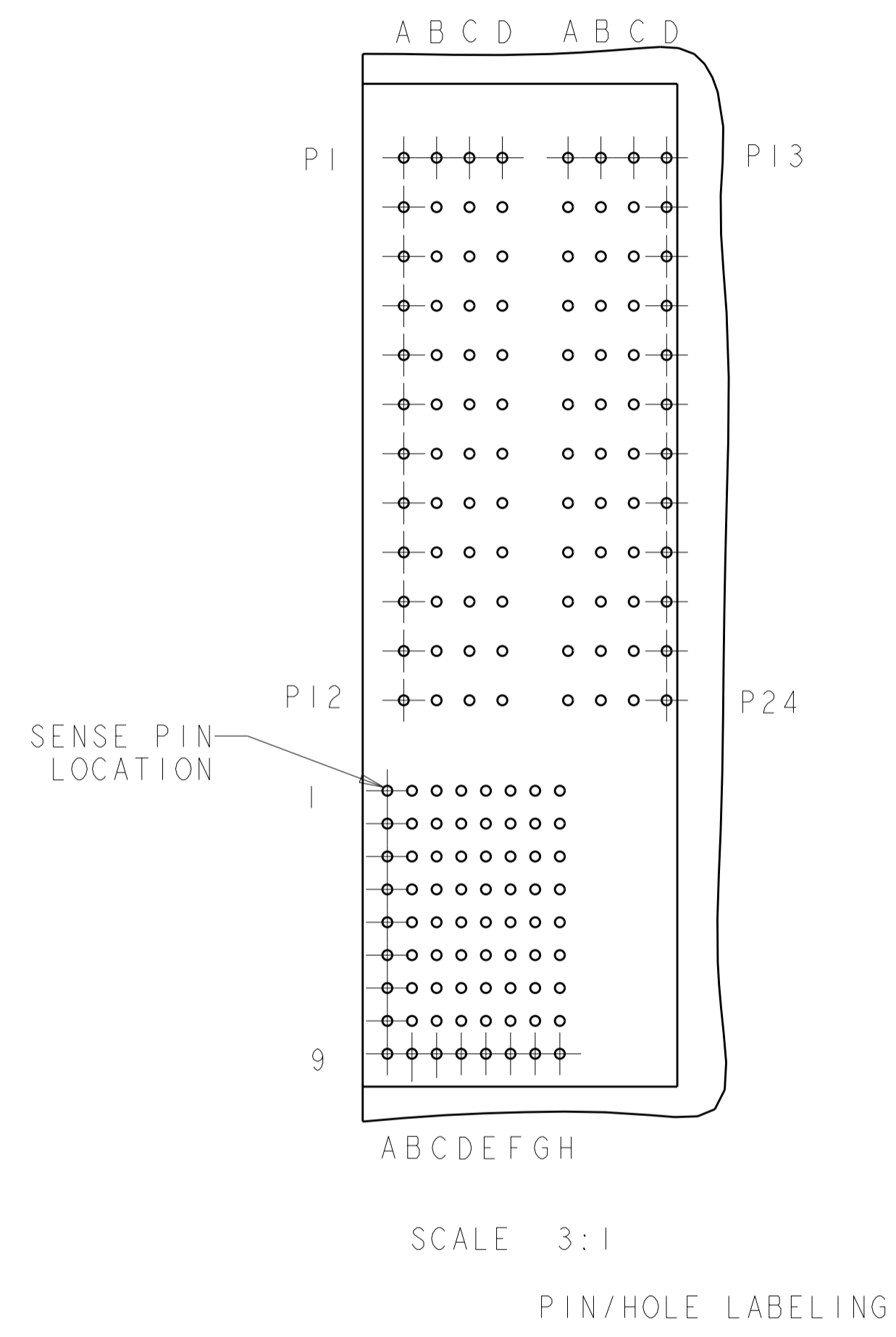


AS SHOWN	1469921-1
DESCRIPTION	PART NUMBER

THIS DRAWING IS A CONTROLLED DOCUMENT FOR TYCO ELECTRONICS CORPORATION. IT IS SUBJECT TO CHANGE AND THE CONTROLLING ENGINEERING ORGANIZATION SHOULD BE CONTACTED FOR THE LATEST REVISION.		DWN D. SZCZESNY 03apr06	Tyco Electronics Harrisburg, PA 17105-3608	
DIMENSIONS: mm		CHK -	NAME M. PERCHERKE	
TOLERANCES UNLESS OTHERWISE SPECIFIED: 0 PLC ±0.1 1 PLC ±0.1 2 PLC ±0.13 3 PLC ±0.013 4 PLC ±0.0001 ANGLES ±1 FINISH		APVD M. PERCHERKE 26SEP08	PRODUCT SPEC -	
MATERIAL		APPLICATION SPEC -	RESTRICTED TO -	
2		WEIGHT -	SIZE A200779	
3		DRAWING NO C-1469921		SCALE 2:1
CUSTOMER DRAWING		SHEET 1 OF 2		REV A

THIS DRAWING IS UNPUBLISHED. RELEASED FOR PUBLICATION 20  
 © COPYRIGHT 20 BY TYCO ELECTRONICS CORPORATION. ALL RIGHTS RESERVED.

LOC	DIST	REVISIONS					
CG	00	P	LTR	DESCRIPTION	DATE	DWN	APVD
		-		SEE SHEET 1			



THIS DRAWING IS A CONTROLLED DOCUMENT FOR TYCO ELECTRONICS CORPORATION IT IS SUBJECT TO CHANGE AND THE CONTROLLING ENGINEERING ORGANIZATION SHOULD BE CONTACTED FOR THE LATEST REVISION.		DWN D. SZCZESNY 03apr06	Tyco Electronics Harrisburg, PA 17105-3608	
DIMENSIONS: mm		CHK -	NAME MINIPAK HD POWER/SIGNAL CONNECTOR SOLDER TAIL VERSION	
TOLERANCES UNLESS OTHERWISE SPECIFIED:		APVD M. PERCHERKE 26SEP08	SIZE A200779	
0 PLC ±0.1 1 PLC ±0.1 2 PLC ±0.13 3 PLC ±0.013 4 PLC ±0.0001 ANGLES ±1		PRODUCT SPEC -	DRAWING NO C-1469921	
MATERIAL		APPLICATION SPEC -	RESTRICTED TO -	
FINISH		WEIGHT -	SCALE 2:1 SHEET 2 OF 2 REV A	
CUSTOMER DRAWING				