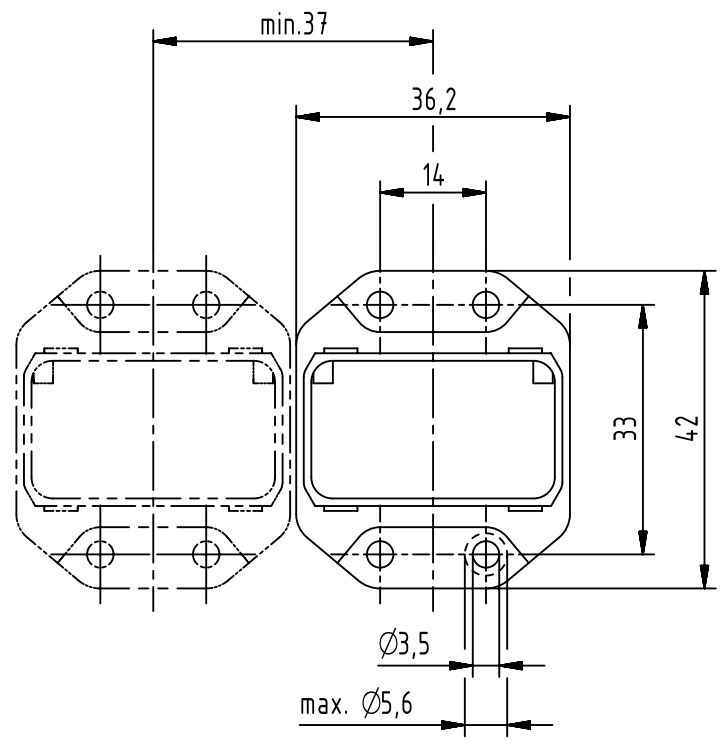
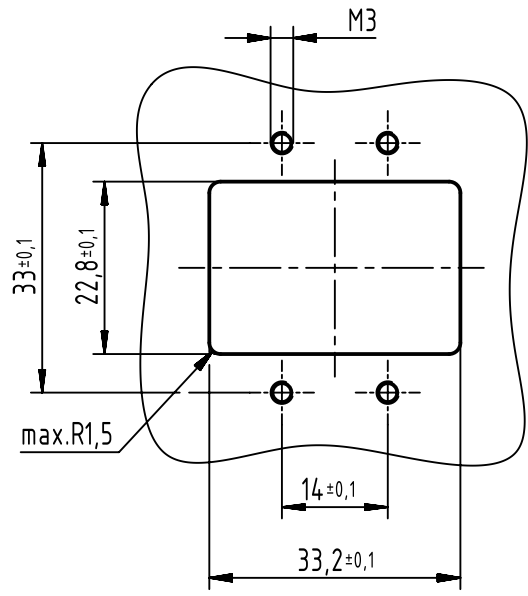
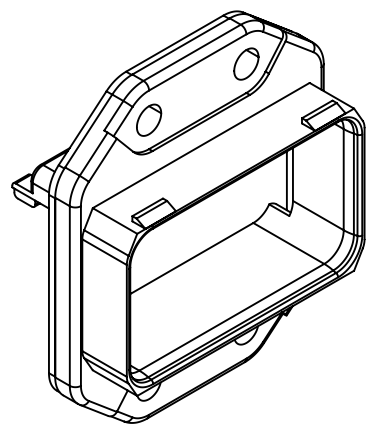
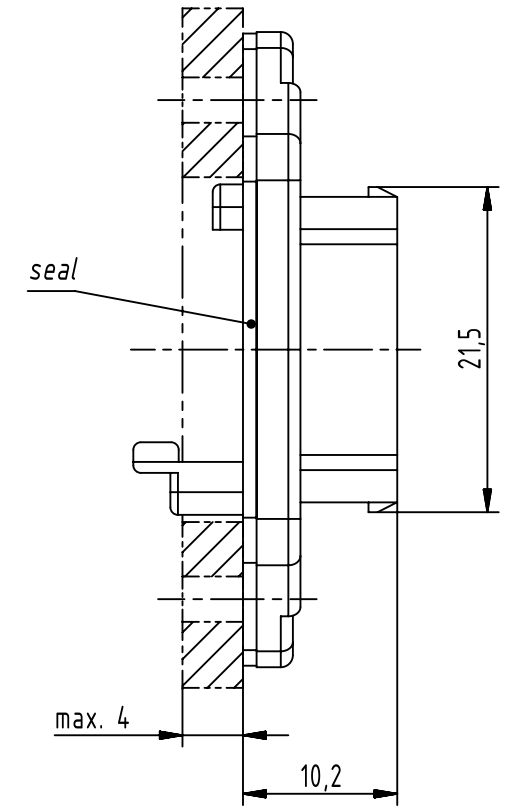


1 2 3 4 5 6

panel cut out



(2:1)



	All rights reserved Department EC PD - DE	All Dimensions in mm Original Size DIN A4			Scale 1:1	Free size tol.	Ref. Sub. TB 09 35 004 0321 36488 21.02.12
		HARTING Electronics GmbH D-32339 Espelkamp	Created by ELLERMANN	Inspected by DAHMS	Standardisation HOFFMANN	Date 2014-03-11	State Final Release
		Title Han PP Power L housing bulkhead mounting plastic				Rev. B Page 1/1	
		Type TB	Number 09350040321				