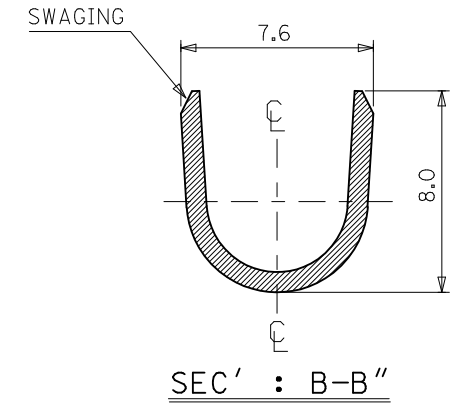
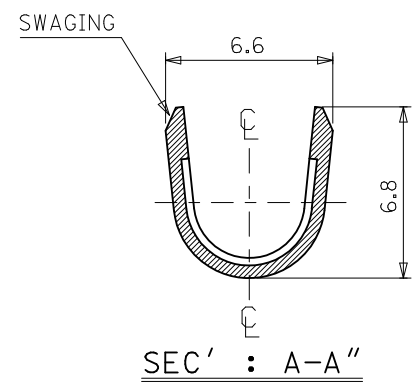
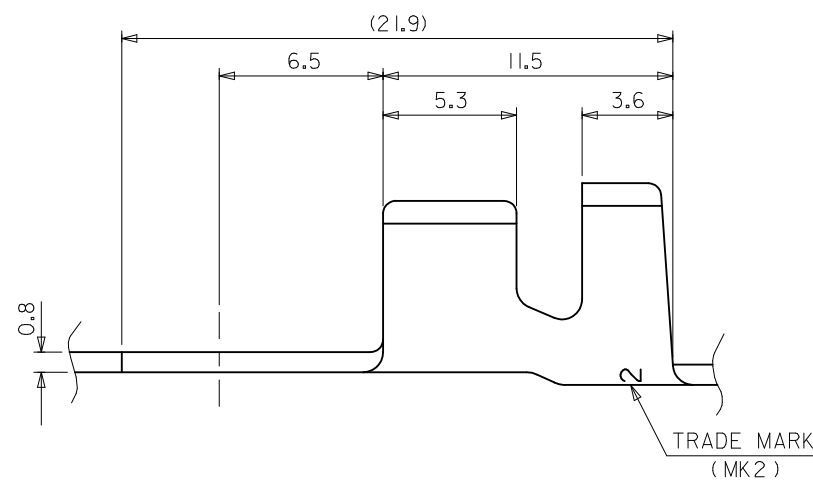


- NOTES.
1. MATERIAL : BRASS 0.8 THICKNESS
  2. FINISH : 35750-1700 : UNPLATED  
35750-1710 : POST PLATED TIN
  3. APPLICABLE WIRE : AWG#8~AWG#14<sup>Ⓜ</sup>  
INSULATION RANGE  $\phi 5.4$  MAX<sup>Ⓜ</sup>
  4. RECOMMENDED LENGTH OF WIRE STRIP IS 7.0~7.8mm<sup>Ⓜ</sup>



REVISED EC NO: KOR2012-0111 DRWN:HYOU CHKD:SH.CHU APPR:YSK1M02 2012/04/21 2012/04/25	QUALITY SYMBOLS ▽=0 ◻=0	GENERAL TOLERANCES (UNLESS SPECIFIED)		DIMENSION STYLE <b>MM ONLY</b>	SCALE <b>1:1</b>	DESIGN UNITS <b>METRIC</b>	THIRD ANGLE PROJECTION	
		4 PLACES ± --- ± ---	mm INCH	DRAWN BY JS.KANG	DATE 1993/07/08	TITLE <b>4.5 RING TM(LA204)</b>		
		3 PLACES ± --- ± ---		CHECKED BY BK.CH01	DATE 1993/07/08			
		2 PLACES ± --- ± ---		APPROVED BY YSK1M02	DATE 2012/04/25			
1 PLACE ± 0.3 ± ---		ANGULAR ± 1 °		MATERIAL NO. <b>SEE NOTES</b>	DOCUMENT NO. <b>SD-35750-17*0</b>	SHEET NO. <b>1 OF 1</b>		
0 PLACE ± --- ± ---		DRAFT WHERE APPLICABLE MUST REMAIN WITHIN DIMENSIONS		SIZE <b>A3</b>	THIS DRAWING CONTAINS INFORMATION THAT IS PROPRIETARY TO MOLEX INCORPORATED AND SHOULD NOT BE USED WITHOUT WRITTEN PERMISSION			