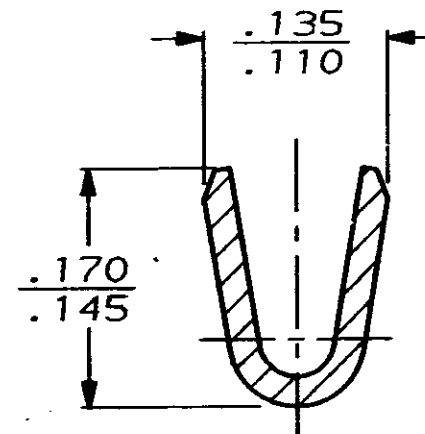
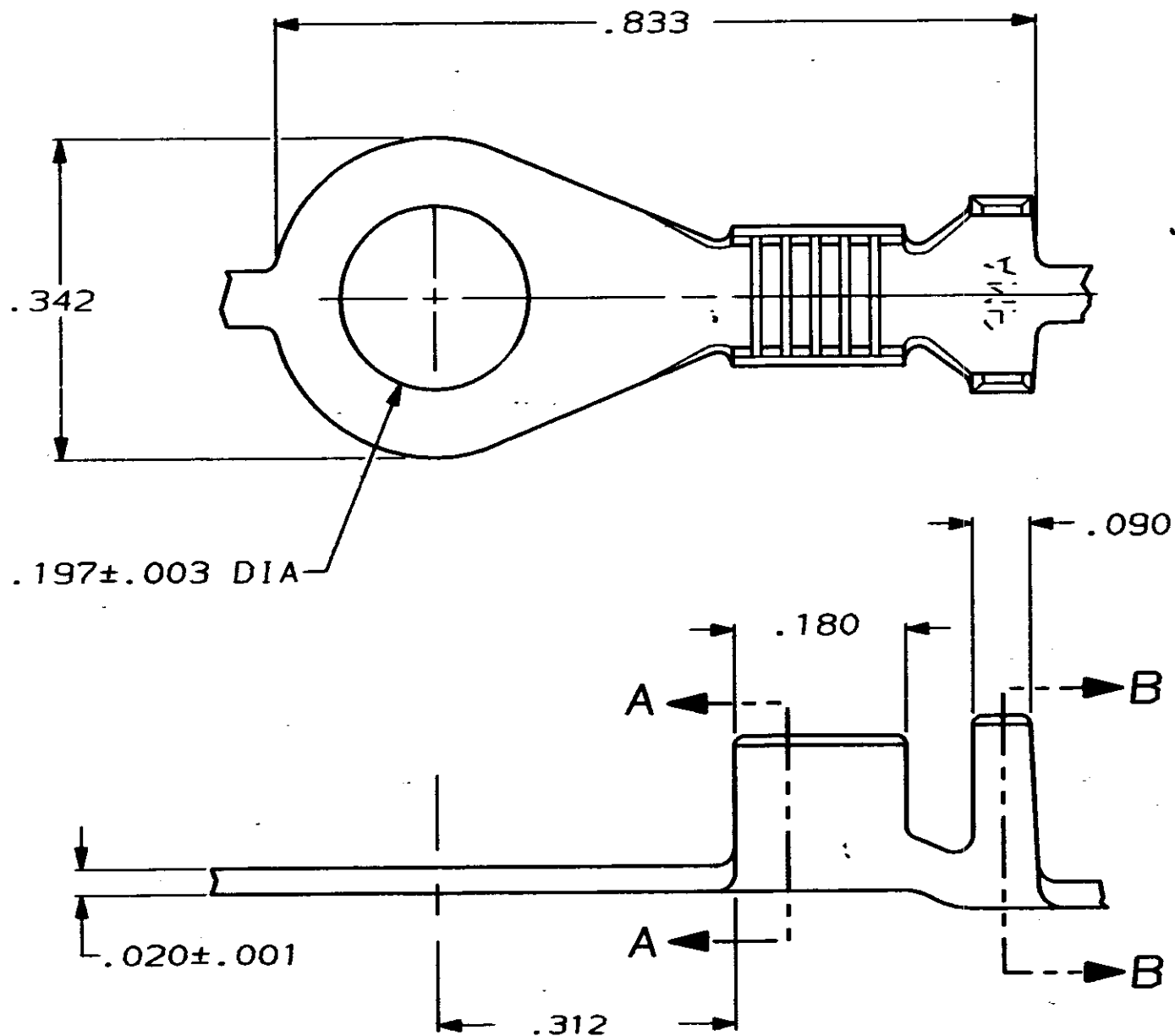


4
DRAWING MADE IN THIRD ANGLE PROJECTION

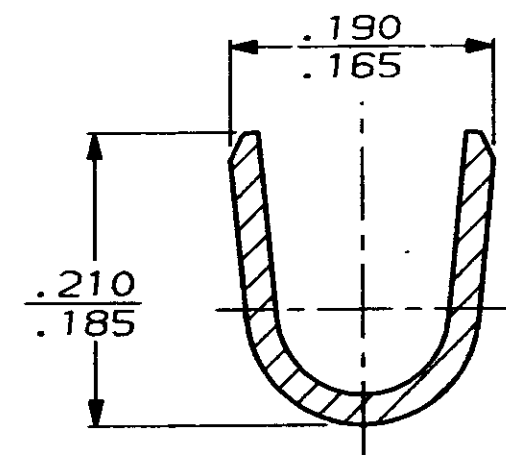
THIS DRAWING IS UNPUBLISHED. RELEASED FOR PUBLICATION ,19
 © COPYRIGHT 19 BY AMP INCORPORATED, HARRISBURG, PA. ALL INTERNATIONAL RIGHTS RESERVED. AMP PRODUCTS MAY BE COVERED BY U.S. AND FOREIGN PATENTS AND/OR PATENTS PENDING.

LOC AF DIST 50

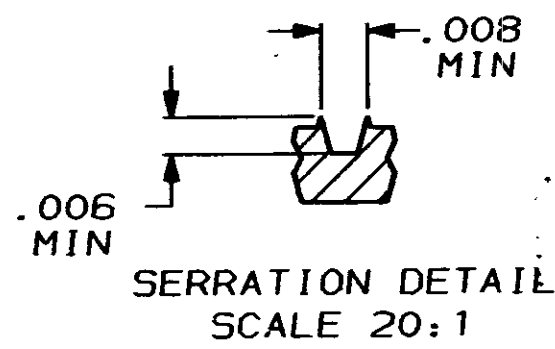
P		F		REVISIONS			
ZONE	LTR	DESCRIPTION	DATE	APPROVED			
✓	✓	J	REV PER AF-5284	4/5/88	POE/MSF		
✓	✓	K	OBS. -2 PER AF-4767	5-18-88	TMS/JT		



SECTION A-A
SCALE 8:1



SECTION B-B
SCALE 8:1



OBS.	TIN PL	.100-.140	18-14	60318-2
		.100-.140	18-14	60318-1
	FINISH	INSULATION RANGE	MAGNET WIRE SIZE	PART NO

UNLESS OTHERWISE SPECIFIED DIMENSIONS ARE IN INCHES TOLERANCES ON: 2 PL DEC ± - 3 PL DEC ± .015 ANGLES ± -	DR P FORTNEY 12/24/87
	CHK G YETTER 1/6/88
	APPD RP FRANTZ 1/7/88
	APPD TL SHUTTER 1/12/88
MATERIAL T1 BRASS	PRODUCT SPEC -
FINISH SEE TABLE	APPLICATION SPEC -
	WEIGHT -

AMP AMP INCORPORATED Harrisburg, Pa. 17105	
NAME RING, AMPLIVAR	
SIZE B	FSCM NO 00779
SCALE 6:1	DRAWING NO 60318
	SHEET 1 OF 1