

Flush-type connector - SACC-CI-M12MS-8CON-L90 SH SCO - 1437038

Please be informed that the data shown in this PDF Document is generated from our Online Catalog. Please find the complete data in the user's documentation. Our General Terms of Use for Downloads are valid (<http://download.phoenixcontact.com>)



Sensor/actuator flush-type connector, plug, 8-pos., A-coded, shielded, with angled solder connection, only contact insert

Key commercial data

| | |
|------------------------|---|
| Packing unit | 0 |
| Minimum order quantity | 20 |
| Catalog page | Page 53 (PC-2011) |
| GTIN |  4 046356 438605 |
| Custom tariff number | 85366990 |
| Country of origin | GERMANY |

Technical data

General data

| | |
|---------------------------------|--|
| Rated current at 40°C | 2 A |
| Rated voltage | 30 V |
| Number of positions | 8 |
| Volume resistance | ≤ 3 mΩ |
| Insulation resistance | ≥ 100 MΩ |
| Ambient temperature (operation) | -25 °C ... 85 °C (Male connector / female connector) |

General characteristics

| | |
|--------------------------|-------------------------------|
| Standards/regulations | M12 connector IEC 61076-2-101 |
| Coding | A - standard |
| Surge voltage category | II |
| Pollution degree | 3 |
| Degree of protection | IP67 |
| Contact material | CuZn |
| Contact surface material | Au |
| Contact carrier material | PA 66 |
| Sealing material | FKM / EPDM |
| Mounting type | PCB mounting |

Flush-type connector - SACC-CI-M12MS-8CON-L90 SH SCO - 1437038

Technical data

General characteristics

| | |
|-------------------|-------------|
| Connection method | Solder pins |
| Status display | No |

Classifications

eclass

| | |
|------------|----------|
| eCl@ss 4.0 | 27060306 |
| eCl@ss 4.1 | 27060306 |
| eCl@ss 5.0 | 27061801 |
| eCl@ss 5.1 | 27260701 |
| eCl@ss 6.0 | 27279220 |
| eCl@ss 7.0 | 27440103 |

etim

| | |
|----------|----------|
| ETIM 3.0 | EC002061 |
| ETIM 4.0 | EC002061 |

unspsc

| | |
|---------------|----------|
| UNSPSC 6.01 | 31251501 |
| UNSPSC 7.0901 | 31251501 |
| UNSPSC 11 | 31251501 |
| UNSPSC 12.01 | 31251501 |
| UNSPSC 13.2 | 31251501 |

Approvals

Approvals

Approvals

UL Recognized

Ex Approvals

Approvals submitted

Approval details

Flush-type connector - SACC-CI-M12MS-8CON-L90 SH SCO - 1437038

Approvals

| | |
|--------------------------------|------|
| UL Recognized | |
| mm ² /AWG/kcmil | 26-2 |
| Nominal current I _N | 2 A |
| Nominal voltage U _N | 30 V |

Accessories

Necessary add-on products

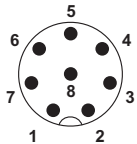
Housing screw connection - SACC-M12-SCO PLUG L90 - 1436709



M12-SPEEDCON housing screw connection for M12 male inserts, with flat gasket, for all Speedcon-compatible THR and wave soldering contact carriers

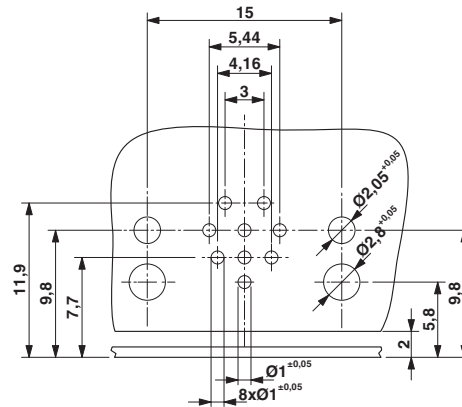
Drawings

Schematic diagram



Pin assignment M12 plug, 8-pos., A-coded, view plug side

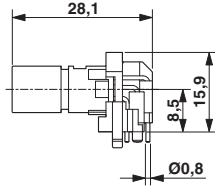
Drilling diagram



Drilling diagram only valid in connection with the SACC-M12-SCO PLUG L90 housing (order no. 1436709)

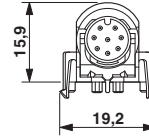
Flush-type connector - SACC-CI-M12MS-8CON-L90 SH SCO - 1437038

Dimensioned drawing



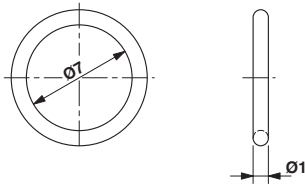
M12 flush-type connector, connector, contact carrier, side view

Dimensioned drawing



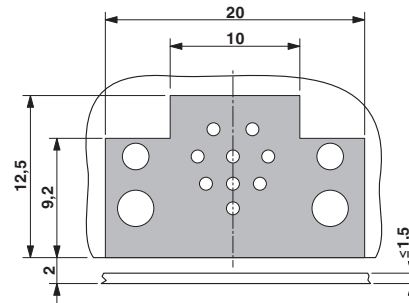
M12 flush-type connector, plug, contact carrier, front view

Dimensioned drawing



Optionally with O-ring (green) for tight seal when plugged in.
- the axial mating force of 80 N per connector may not be exceeded when using with assembled O-ring!
- Avoid radial forces!

Dimensioned drawing



Locked area on the PCB