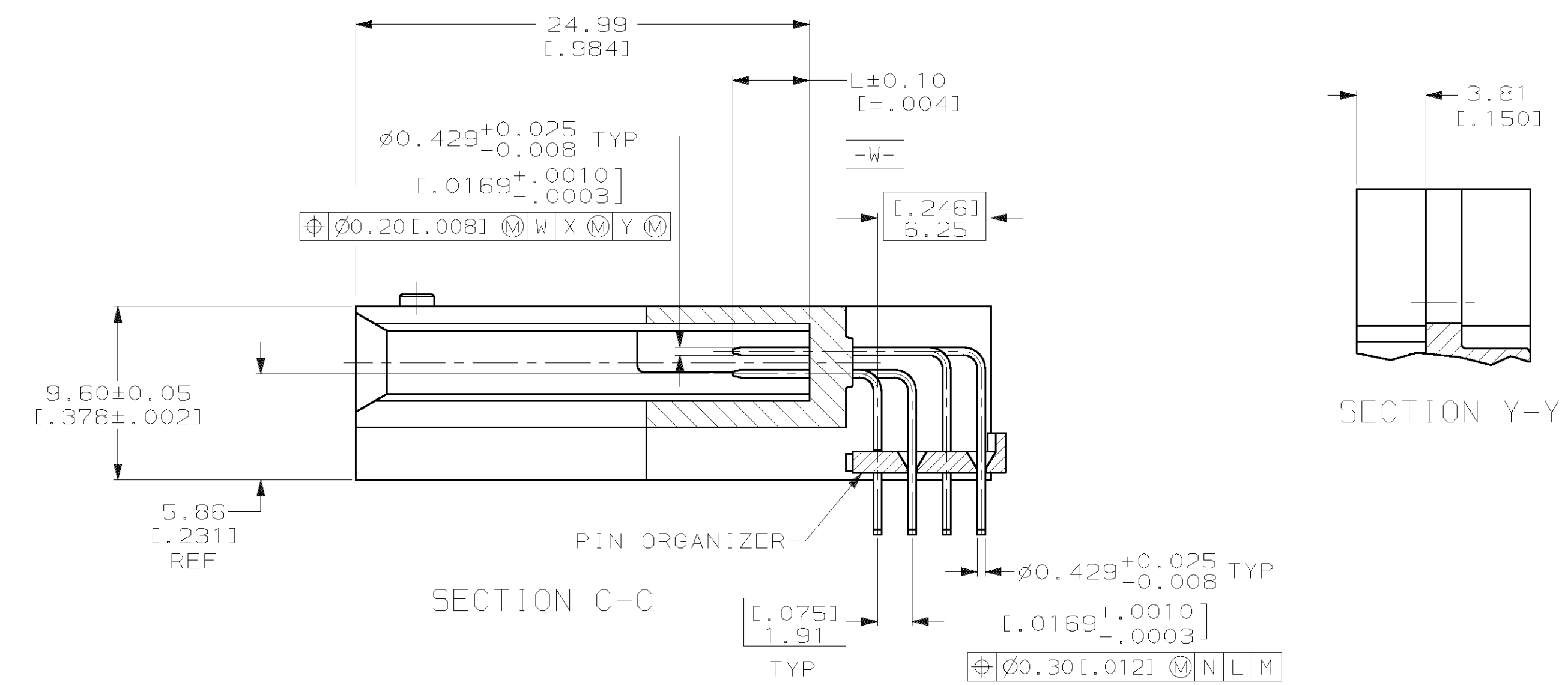
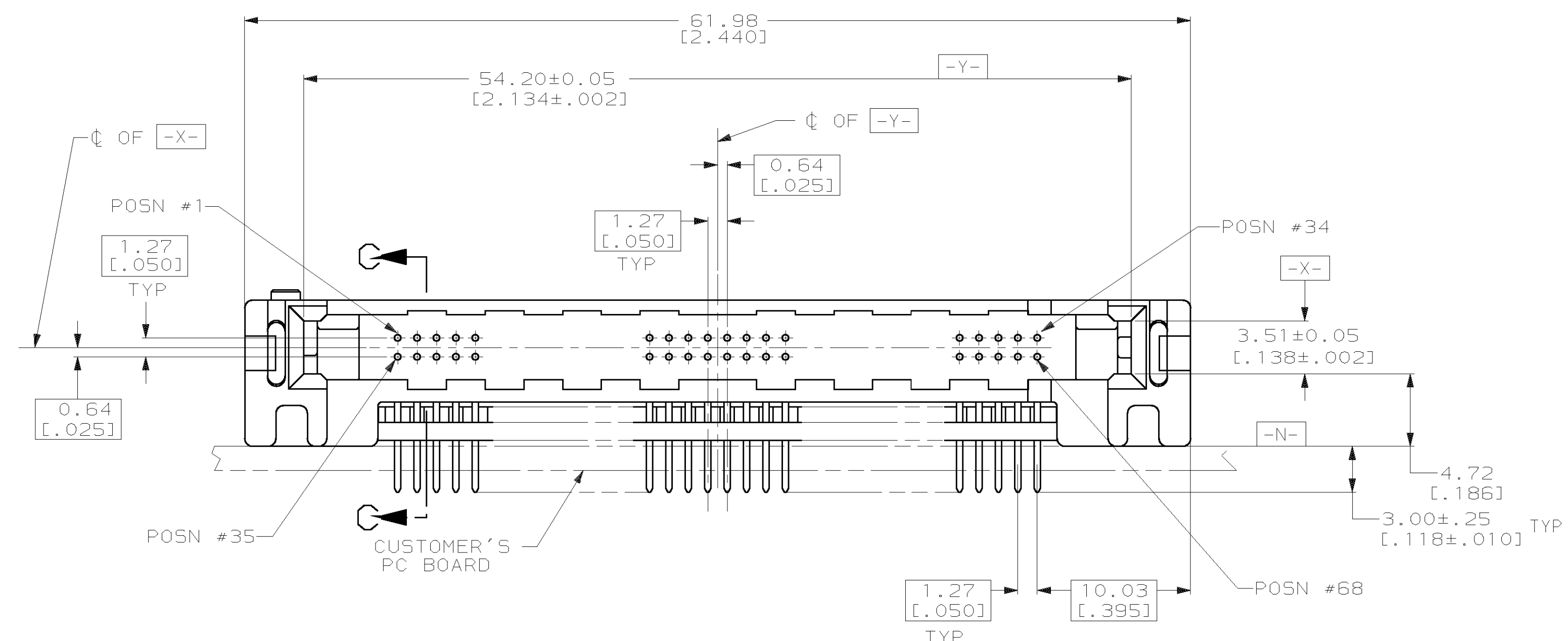
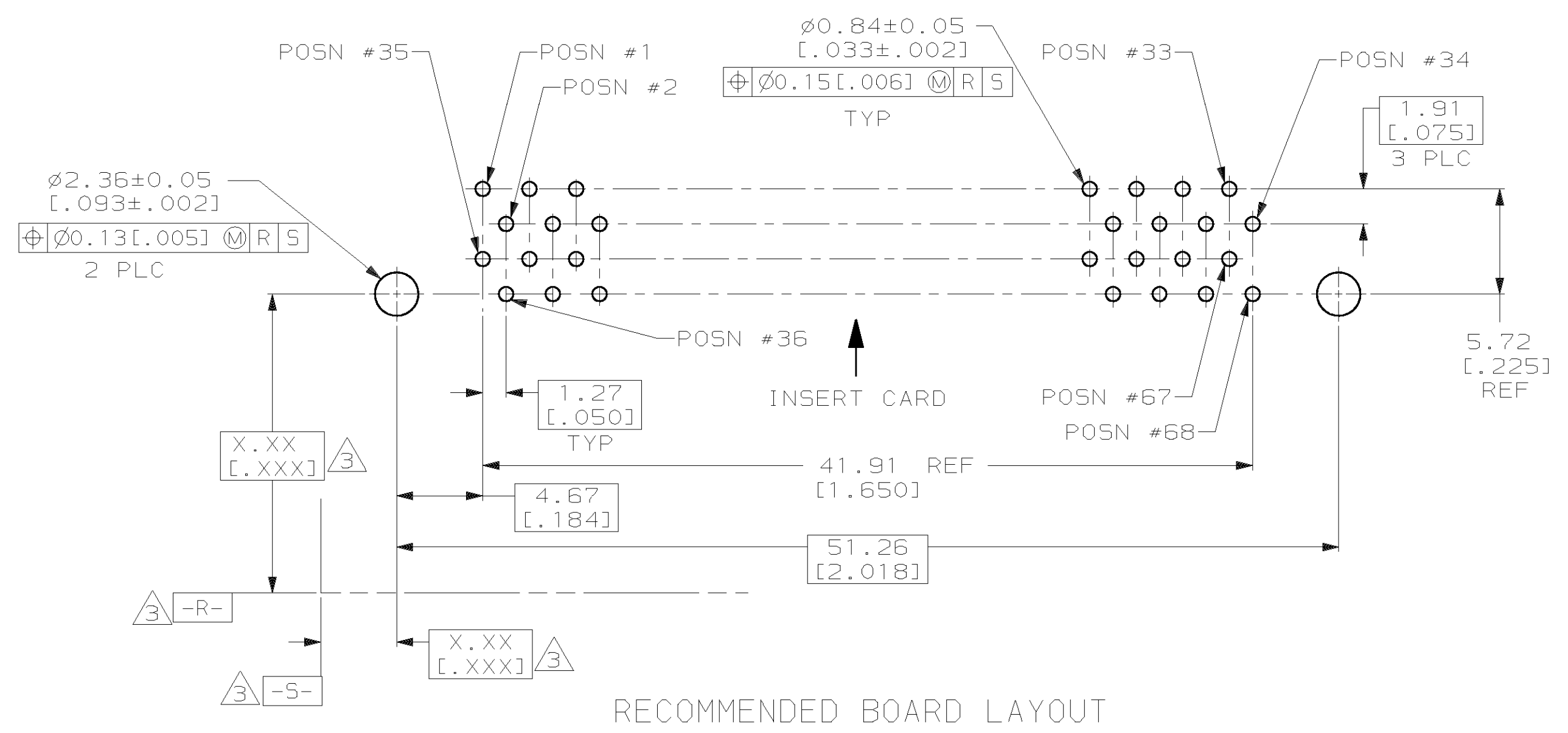
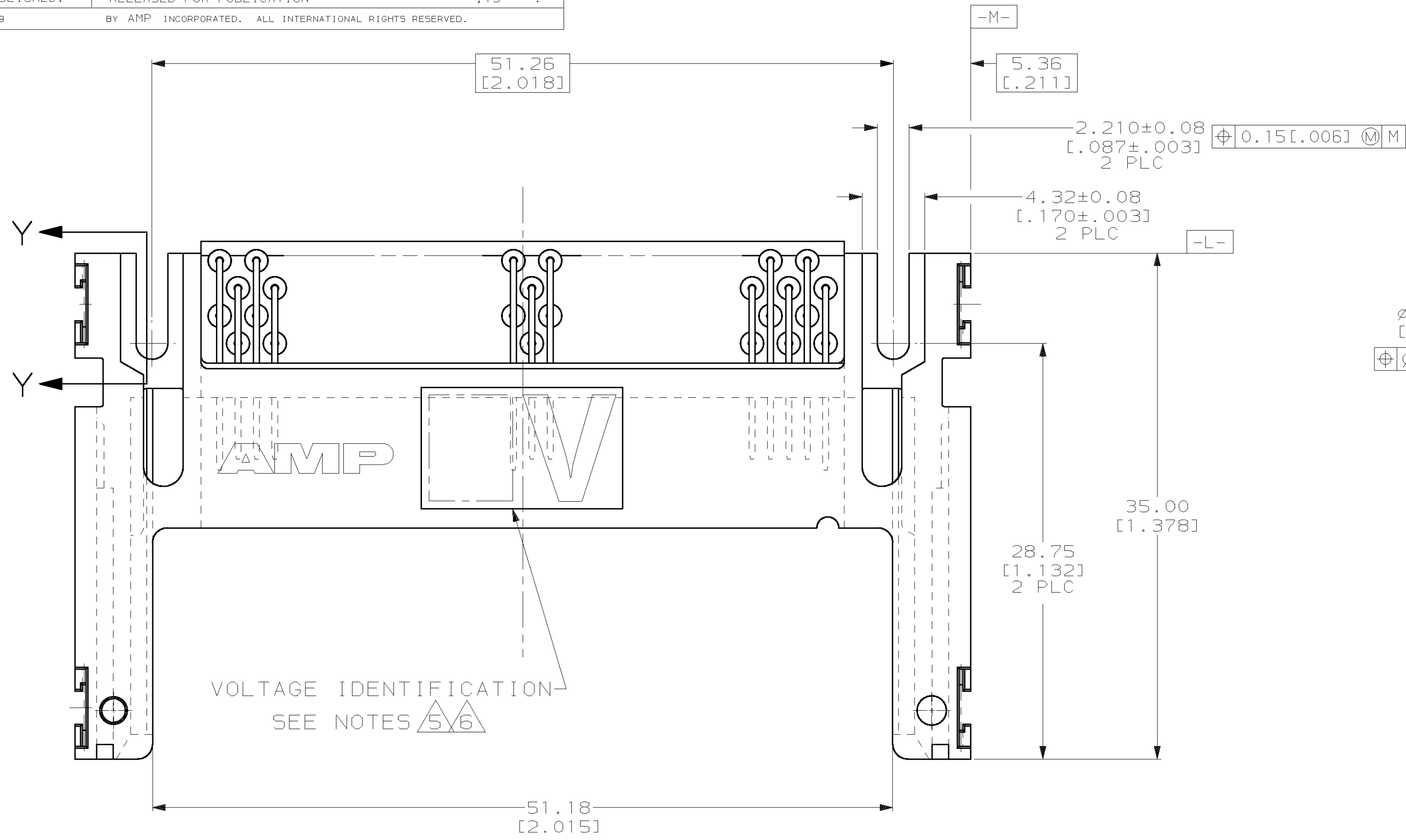


| LOC | DIST | P | F | ZONE | LTR | DESCRIPTION                  | DATE      | APPD |
|-----|------|---|---|------|-----|------------------------------|-----------|------|
| GP  | 00   |   |   |      |     | REVISIONS                    |           |      |
|     |      |   |   |      |     | 0 RELEASED PER PPR           | 3/8/93    | BE   |
|     |      |   |   |      |     | A REV PER EC 0010-0128-94    | 2/7/94    | BE   |
|     |      |   |   |      |     | B OBS -2 PER EC 0410-0185-96 | 10 JUL 97 | VR   |
|     |      |   |   |      |     | C REV PER EC 051A-0357-00    | 13NOV00   | RW   |
|     |      |   |   |      |     | D REV PER 051A-0101-01       | 05/23/01  | RW   |



1 0.00076 [0.000030] MINIMUM GOLD IN CONTACT AREA, 0.00381 [0.000150] MIN TIN-LEAD ON SOLDER TAILS, ALL OVER 0.00127 [0.000050] MINIMUM NICKEL

- 2 CUSTOMER TO PROVIDE CARD GUIDANCE SYSTEM
- 3 DATUMS AND BASIC DIMENSIONS ESTABLISHED BY CUSTOMER
- 4 CONNECTOR REQUIRES USE OF 2 - SIZE 2M SCREWS FOR FASTENING TO PRINTED CIRCUIT BOARD
- 5 ASSEMBLY KEYED FOR 5 VOLT CARDS
- 6 ASSEMBLY KEYED FOR LOW VOLT CARDS (3.3V)

|                                 |                               |              |             |         |
|---------------------------------|-------------------------------|--------------|-------------|---------|
| VOLTAGE KEYING & IDENTIFICATION | 5.0 [1.97]                    | 4.25 [1.167] | 3.5 [1.138] |         |
|                                 | "L" (PIN LENGTH) AND LOCATION |              |             | PART NO |

|   |   |   |
|---|---|---|
| DO NOT SCALE PRINT. UNLESS SPECIFIED DIMENSIONS IN mm [INCHES] TOLERANCES ON: 2 PLC DEC ± 0.13 [0.005] 3 PLC DEC ± - ANGLES ± - | DR 3/8/93 J MOSER<br>CHK 3/8/93 B ELICKER<br>APPD 3/8/93 B ELICKER<br>APPD 3/8/93 B FLINCHBAUGH<br>PRODUCT SPEC -<br>APPLICATION SPEC -<br>WEIGHT 8.5 GRAMS | AMP Incorporated Harrisburg, PA 17105-3508<br>NAME PIN HEADER ASSY, 68 POSN, RAISED HEIGHT, TOP BD MTG, THRU-HOLE, AMP MEMORY CARD<br>SIZE D<br>CAGE CODE 00779<br>DRAWING NO C-535655<br>SCALE 4:1<br>SHEET 1 OF 1 |
|---|---|---|

THIS DRAWING IS A CONTROLLED DOCUMENT FOR AMP INCORPORATED. IT IS SUBJECT TO CHANGE AND THE CONTROLLING ENGINEERING ORGANIZATION SHOULD BE CONTACTED FOR THE LATEST REVISION.