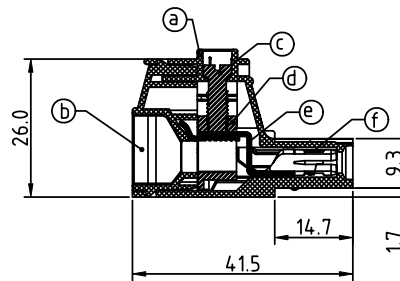
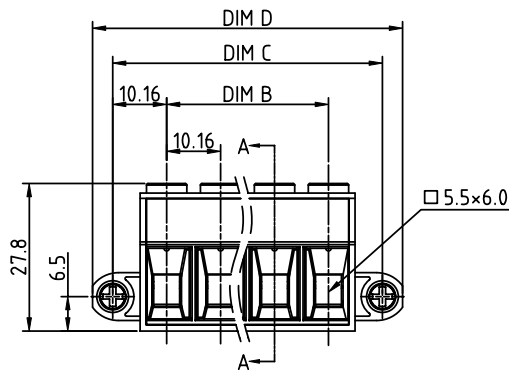
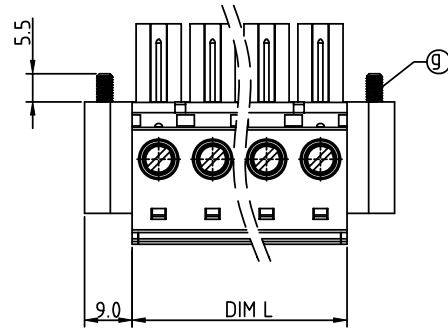


PRODUCT NUMBER	PITCH
EVxx61x100J0G	10.16mm



SECTION A-A

Material

- Item ① Terminal body :Thermoplastic (UL94V-0)
- Item ② Terminal cover:Thermoplastic (UL94V-0)
- Item ③ Terminal screw :Steel Cr3+ Zinc plating "-" slot type
- Item ④ Clamp: Brass, Ni plated
- Item ⑤ Female contact :Copper Tin plated
- Item ⑥ Wire guard :Stainless Steel
- Item ⑦ With flange screw :Steel Zinc plating M3"/+/-"slot type

Electrical cULus / IEC

- Voltage rating: 300VAC / 1000VAC
- Current rating: 55A / 76A
- Solid wire: 6-20 / 0.5-16mm²
- Stranded wire: 6-20 / 0.5-16mm²
- Torque: 10.4 Lb-In / 1.2 N.m
- Screw: M4.5
- Wire strip length: 13-14mm
- Withstanding Voltage: 1.6KV / 8KV
- Operating temperature: -40°C to +115°C
- Safety Approval:

DIMENSION

Dim L	(N-1)×10.16+10.0
Dim B	(N-1)×10.16
Dim C	(N-1)×10.16+20.32
Dim D	(N-1)×10.16+27.92

N=Number of poles

Poles	Tolerance
2p-6p	±0.25
7p-12p	±0.35

PART NO.: EV xx 61 x 1 00J0 G

Solid block	0	Color	Black (RAL9005)	RoHS compliant	(lead<4%)
No. of poles	2		Red (RAL3001/D)	In copper Alloy	
02 2 poles	3		Orange(RAL2011/P)		
03 3 poles	4		Yellow(RAL1018/A)		
...	5		Green(RAL6018/T)		
12 12 poles	6		Blue (RAL5015/A)		
	8		Grey(RAL7035/D)		
	9		White(RAL1102)		
	C		Green(RAL6018/U)		

mat'l. code		surface	tolerance	projection	product family
ASME Y14.5		ASME Y14.5	ASME Y14.5		TERMINAL BLOCK
ltr	ecn no	dr	date	tolerances unless otherwise specified	title
				angles	TERMINAL BLOCK
				MM	PLUGGABLE PLUG, WITH FLANGE
				scale	scale
		dr	EVIN ZHONG	041814	dwg no
		enr	EVIN ZHONG	041814	sheet 1 of 1
		chr	HANKE FENG	041814	size
		appd	SHI JUN	041814	A4
					type
					CUSTOMER Drawing
sheet index	revision	A			
	sheet	1			