



# ST20138 Unicorn II

## USB ADSL modem chipset: ST70138 + MTC20174 for ultra-low-BOM ADSL modem designs

Data Brief

### Description

Performance, cost and time to market are key factors in DSL modem development.

The Unicorn II chipset has been designed with all these care-about in mind, providing CPE manufacturers with a complete and extremely cost-effective solution for ADSL USB modems operating under a variety of operating systems, such as Microsoft Windows™, Mac OS and Linux. The controller-less architecture of the Unicorn II and the fact that it does not require an external SDRAM, make its external bill-of-materials (E-BOM) best-in-class. Thanks to its small form factor packages and an external component count of less than 140, the Unicorn II easily fits on a small-dimension standard 2-layer single-sided PCB which further reduces overall system cost. Combining low power consumption, high-speed performance (up to 8 Mbps), field-proven driver software and customizable user interface, the Unicorn II is the ideal choice for cost-conscious equipment manufacturers, telecom operators/ISPs and ADSL users alike.

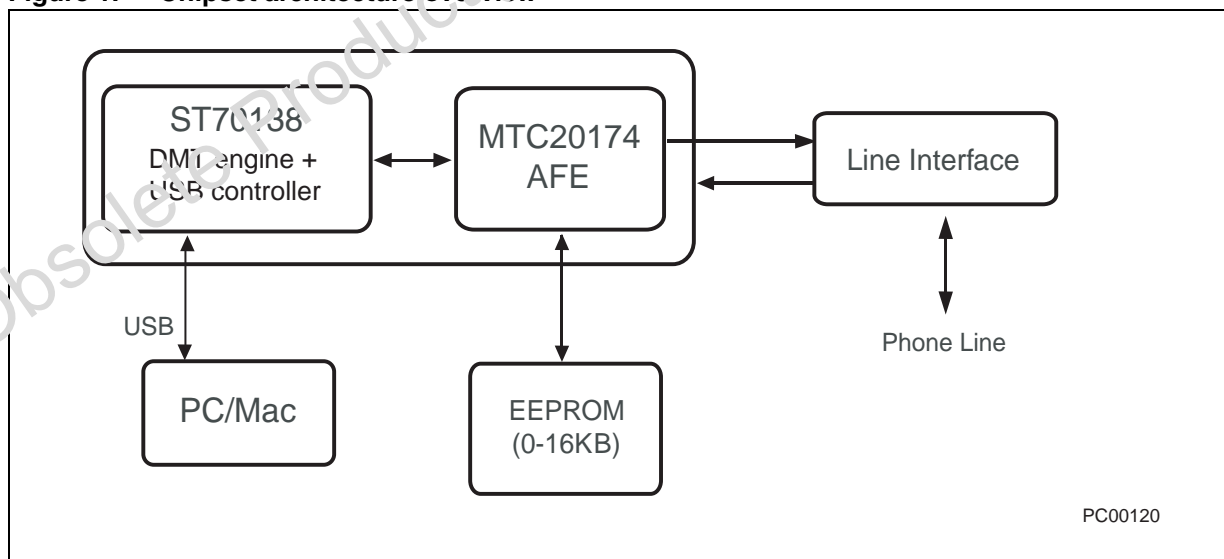
The Unicorn II chipset consists of the ST70138 digital chip and the MTC20174 analog front end with integrated line driver.

The ST70138 is supplied in two packages, LBGA80 and TQFP144. The ST70138T, packaged in TQ144, is pin-compatible to the ST70137 legacy ADSL USB chipset, enabling manufacturers to benefit directly from the cost and performance advantages that the ST70138 brings.

Supplied in a compact LBGA80 package, the ST70138B brings additional cost advantages to new designs.

The MTC20174 has been designed for use in DMT-based ADSL CPE modems than comply with ANSI T1.413 issue 2, ITU G.992.1 (G.dmt) and ITU G.992.2 (G.lite), for Annex A and B, and the DSL-U-S2 specification.

Figure 1. Chipset architecture overview



# 1 Standard compliance and interoperability

Drawing from eleven years of experience, ST developed this chipset that offers full compatibility with full-rate and G.lite ADSL standards, as well as the USB1.1 standard including plug-and-play support. The Unicorn II comes with a complete set of drivers for Microsoft Windows, Mac OS and Linux. It is fully interoperable with all major ADSL and ADSL2+ DSLAMs and complies with TR-048 (DSL Forum) and ETSI 101 388 performance requirements.

## 1.1 Supported protocols

- RFC 2684 bridged (LLC/SNAP and VCMUX), replacing RFC 1483
- RFC 2684 routed (LLC/SNAP and VCMUX), replacing RFC 1483
- RFC 2364 PPP over ATM (LLC and VCMUX)
- RFC 2516 PPP over Ethernet (LLC and VCMUX)
- RFC 2225 Classical IP over ATM

## 1.2 ATM and ATM adaptation support

- VPI range: 0 - 255
- VCI range: 32 - 65535.
- UNI 3.0, 3.1, 4.0 signaling
- TR37 (auto-configuration)
- UBR, CBR (with customizable parameters)
- AAL0, AAL5

## 2 Software suite

The Unicorn II reference design package includes a comprehensive set of software drivers and tools for Windows, Mac and Linux, including PC software for modem control and communications protocols. The software drivers are fully configurable and include diagnostic tools which are specifically developed to minimize operator helpdesk interactions.

### 2.1 Software interface

- NDIS WAN or NDIS5-ATM PCI driver and USB driver
- MAC / Linux OS: Open Transport driver

### 2.2 OS support

- Win98, Win98SE, WinME, Win2K, WinXP, Windows Vista
- MAC OS 8.6 till 10.4.x
- Up to Linux kernel 2.6.x

### 2.3 Hardware interfaces

- USB connector
- RJ11 connector

### 2.4 Maximum supported speed

- 8Mbps downstream
- 1Mbps upstream

## UNICORN II™ USB controller-less ADSL transceiver

Data Brief

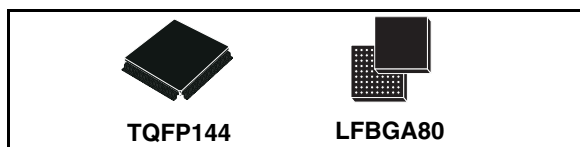
### Features

- Support digital signal processing requirements for one ADSL CPE channel (ITU-R)
- Compliant with ITU 992.1 (ADSL full rate) Annex A (ADSL over POTS), Annex B (ADSL over ISDN), ITU 922.2 (G.LITE) and ANSI T1.413.
- Enhanced FTP transfer capabilities
- Direct interface to USB (USB release 1.1 specification)
- Direct interface to external 8/16 bit serial memory to support USB user's configuration
- Direct analog front end interface for MTC20174
- Clock and reset interface
- 1.8V and 3.3V power supply
- TTL logic levels compatible
- Power management capabilities
- Low power consumption : max 0.45W
- TQFP144 (backward compatible with ST70137 legacy ADSL USB chip)
- LFBGA80

### Description

The Unicorn II chipset is succeeding the field-proven Unicorn, the first controller-less ADSL USB modem chipset that was deployed in volume. Compared to conventional USB ADSL chipsets, the Unicorn II dramatically reduces design and production costs of USB ADSL modems. The chipset which is manufactured in a cost-effective CMOS technology integrates a number of external components which results in reduced component count and PCB complexity. Thus E-BOM costs could be lowered significantly, while overall performance was improved.

Its proven controller-less and SDRAM-less architecture is a key differentiator in today's highly



competitive and cost-focused DSL modem market.

The Unicorn II chipset has been designed to provide CPE manufacturers with a complete and extremely cost-effective solution for ADSL USB modems operating under a variety of operating systems, such as Microsoft Windows™, Mac OS and Linux. The controller-less architecture of the Unicorn II and the fact that it does not require an external SDRAM, make its external bill-of-materials (E-BOM) best-in-class.

Thanks to its small form factor packages and an external component count of less than 140, the Unicorn II easily fits on a small-dimension standard 2-layer single-sided PCB which further reduces overall system cost. Combining low power consumption, high-speed performance (up to 8 Mbps), field-proven driver software and customizable user interface, the Unicorn II is the ideal choice for cost-conscious equipment manufacturers, telecom operators/ISPs and ADSL users alike.

The Unicorn II chipset consists of the ST70138 digital chip and the MTC20174 analog front end with integrated line driver. The ST70138 is supplied in two packages, LFBGA80 and TQFP144. The ST70138T, packaged in TQFP144, is pin-compatible to the ST70137 legacy ADSL USB chipset, enabling manufacturers to benefit directly from the cost and performance advantages that the ST70138 brings. Supplied in a compact LFBGA80 package, the ST70138B brings additional cost advantages to new designs. The MTC20174 has been designed for use in DMT-based ADSL CPE modems than comply with ANSI T1.413 issue 2, ITU G.992.1 (G.dmt) and ITU G.992.2 (G.lite), for Annex A and B, and the DT U-R2 specification.

## Ordering information

**Table 1. Order codes**

Part Number	Package
E-ST70138B	LFBGA80 <sup>(1)</sup>
E-ST70138T	TQFP144 (*)

1. Ecopack

Obsolete Product(s) - Obsolete Product(s)



# MTC20174

## ADSL analog front-end with integrated line driver for CPE application

Data Brief

### Features

- Fully Integrated AFE and Line Driver for ADSL
- Overall 12 bit resolution, 1.1MHz signal bandwidth
- 8.8 MS/s ADC
- 8.8 MS/s DAC
- Differential analog I/O
- Accurate continuous-time channel filtering
- 5<sup>th</sup> & 4<sup>th</sup> order tunable continuous-time receive and transmit filters respectively
- Support for multiple ADSL standards:
  - ANSI T1.413 Issue 2
  - ITU G.992.1 (G.dmt)
    - Annex A
    - Annex B (ADSL over ISDN)
    - Annex C (ADSL over ISDN SBM/DBM/G.dmt)
  - ITU G.992.2 (G.lite)
- Highest performance:
  - Operation up to 18 kft (26 AWG)
  - More than 8 Mbps downstream and 832 Kbps upstream up to 8 kft (26 AWG)
  - More than 3 Mbps downstream and 760 kbps upstream up to 12 kft (26 AWG)
- 100 pin TQFP package allows high-density board design
- Power dissipation of 900mW at 25°C, typical
- TQFP100 package

### Applications

The MTC20174 is an ADSL Analog Front-End (AFE) with integrated Line-Driver for ATU-R applications offering Annex A, B and C.



### Description

The MTC20174 Analog Front End (AFE) with integrated line driver is designed for DMT based ADSL CPE modems compliant with ANSI T1.413 issue 2, ITU G.992.1 (G.dmt) and ITU G.992.2 (G.lite), for Annex A, B and C.

It is intended to be used with the MTC20166 DMT modem and ATM framer as part of the MTK20170 chipset, but may also be used to support other ADSL signal processors. It includes the following parts:

- A 12-bit 8.8Msamples/s DAC
- A 13-bit 8.8Msamples/s ADC
- Tunable low-pass and high-pass filters
- Low-noise PGAs
- A TX Pre-Amplifier
- A TX Line-Driver
- A fully integrated DCXO
- A PLL-based frequency doubler
- A filter tuning circuit
- A dying gasp circuit
- A digital module for control, test and interface

The following figure provides a graphical representation of the MTC20174 functional blocks with an additional separation in RX and TX path.

The analog and digital part have separated 3.3V power supplies. In addition some part of the analog section of the MTC20174 has a power supply of 5V.

The typical total power consumption of the MTC20174 is 900mW for 12dBm of line power (full operation) at 25°C.

## Ordering information

**Table 1. Order codes**

Part Number	Package	Temperature	Packing
E-MTC20174 <sup>(1)</sup>	TQFP100	0 to 70°C	Tray
MTC20174-TQ-C1TR	TQFP100	0 to 70°C	Tape and reel

1. Ecopack

Obsolete Product(s) - Obsolete Product(s)

## Revision history

**Table 2. Document revision history**

Date	Revision	Changes
15-Sep-2004	1	Initial release.
27-Mar-2007	2	Updated the ordering information of ST70138 and MTC20174. Updated the description and block diagram of Unicorn II (cover page).

Obsolete Product(s) - Obsolete Product(s)



**Please Read Carefully:**

Information in this document is provided solely in connection with ST products. STMicroelectronics NV and its subsidiaries ("ST") reserve the right to make changes, corrections, modifications or improvements, to this document, and the products and services described herein at any time, without notice.

All ST products are sold pursuant to ST's terms and conditions of sale.

Purchasers are solely responsible for the choice, selection and use of the ST products and services described herein, and ST assumes no liability whatsoever relating to the choice, selection or use of the ST products and services described herein.

No license, express or implied, by estoppel or otherwise, to any intellectual property rights is granted under this document. If any part of this document refers to any third party products or services it shall not be deemed a license grant by ST for the use of such third party products or services, or any intellectual property contained therein or considered as a warranty covering the use in any manner whatsoever of such third party products or services or any intellectual property contained therein.

**UNLESS OTHERWISE SET FORTH IN ST'S TERMS AND CONDITIONS OF SALE ST DISCLAIMS ANY EXPRESS OR IMPLIED WARRANTY WITH RESPECT TO THE USE AND/OR SALE OF ST PRODUCTS INCLUDING WITHOUT LIMITATION IMPLIED WARRANTIES OF MERCHANTABILITY, FITNESS FOR A PARTICULAR PURPOSE (AND THEIR EQUIVALENTS UNDER THE LAWS OF ANY JURISDICTION), OR INFRINGEMENT OF ANY PATENT, COPYRIGHT OR OTHER INTELLECTUAL PROPERTY RIGHT.**

**UNLESS EXPRESSLY APPROVED IN WRITING BY AN AUTHORIZED ST REPRESENTATIVE, ST PRODUCTS ARE NOT RECOMMENDED, AUTHORIZED OR WARRANTED FOR USE IN MILITARY, AIR CRAFT, SPACE, LIFE SAVING, OR LIFE SUSTAINING APPLICATIONS, NOR IN PRODUCTS OR SYSTEMS WHERE FAILURE OR MALFUNCTION MAY RESULT IN PERSONAL INJURY, DEATH, OR SEVERE PROPERTY OR ENVIRONMENTAL DAMAGE. ST PRODUCTS WHICH ARE NOT SPECIFIED AS "AUTOMOTIVE GRADE" MAY ONLY BE USED IN AUTOMOTIVE APPLICATIONS AT USER'S OWN RISK.**

Resale of ST products with provisions different from the statements and/or technical features set forth in this document shall immediately void any warranty granted by ST for the ST product or service described herein and shall not create or extend in any manner whatsoever, any liability of ST.

ST and the ST logo are trademarks or registered trademarks of ST in various countries.

Information in this document supersedes and replaces all information previously supplied.

The ST logo is a registered trademark of STMicroelectronics. All other names are the property of their respective owners.

© 2007 STMicroelectronics - All rights reserved

STMicroelectronics group of companies

Australia - Belgium - Brazil - Canada - China - Czech Republic - Finland - France - Germany - Hong Kong - India - Israel - Italy - Japan - Malaysia - Malta - Morocco - Singapore - Spain - Sweden - Switzerland - United Kingdom - United States of America

[www.st.com](http://www.st.com)