

## SUMMARY



Image is for illustrative purpose only

### # Wires

Low	3
High	0
Coax	0
Triax	0
Quad	0
Fiber	0
Fluidic	0

### Download

[Request a quote](#)

[Catalog](#)

Series	C
Termination type	Female crimp
IP rating	50
Cable Ø	0.00 - 0.00 mm
Matching parts	CAB.M03.GYC.C92G
Status	
Alternative part	

## TECHNICAL DETAILS

### Mechanics

Shell Style/Model	CK*: Fixed receptacle with two nuts (back panel mounting)
Keying	2 keys (gamma=60; Plug: male contacts; Receptacle: female contacts)
Housing Material	PSU (Polysulfone), gray
Cable Fixing	∅ 0 - 0 mm
Variant	

### Performance

Configuration	CKB.M03 : 3 Low V.
Insulator	
Rated Current	17 Amps

### Specifications

Test voltage (kV rms) Contact-contact: 2.4  
Air clearance min. (mm) or Creepage distance min. (mm): 1.5

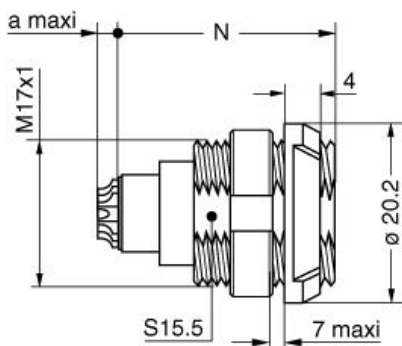
### Others

F ret (min): 150 N

F ret (max): 250 N  
Steam sterilization: 20 times  
IP Rating: 50

## DRAWINGS

### Draws



### Dimensions

	A	L	N	e
mm.	20.2	28.7	23.8	M17x1
in.	0,80	1,13	0,94	

## RECOMMENDED BY LEMO

### Tools

Crimp Tool: DPC.91.101.A  
Crimp settings: AWG/Selector = 14-16-18/7-6-5  
Positionner: DCE.91.162.BVCM  
Extractor: DCF.91.162.2LT  
Replacement contact: EGG.2B.670.ZZM

### Cables