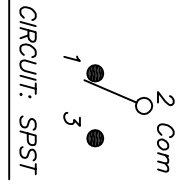


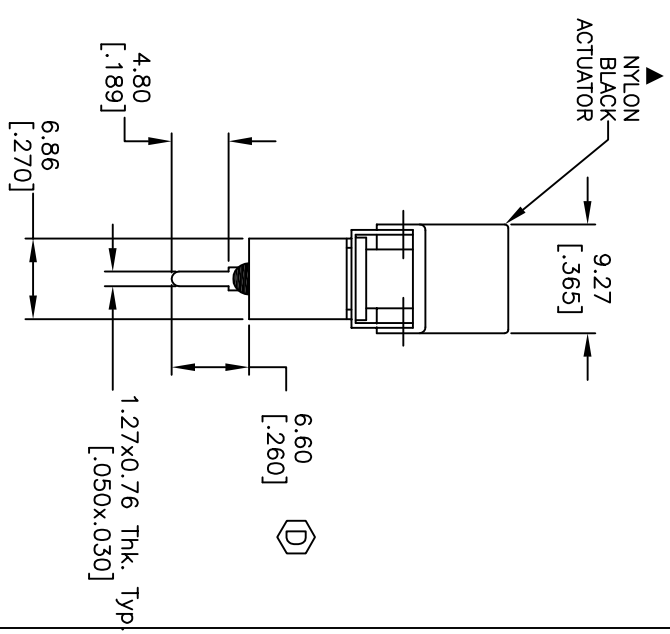
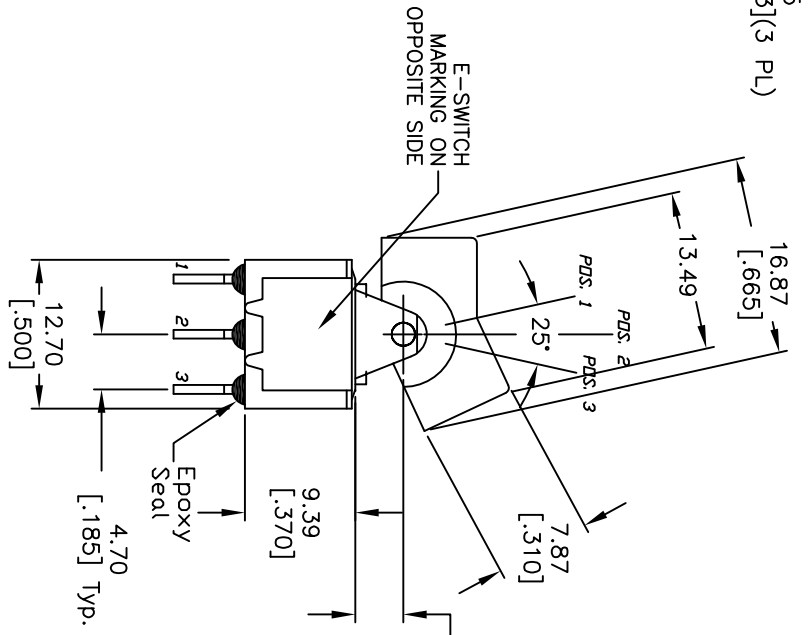
RECOMMENDED PCB LAYOUT
NOT TO SCALE



SWITCH FUNCTION		
PDS: 1	PDS: 2	PDS: 3
<DN>	NONE	<DN>
2-3	OPEN	2-1

()=Momentary

- NOTES:
1. ALL DIMENSIONS IN MM [INCH]
 2. GENERAL TOLERANCE: X.X=±0.4
X.XX=±0.25
 3. TERM. NOS. FOR REF. ONLY
 4. RATING: 5A @120VAC or 28VDC
2A @250VAC
 5. MATERIAL: FIXED TERMINAL & MOVING CONTACT
Copper Alloy w/Silver plate
 6. CONTACT RESISTANCE: 10mILLI Ohms max initial
@2-4VDC, 100mA for AG & AU
 7. ELECTRICAL LIFE: 50,000 make-and-break
cycles at full load.
 8. INSULATION RESISTANCE: 1,000M ohm min.
 9. DIELECTRIC STRENGTH: 1000V RMS @sea level
 10. OPERATING TEMP.: -30°C to 85°C
 11. 2002/95/EC (ROHS) COMPLIANT



REV.	ECN No.	DESCRIPTION	DATE	CHKD
D	18604	REVISE TERMINAL LENGTH DIMENSION	3/27/06	PH
C	15900	EDIT MOUNTING DIMENSIONS	3/27/06	PH
B	15881	EDIT SWITCH FUNCTION	3/21/06	PH

TITLE		SCALE	DATE	DR	DWG	REV
300SP4 J1BLKM2QE		1.5:1	7/30/09	BLR	T314010	D



THE INFORMATION CONTAINED IN THIS DOCUMENT IS PROPRIETARY TO E-SWITCH AND IS NOT TO BE COPIED OR TRANSFERRED