

THIS DRAWING IS UNPUBLISHED. RELEASED FOR PUBLICATION  
 © COPYRIGHT - By - ALL RIGHTS RESERVED.

LOC		DIST		REVISIONS			
P	LTR	DESCRIPTION		DATE	DWN	APVD	
E		REVISED PER ECO-12-007504		03AUG12	KH	SM	

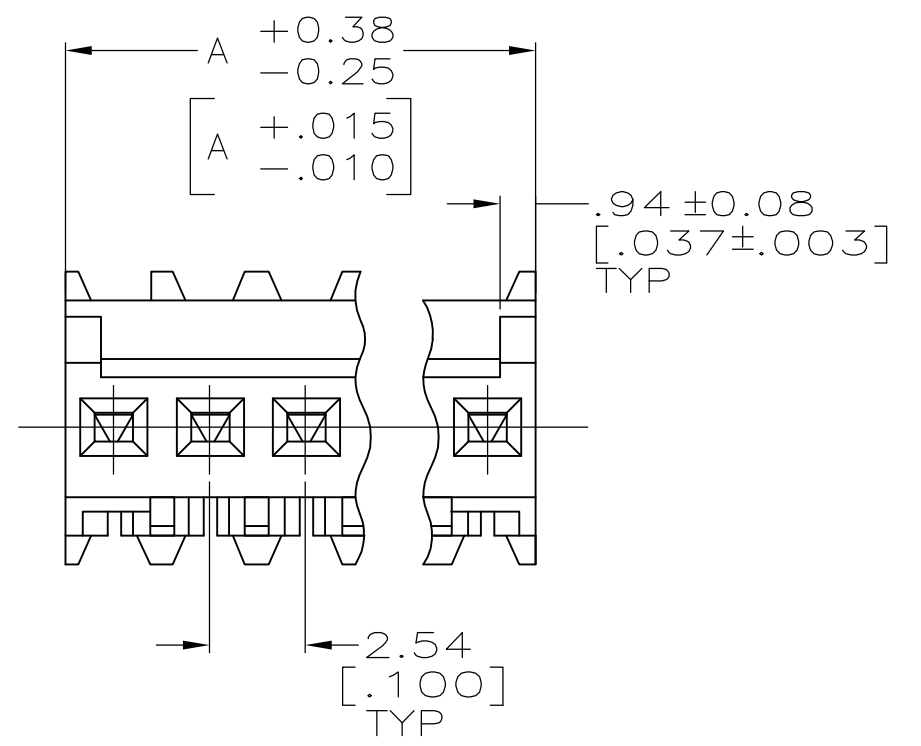
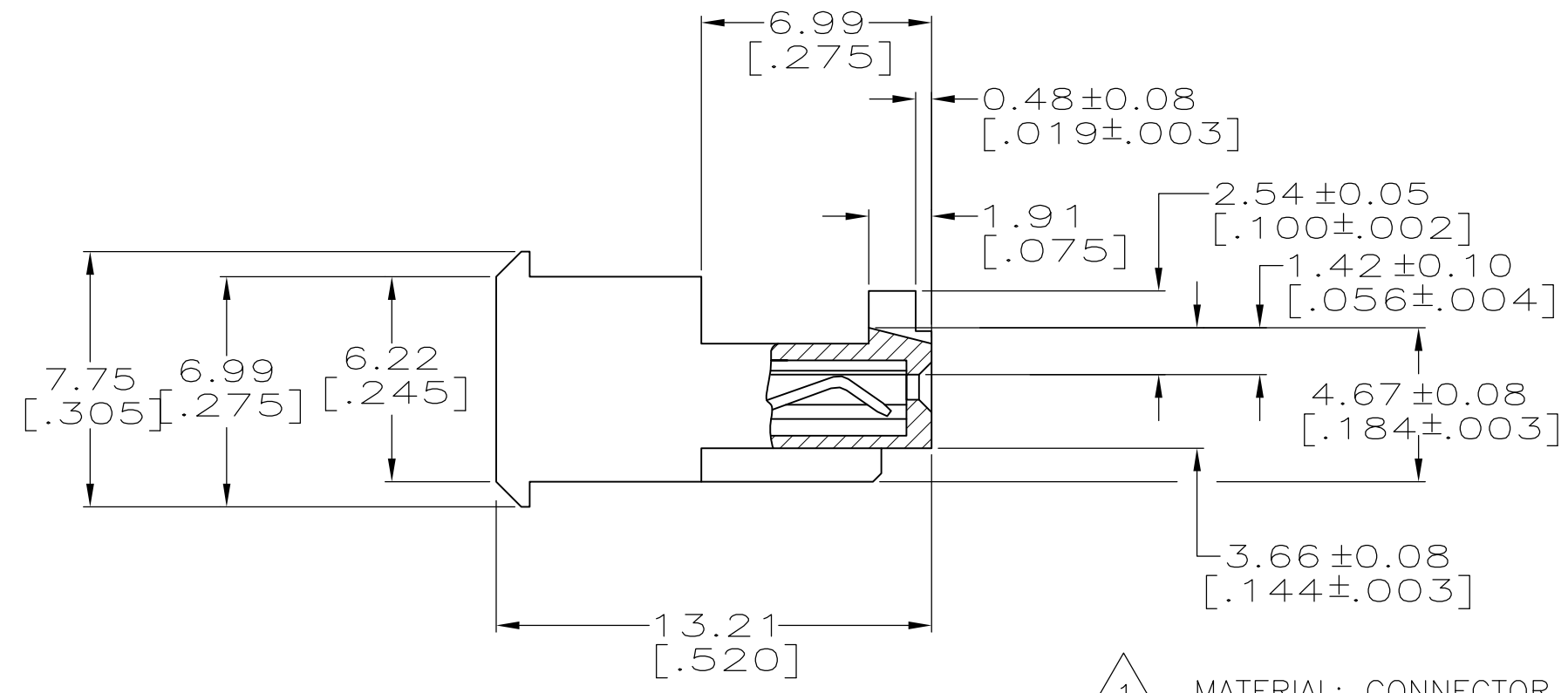
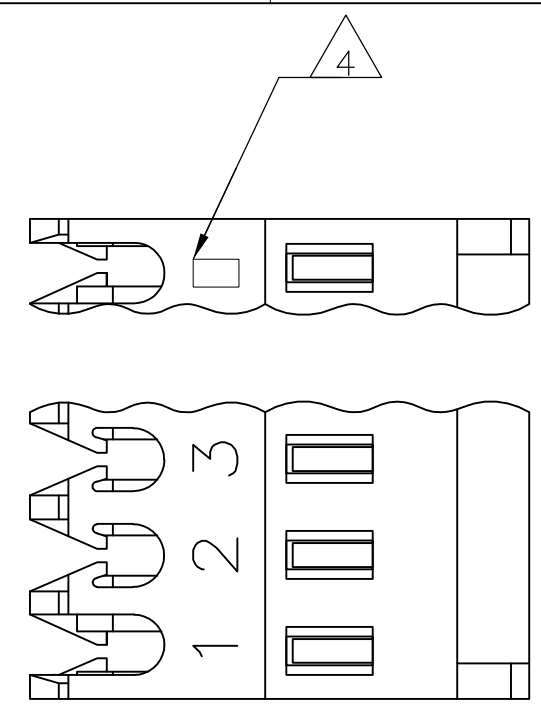
60.96[2.400]	24	5-644564-4
55.88[2.200]	22	5-644564-2
53.34[2.100]	21	5-644564-1
50.80[2.000]	20	5-644564-0
48.26[1.900]	19	4-644564-9
45.72[1.800]	18	4-644564-8
43.18[1.700]	17	4-644564-7
40.64[1.600]	16	4-644564-6
38.10[1.500]	15	4-644564-5
35.56[1.400]	14	4-644564-4
33.02[1.300]	13	4-644564-3
30.48[1.200]	12	4-644564-2
27.94[1.100]	11	4-644564-1
25.40[1.000]	10	4-644564-0
22.86[.900]	9	3-644564-9
20.32[.800]	8	3-644564-8
17.78[.700]	7	3-644564-7
15.24[.600]	6	3-644564-6
12.70[.500]	5	3-644564-5
10.16[.400]	4	3-644564-4
7.62[.300]	3	3-644564-3
5.08[.200]	2	3-644564-2

60.96[2.400]	24	2-644564-4	SUPERSEDED
55.88[2.200]	22	2-644564-2	SUPERSEDED
38.10[1.500]	15	1-644564-5	
35.56[1.400]	14	1-644564-4	
33.02[1.300]	13	1-644564-3	
30.48[1.200]	12	1-644564-2	
27.94[1.100]	11	1-644564-1	OBSOLETE
25.40[1.000]	10	1-644564-0	
22.86[.900]	9	1-644564-9	
20.32[.800]	8	1-644564-8	
17.78[.700]	7	1-644564-7	
15.24[.600]	6	1-644564-6	
12.70[.500]	5	1-644564-5	
10.16[.400]	4	1-644564-4	
7.62[.300]	3	1-644564-3	
5.08[.200]	2	1-644564-2	

**7** SUPERSEDED

**7** SUPERSEDED

**7** SUPERSEDED



- 1** MATERIAL: CONNECTOR - NYLON UL94V-2.  
CONTACTS - 0.30[.012] THICK COPPER ALLOY BRIGHT TIN-LEAD .00203[.000080] MIN THICKNESS FOR 644564-2 THRU 2-644564-8.  
MATTE WHISKER MITIGATED TIN .00203[.000080] MIN THICKNESS OVER NICKEL UNDERPLATE FOR 3-644564-2 THRU 5-644564-4.
- 2** CONTACTS ACCEPT 26 AWG WIRE WITH 1.52[.060] MAX INSULATION DIAMETER.
- 3** CONTACTS MUST ACCEPT 0.64±0.03[.025±.001] SQUARE POST AND REMAIN LOCKED IN POSITION.
- 4** IDENTIFICATION NUMBER FOR LAST CIRCUIT MAY NOT APPEAR ON ALL ASSEMBLIES.
- 5** DIMENSIONS IN BRACKETS ARE IN INCHES.
- 6** HOUSING FEATURES ARE: FEED THRU WITH LOCKING RAMP AND WITH POLARIZING TAB.
- 7** OBSOLETE PARTS: OBSOLETE CIS STREAMLINING PER D.RENAUD/D.SINISI
- 8** BLUE COLOR STRIPE ON HOUSING (NOT SHOWN) MAY RUN DOWN BETWEEN RIBS.

THIS DRAWING IS A CONTROLLED DOCUMENT.		DWN S. CARPENTER 12JUN2003	<b>STE</b> TE Connectivity	
DIMENSIONS: INCHES		CHK D. BOSSI 12JUN2003		
TOLERANCES UNLESS OTHERWISE SPECIFIED:		APVD D. BOSSI 12JUN2003	NAME	
0 PLC ±		PRODUCT SPEC	MTA-100 CONNECTOR ASSEMBLY, 26 AWG, STANDARD	
1 PLC ±		APPLICATION SPEC	SIZE	CAGE CODE
2 PLC ±		108-1050	114-1019	DRAWING NO
3 PLC ± 0.13 [.005]		114-1019	WEIGHT	RESTRICTED TO
4 PLC ±		WEIGHT	A2 00779	644564
ANGLES ±		CUSTOMER DRAWING	SCALE	SHEET
FINISH <b>1</b>		SCALE 5:1	1 of 1	REV E