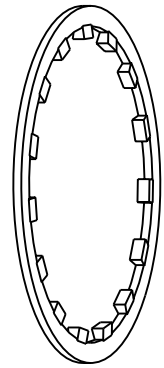


NOTES:

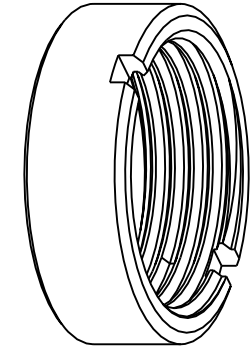
1. MATERIALS AND FINISHES:
 LOCK WASHER = PHOSPHOR BRONZE, NICKEL PLATING
 SPANNER NUT = BRASS (ASTM-B16 H02, 36000), NICKEL PLATING

2. PACKAGING:
 A. QUANTITY: 2 LOCKWASHERS & 2 SPANNER NUTS PER BAG
 B. MARKING: BAG TO BE MARKED
 "AMPHENOL, 31-6108, AND DATE CODE"

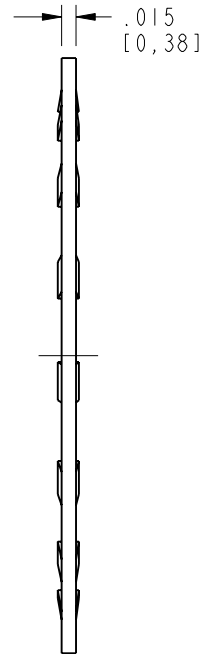
31-6108		REVISIONS			
DRAWING NO.	REV	DESCRIPTION	DATE	ECO	APPR
THIRD ANGLE PROJ.	A	RELEASE TO MFG.	6/11/03	44503	CPM



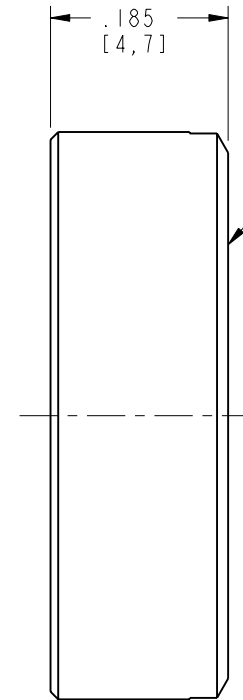
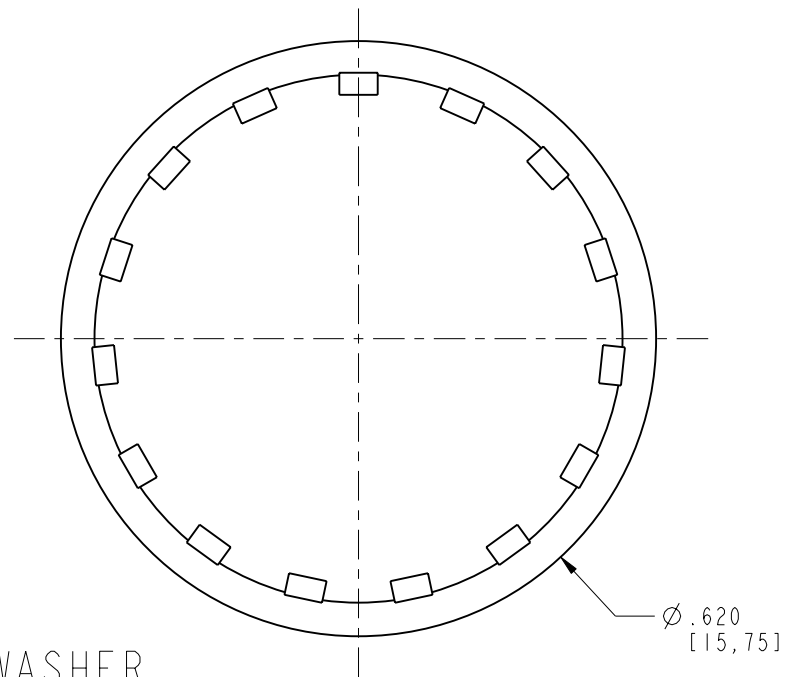
SCALE 3.000



SCALE 3.000

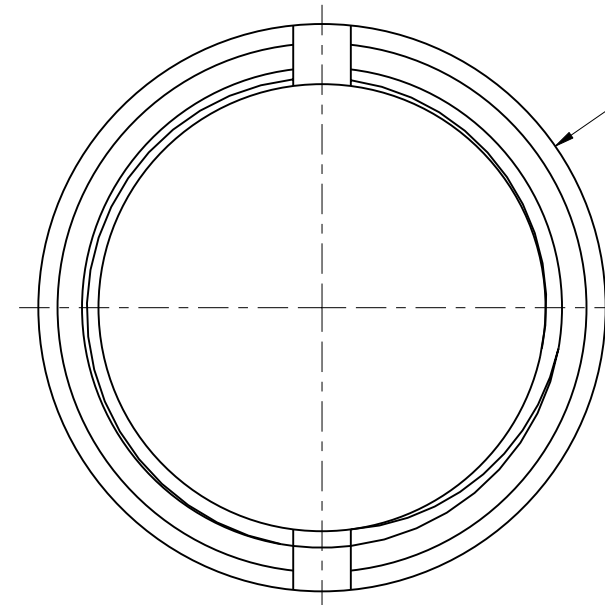


LOCK WASHER



SPANNER NUT

1/2-28 UNEF-2B THREAD



CUSTOMER OUTLINE DRAWING
 ALL OTHER SHEETS ARE FOR INTERNAL USE ONLY

UNLESS OTHERWISE SPECIFIED, DIMENSIONS ARE IN INCHES AND TOLERANCES ARE: 2 PLACE DECIMAL ±.015 (0,381 mm) 3 PLACE DECIMAL ±.005 (0,127 mm) ANGLES ± 1°	MATERIAL	DRAWN C. McGRATH	DATE 5/30/03	TITLE LOCKWASHER AND SPANNER NUT	Amphenol Amphenol Corporation Communication and Network Products Division Danbury, CT U.S.A. 06810			
	REFERENCE GEN# LOCKWASHER	ENGINEER OWEN BARTHELMES	DATE 5/30/03					
NOTICE - These drawings, specifications, or other data (1) are, and remain the property of Amphenol Corp. (2) must be returned upon request; and (3) are confidential and not to be disclosed to any person other than those to whom they are given by Amphenol Corp. The furnishing of these drawings, specifications, or other data by Amphenol Corp., or to any other person to anyone for any purpose is not to be regarded by implication or otherwise in any manner licensing, granting rights or permitting such holder or any other person to manufacture, use or sell any product, process or design, patented or otherwise, that may in any way be related to or disclosed by said drawings, specifications, or other data.		APPROVED OWEN BARTHELMES	DATE 6/11/03	CODE ID 74868	DWG SIZE B	DRAWING NO. 31-6108	SCALE: 5.0:1	SHEET 2 OF 2
		CAD FILE I:\HARD31-6108						