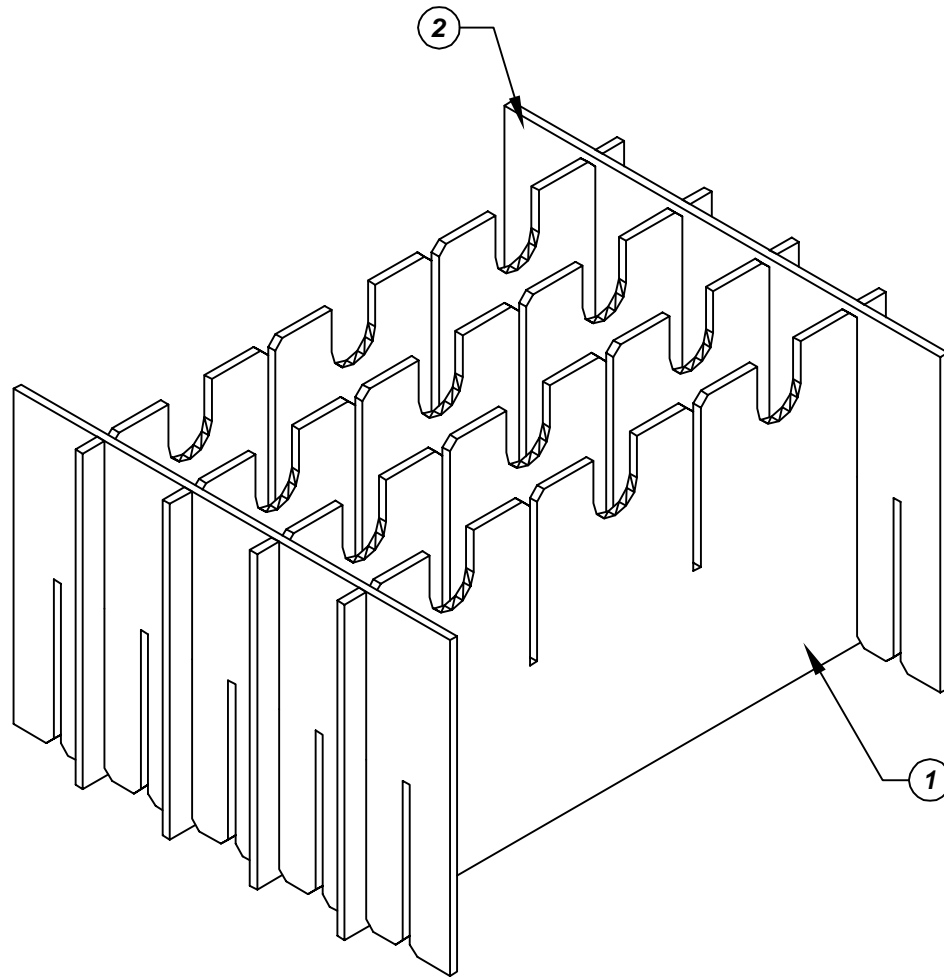
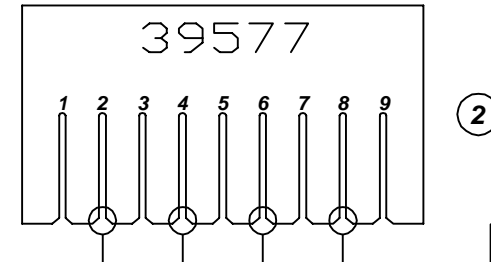


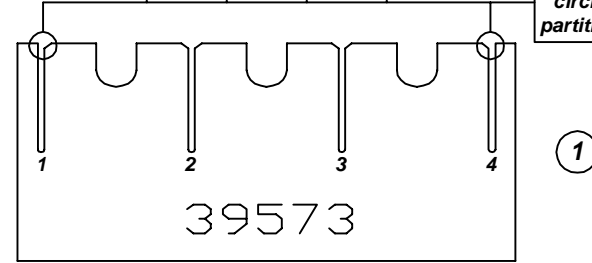
# Assembly Instructions for - 37337



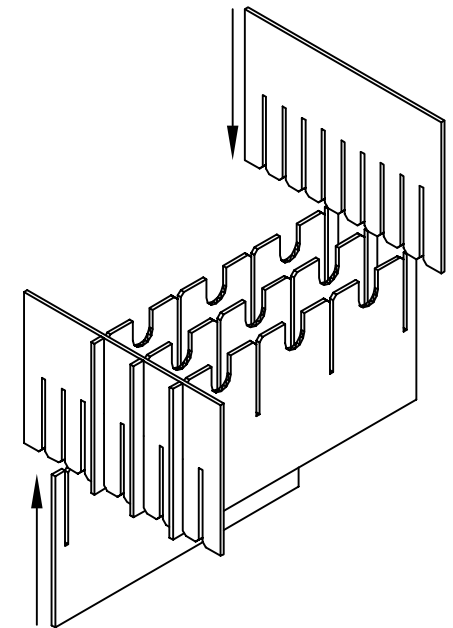
Folded Short Partition



Use only the circled slots for partition assembly



Folded Long Partition



Made in America

F/N ①	Part # 39573	Dimensions: 20-1/4" x 18-5/8"	Description: 460-LP-10/30 Long Partition	Qty: 4
F/N ②	Part # 39577	Dimensions: 20-1/4" x 15"	Description: 460-SP-10 Short Partition	Qty: 2

## 37337 - 5 Cell Inplant Handler Cell Size - 10" x 16-5/8" x 2-3/4"

Notes:  
For use with the following storage container & lid:  
37524 - Storage Container  
37554 - Lid

PROTEKTIVE PAK  
13520 MONTE VISTA AVENUE, CHINO, CA 91710  
PHONE (909) 627-2578, FAX (909) 363-7331  
ProtektivePak.com



DRAWING NUMBER  
**IPH-37337**

DATE  
Dec.  
2007