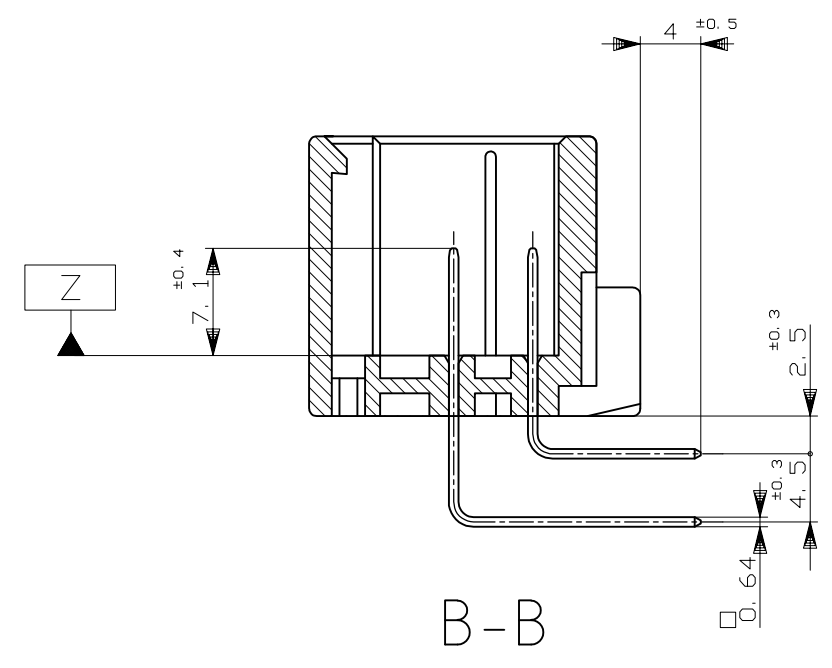
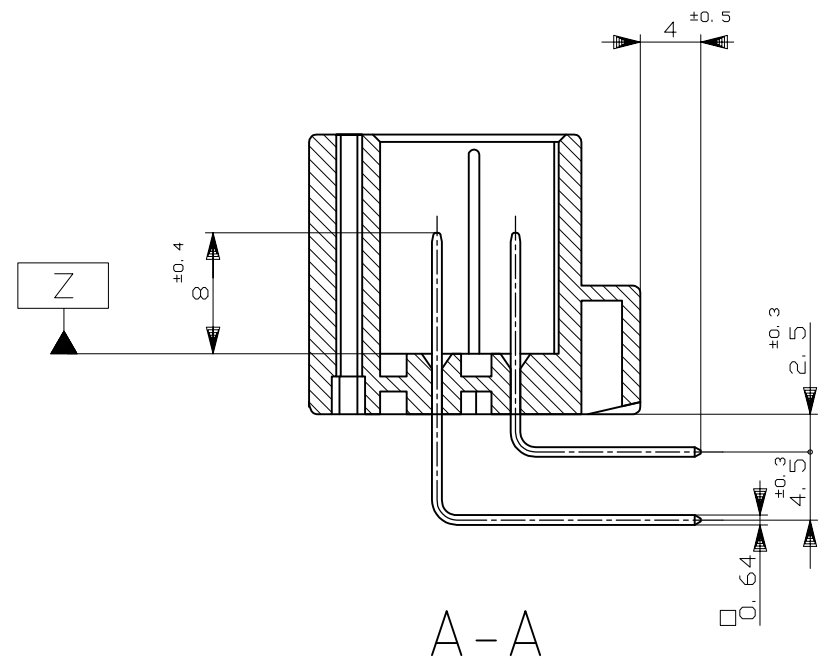
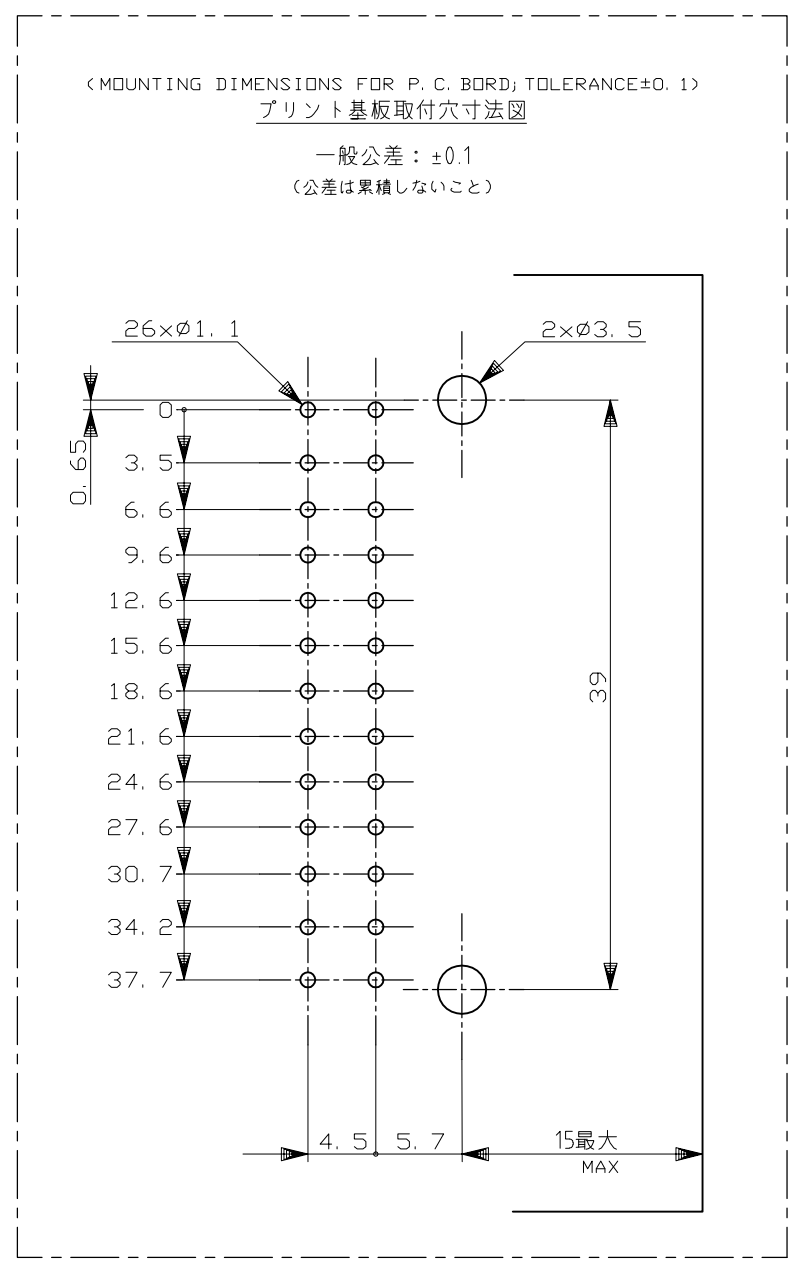
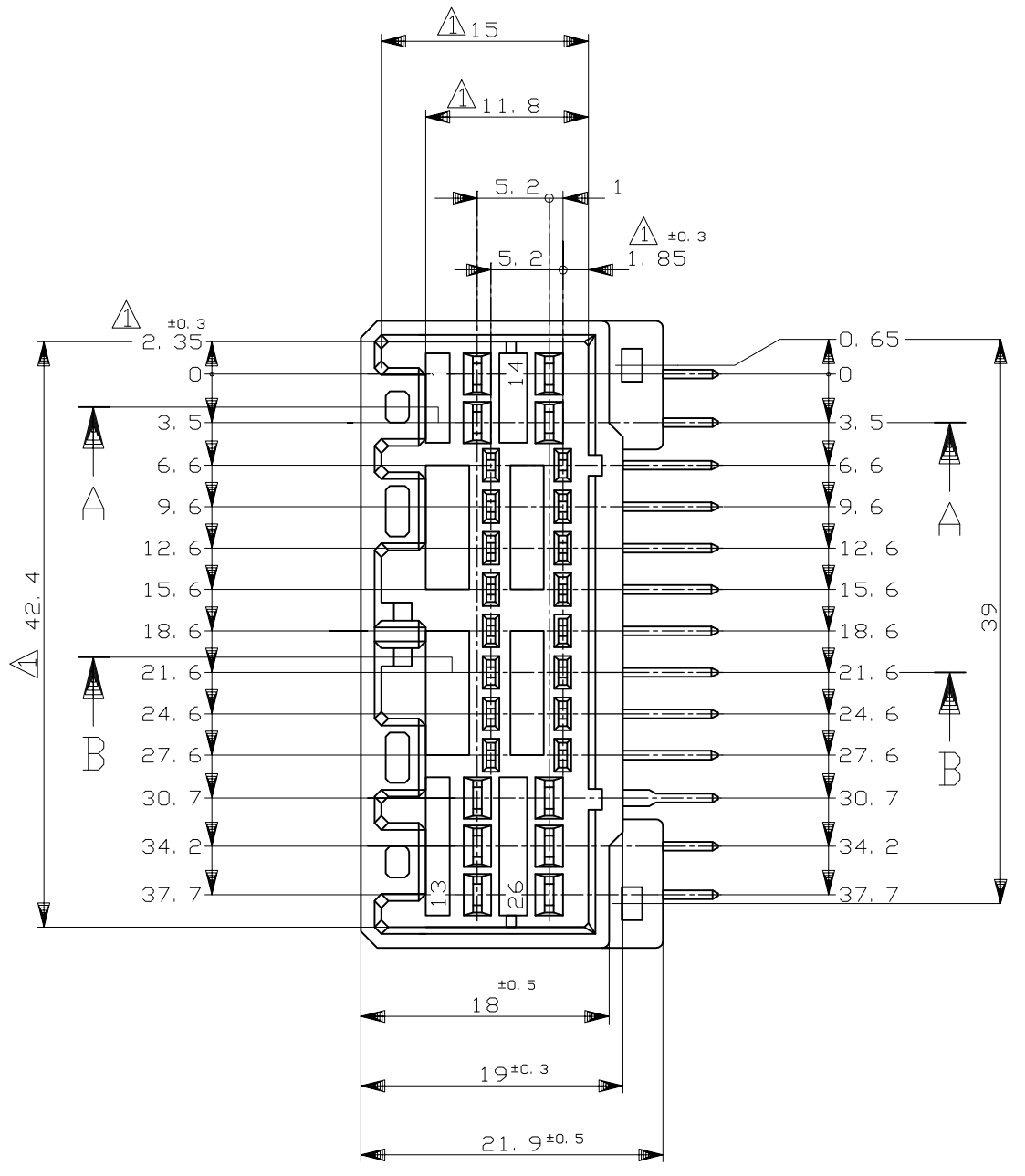
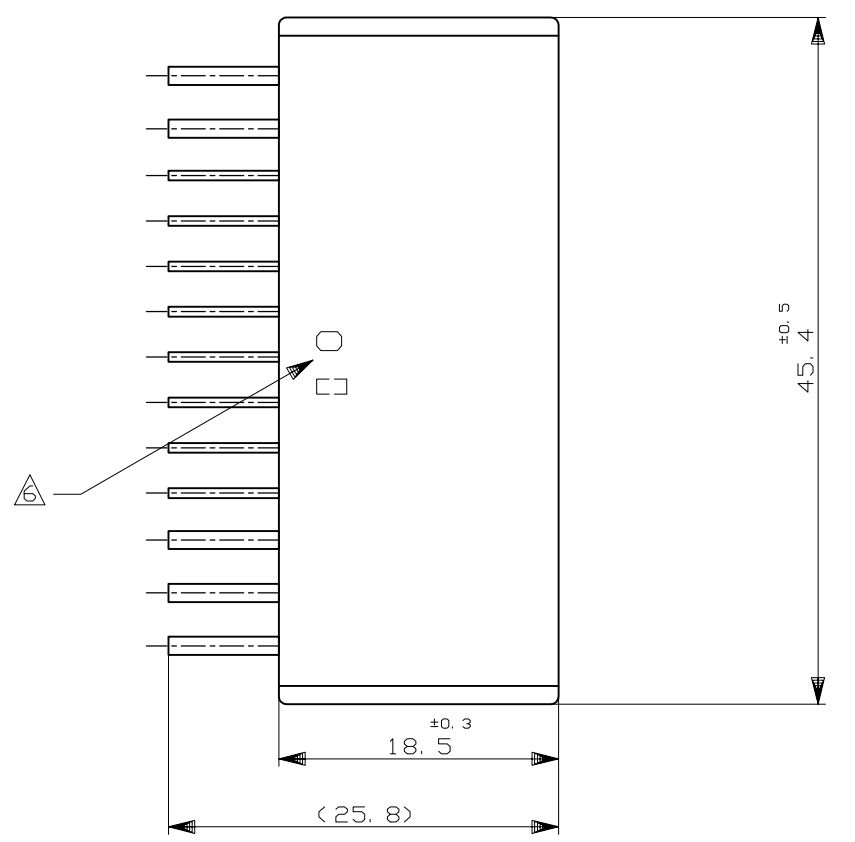
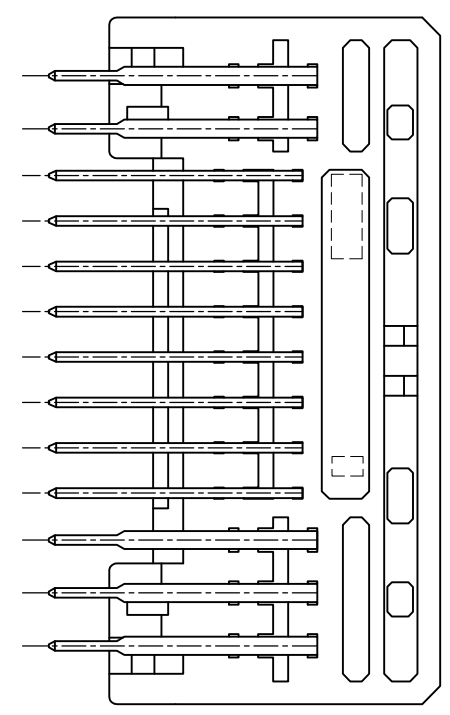
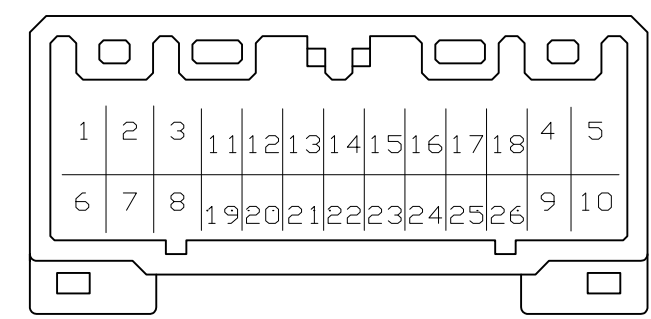


REVISIONS					
P	LTR	DESCRIPTION	DATE	DWN	APVD
E6	REVISED	変更 ECR-16-003344	25OCT2016	KF	HY



- ① Z 面から2mmの範囲で測定
- 2. 嵌合相手ハウジング型: 175567, 917994
- 3. 推奨取付ねじ: JIS B1115, B1122 タッピンねじ, なべ2種
呼び径3, 長さ6mm以下 (締付けトルク: 0.4N-m (4kg-cm) 以下)
- 4. 適用製品規格番号: 108-5280, 108-5342
- ⑤ 回路番号:

パワー回路 ① ~ ⑩
 シグナル回路 ⑪ ~ ⑳



- ⑥ 適用製品型番のアプリフィックス及びIDマークを
カラーホットマークにて表示

- ① MUST BE KEPT BETWEEN Z AND 2
- 2. THE MATING PLUG HSG.PART NUMBER; 175567, 917994
- 3. RECOMMENDED MOUNTING SCREW; 3mm DIA, 6mm LENGTH (MAX.)
PAN HEAD, CLASS 2 TAPPING SCREW SPECIFIED IN JIS B1115, B1122
(TIGHTENING TORQUE; 0.4N-m (4kg-cm) MAX.)
- 4. APPLICABLE PRODUCT SPEC NO; 108-5280, 108-5342

- ⑤ CIRCUIT NUMBER
POWER CIRCUIT NO. ① ~ ⑩
SIGNAL CIRCUIT NO. ⑪ ~ ⑳

- ⑥ INDICATED PREFIX AND ID MARK OF PRODUCT P/N BY COLOR HOT MARK

TOLERANCES UNLESS OTHERWISE SPECIFIED.	一般公差
10±	±0.2
30±	±0.25
100±	±0.3
ANGLE	±0.3°

MARKING	SOLDERING SIDE 半田付け面	CONTACT FINISH 接触部仕上げ	CONTACT SIDE 接触部側	POWER CIRCUIT NO. パワー回路	SIGNAL CIRCUIT NO. シグナル回路	COLOR 色	PART NUMBER 製品型番
53	SELECTIVE-TIN (MATTE)	SELECTIVE GOLD × 2	-	25, 26	NATURAL 自然色	3-5178762-1	
55	SELECTIVE-TIN (MATTE)	PRE-TIN × 24 SELECTIVE GOLD × 4 SELECTIVE-TIN (BRIGHT) × 22	-	13, 14, 19, 22	NATURAL 自然色	5-5178762-1	
54	SELECTIVE-TIN (MATTE)	SELECTIVE GOLD × 2 SELECTIVE-TIN (BRIGHT) × 24	-	14, 22	BLACK 黒色	4-5178762-2	
52	SELECTIVE-TIN (MATTE)	SELECTIVE GOLD × 11 SELECTIVE-TIN (BRIGHT) × 15	3, 8	12~17, 19~21	GRAY 灰色	2-5178762-6	
3	TIN-LEAD	SELECTIVE GOLD × 2	-	25, 26	NATURAL 自然色	3-178762-1	
2	TIN-LEAD	PRE-TIN × 24 SELECTIVE GOLD × 11	3, 8	12~17, 19~21	GRAY 灰色	2-178762-6	
2	TIN-LEAD	PRE-TIN × 15 SELECTIVE GOLD × 11	3, 8	12~17, 19~21	NATURAL 自然色	2-178762-1	
0		PRE-TIN × 26	-	-	GRAY 灰色	178762-6	
0		PRE-TIN × 26	-	-	BLUE 青色	178762-5	
0		PRE-TIN × 26	-	-	BLACK 黒色	178762-2	
0		PRE-TIN × 26	-	-	NATURAL 自然色	178762-1	

THIS DRAWING IS A CONTROLLED DOCUMENT.

DWN	T.SHINOHARA	12FEB08
CHK	K.BETSUI	12FEB08
APVD	K.BETSUI	12FEB08

TE Connectivity

26POSITION CAP HOUSING ASSEMBLY
040/070 SERIES HYBRID I/O CONNECTOR

SIZE	CAGE CODE	DRAWING NO	RESTRICTED TO
A2	00779	C=178762	-

WEIGHT 12.6 g

CUSTOMER DRAWING

SCALE 2:1 SHEET 1 OF 1 REV E6