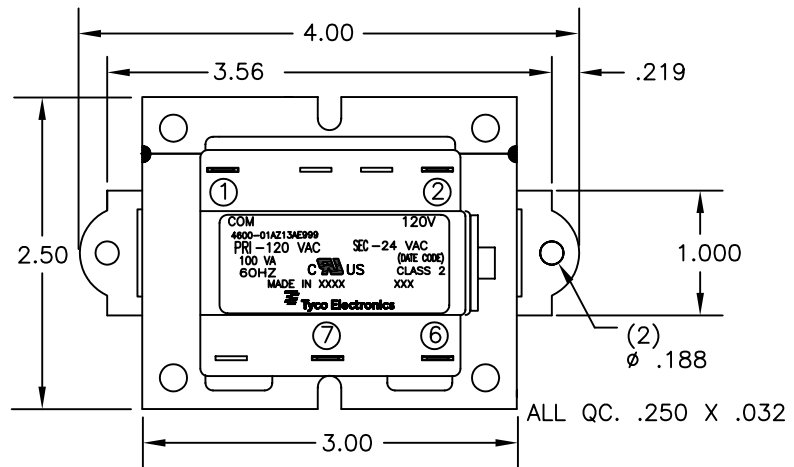


4 3 2 1

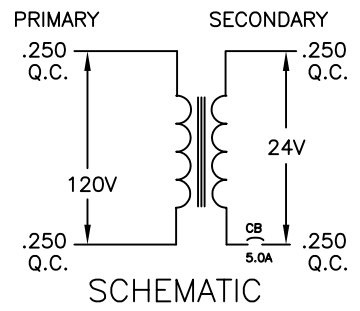
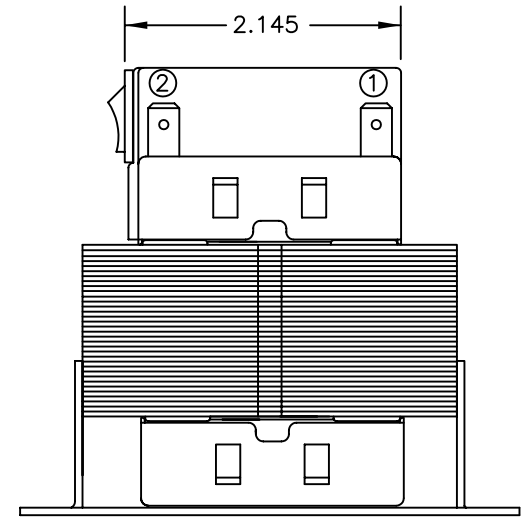
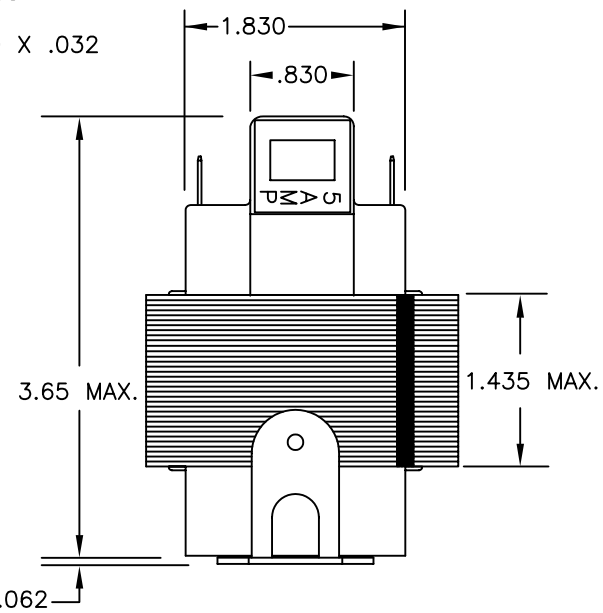
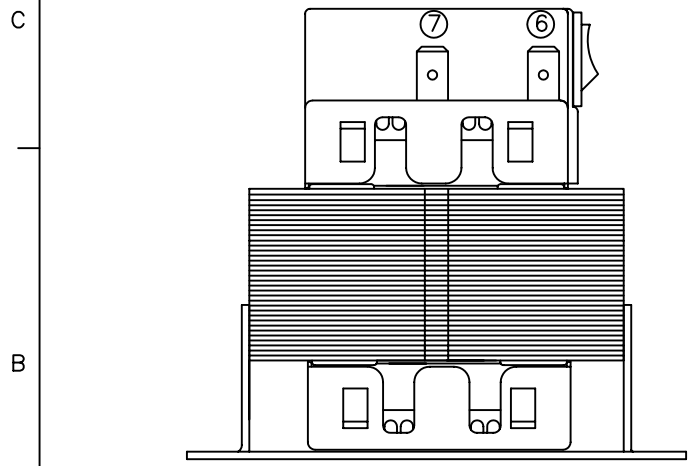
THIS DRAWING IS UNPUBLISHED. RELEASED FOR PUBLICATION

© COPYRIGHT BY TYCO ELECTRONICS CORPORATION. ALL INTERNATIONAL RIGHTS RESERVED.

LOC	DIST	REVISIONS					
GZ	00	P	LTR	DESCRIPTION	DATE	DWN	APVD
		A		NPR-PU09-003	07JAN09	KH	HT



PRIMARY TERMINATION CODE					NOTES				CERTIFICATION: UL/CUL FILE NO. E87824					
TERM NO.	1	2	3	4	5	1. DIMENSIONS FOR REFERENCE ONLY.				SECONDARY TERMINATION CODE				
VOLTAGE	COM	120				2. WINDING PROTECTION- 5.0 AMP CIRCUIT BREAKER IN SECONDARY NON-INHERENTLY LIMITED				TERM NO.	6	7	8	9
TERMINAL WIDTH	.250	.250								VOLTAGE	24	VAC		
TERMINAL THICKNESS	.032	.032								TERMINAL WIDTH	.250	.250		
										TERMINAL THICKNESS	.032	.032		



TYCO ELECTRONICS PART NUMBER  
1672433-1

THIS DRAWING IS A CONTROLLED DOCUMENT.		DWN	K.H.	07JAN09	 Tyco Electronics Corporation Harrisburg, PA 17105-3608
DIMENSIONS: INCHES		CHK	DH	07JAN09	
		APVD	HT	07JAN09	
TOLERANCES UNLESS OTHERWISE SPECIFIED:		PRODUCT SPEC			NAME
0 PLC ± -		APPLICATION SPEC			
1 PLC ± -		WEIGHT			SIZE
2 PLC ± .01		CUSTOMER DRAWING			A3
3 PLC ± .005		SCALE			1:1
4 PLC ± -		SHEET			1 OF 1
ANGLES ± -		REV			A
MATERIAL		DRAWING NO			RESTRICTED TO
FINISH		A300779			©=4600-01AZ13AE999