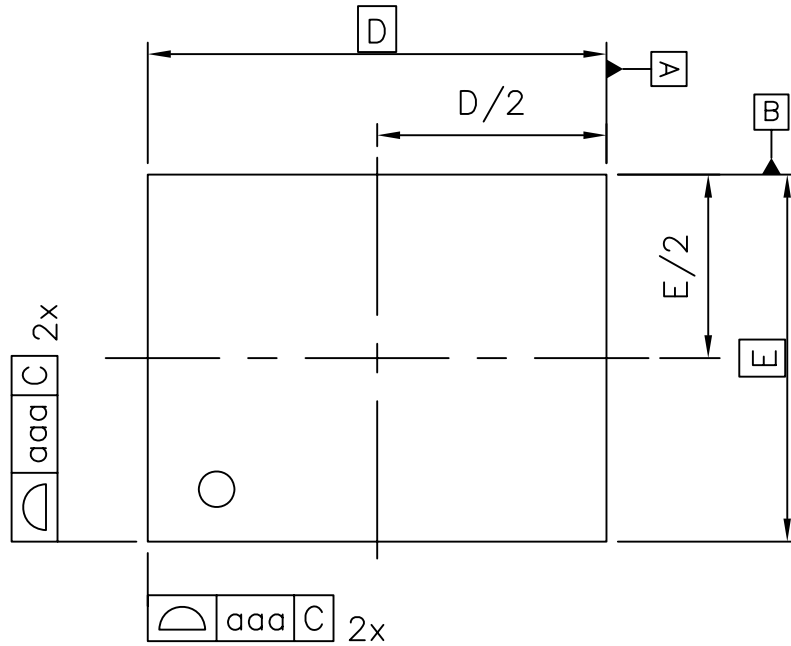
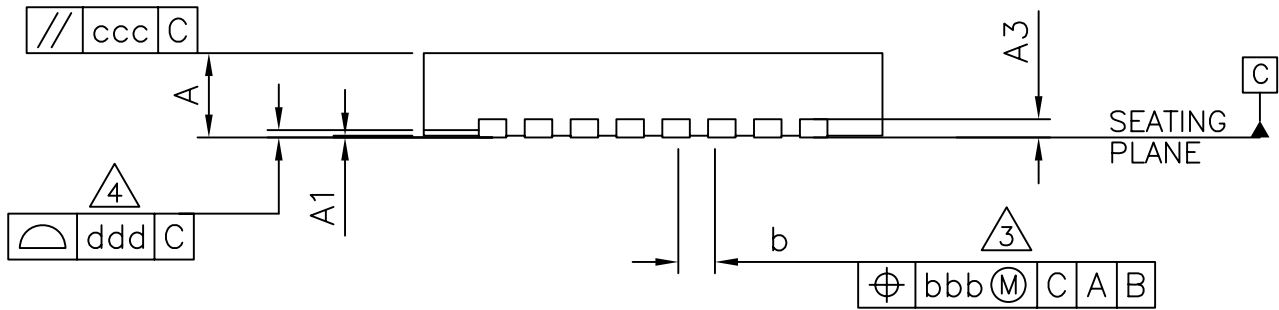




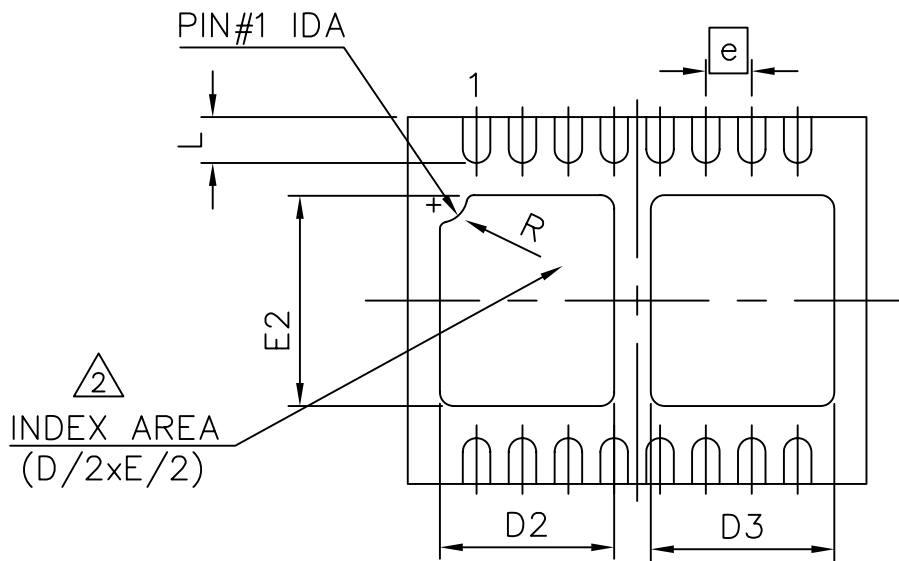
DFN5x4_16L_EP2_S PACKAGE OUTLINE



5 TOP VIEW



SIDE VIEW

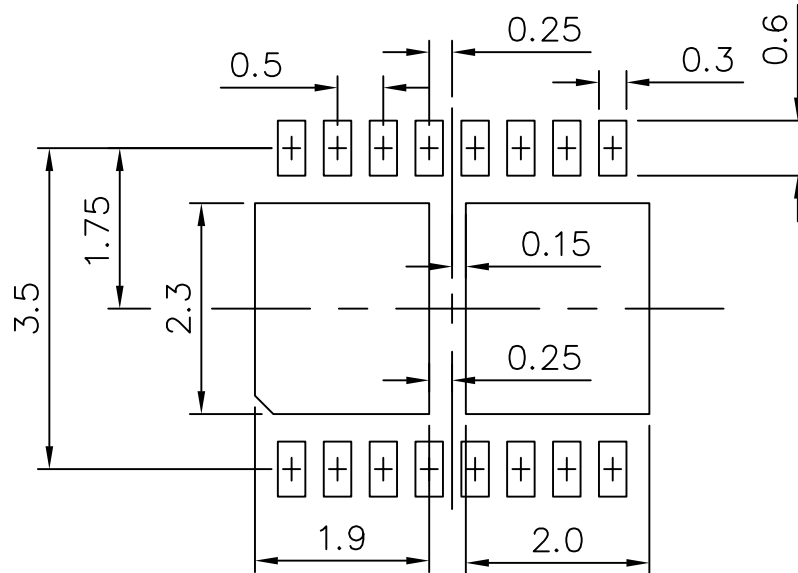


BOTTOM VIEW



DFN5x4_16L_EP2_S PACKAGE OUTLINE

RECOMMENDED LAND PATTERN



UNIT: mm

SYMBOL	DIMENSIONS IN MILLIMETERS			DIMENSIONS IN INCHES		
	MIN.	NOM.	MAX.	MIN.	NOM.	MAX.
A	0.80	0.90	1.00	0.031	0.035	0.039
A1	0.00	0.02	0.05	0.000	0.001	0.002
A3	0.20 REF			0.008 REF		
b	0.17	0.25	0.35	0.007	0.010	0.014
D	5.00 BSC			0.197 BSC		
D2	1.75	1.90	2.0	0.069	0.075	0.079
D3	1.85	2.00	2.10	0.073	0.079	0.083
E	4.00 BSC			0.157 BSC		
E2	2.15	2.30	2.40	0.085	0.091	0.094
⊖	0.50 BSC			0.020 BSC		
L	0.40	0.50	0.60	0.016	0.020	0.024
R	0.30 REF			0.012 REF		
aaa	0.15			0.006		
bbb	0.10			0.004		
ccc	0.10			0.004		
ddd	0.08			0.003		

Note:

1. All dimensions are in millimeters.
2. The location of the terminal #1 identifier and terminal numbering convention conforms to JEDEC publication 95 SPP-002.
3. Dimension b applies to metallized terminal and is measured between 0.15mm and 0.30mm from the terminal tip. If the terminal has the optional radius on the other end of the terminal, the dimension b should not be measured in that radius area.
4. Coplanarity applies to the terminals and all other bottom surface metallization.
5. Drawing shown are for illustration only.