

PRODUCT NUMBER

73398-YXXXLF

RoHS COMPATIBLE, NOTE 6.
PACKAGING OPTIONS, NOTE 3.

PLATING

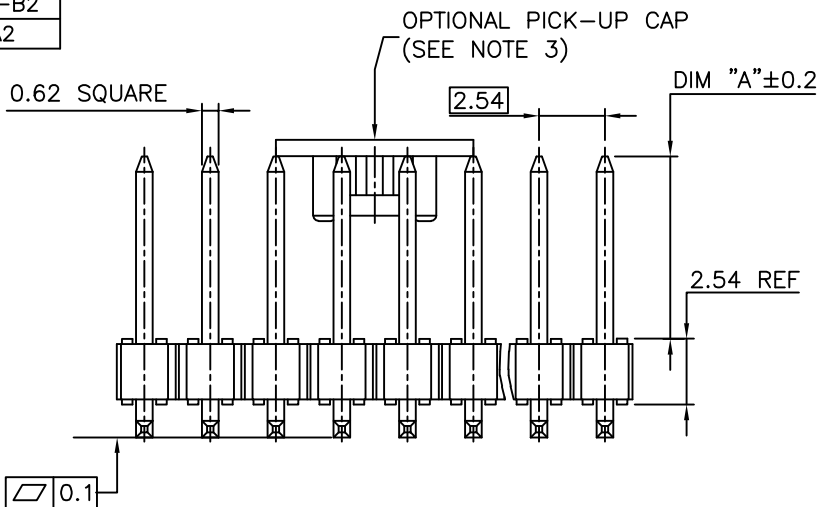
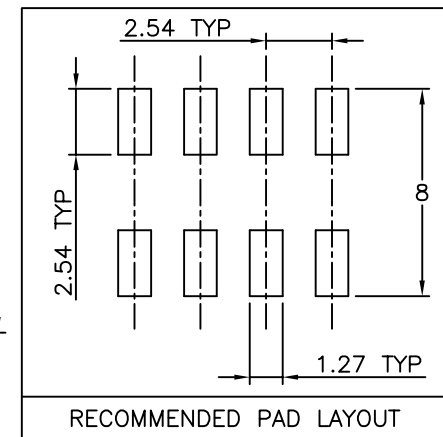
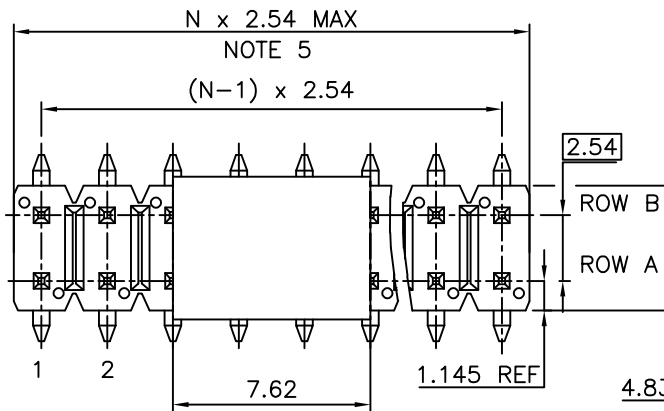
- 1= 0.76µm GOLD/GXT ON CONTACT AREA, 2µm TIN MIN ON TAILS
- 4= 2.0µm TIN MIN FULL PLATED
- 5= 0.25µm GOLD/GXT ON CONTACT AREA, 2µm TIN MIN ON TAILS
- 8= 0.38µm GOLD/GXT ON CONTACT AREA, 2µm TIN MIN ON TAILS

1.27µm NICKEL MIN UNDERLAYER FOR ALL PLATING VERSIONS

STYLE	SIZE	DIM "A"	OMIT PINS
01	2x05	5.84	A5
02	2x03	5.84	B2
03	2x04	5.84	B1
04	2x11	8.38	A6
05	2x20	8.38	B10
06	2x05	8.38	A5
07	2x08	5.84	B7
08	2x04	5.84	B4
09	2x20	5.84	A11
10	2x07	5.84	A4-B7
11	2x13	5.84	A3-B1
12	2x12	5.84	A2
13	2x05	5.84	B5
14	2x05	5.84	B4
15	2x03	5.84	A2-B2
16	2x03	16.40	A2

NOTES:

1. HOUSING MAT'L : HIGH TEMPERATURE THERMOPLASTIC. UL94V-0 COLOR: BLACK
2. PIN MATERIAL : PHOSPHOR BRONZE
- 3 - PACKAGING OPTIONS:
= POLY BAGS
B = TUBE + CAP
A = TAPE & REEL WITH CAP, AS AVAILABLE
4. 9N MIN RETENTION IN EITHER DIRECTION
5. TO DETERMINE DIMENSIONS :
N = NUMBER OF POSITIONS PER ROW
EXAMPLE : 8 POS N x 2.54 = 20.32mm
6. RoHS COMPATIBLE PRODUCT SPECIFICATIONS
 - a - PLATING:
- "LF" MEANS THE PRODUCT IS LEAD-FREE, 2µm MINIMUM MATTE TIN OVER 1.27µm MINIMUM NICKEL UNDERPLATE.
 - b - MANUFACTURING PROCESS COMPATIBILITY
- THE HOUSING WILL WITHSTAND EXPOSURE TO 260°C PEAK TEMPERATURE FOR 30 SECONDES IN A CONVECTION, INFRA-RED OR VAPOR PHASE REFLOW OVEN.
 - c - LABELING:
- MEETS PACKAGING SPECS AS PER GS-14-920
 - d - LEGAL STATEMENT: SEE GS-47-0004



mat'l. code		surface		tolerance		projection		product family	
		ISO 1302		ISO 406 ISO 1101		mm		HEADER	
ltr		ecn no		date		angles		title	
R		B18983		LMU 14.10.03		linear		HEADER DR,	
S		B-20597		AMA 15.03.30		x.xx ±0.3		DUPLX SMT POLARIZED	
T		F-23055		AMA 16.01.15		x.xxx ±0.13		scale 5:1	
U		F-26753		DDE 17.04.20		L.MULIN 99.04.12		dwg no	
						engr J COMPAGNON 99.04.12		sheet 1 of 1	
N		F11-0097		JCO 11.09.01		chr		73398	
P		F11-0328		LMU 11.11.15		appd JMC		99.04.12	
sheet index		revision sheet						type CUSTOMER Drawing	