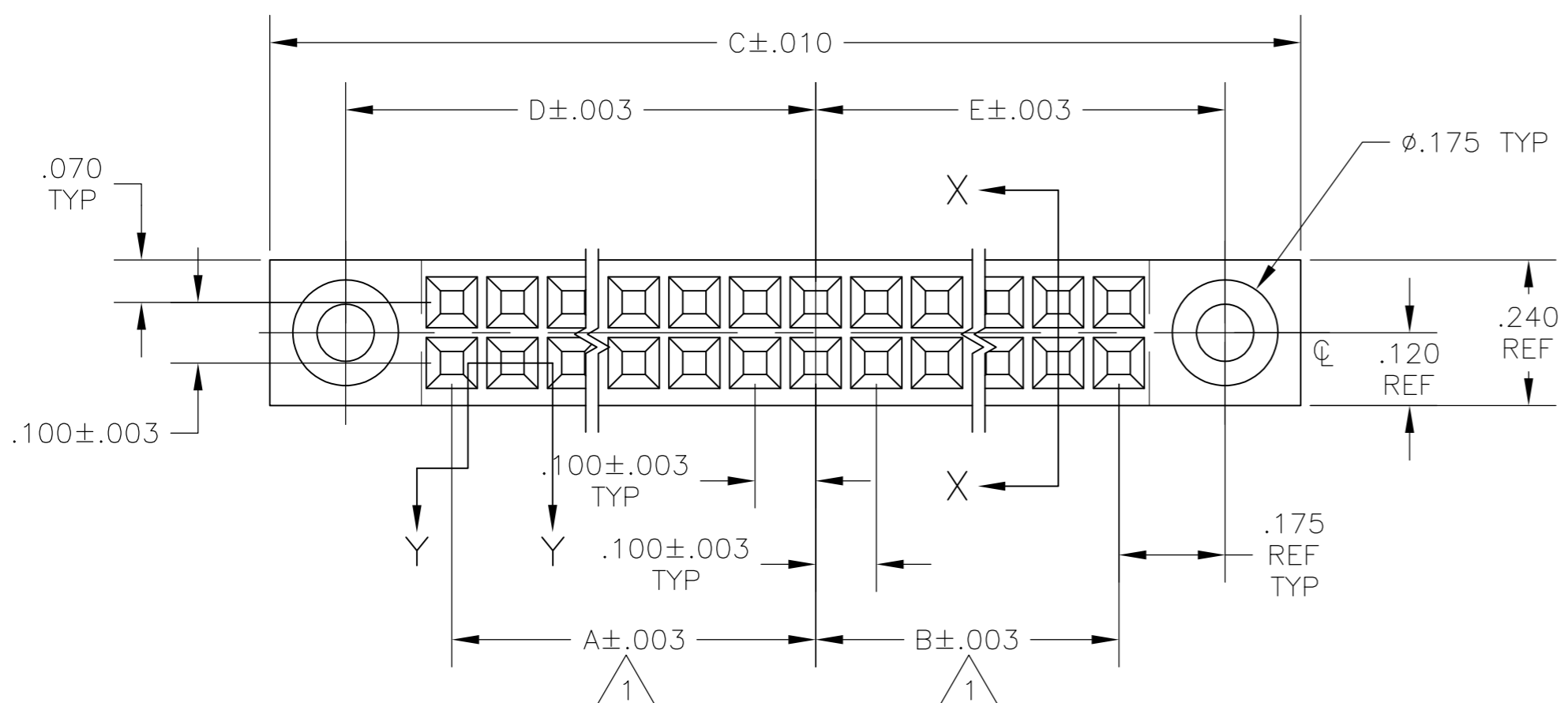
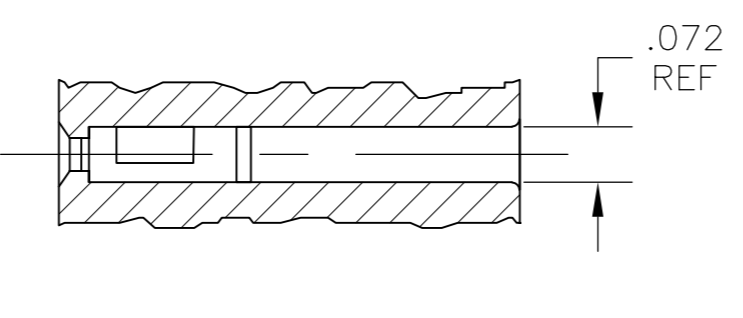
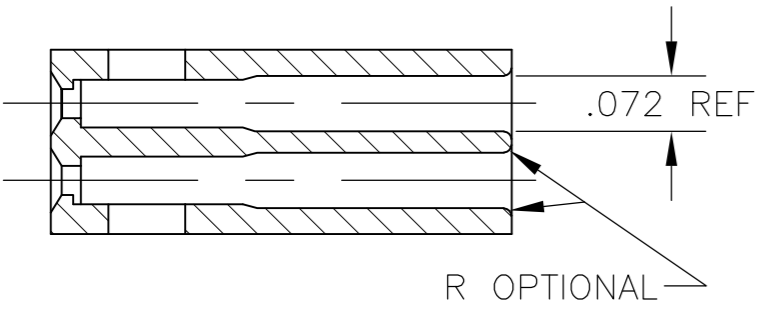
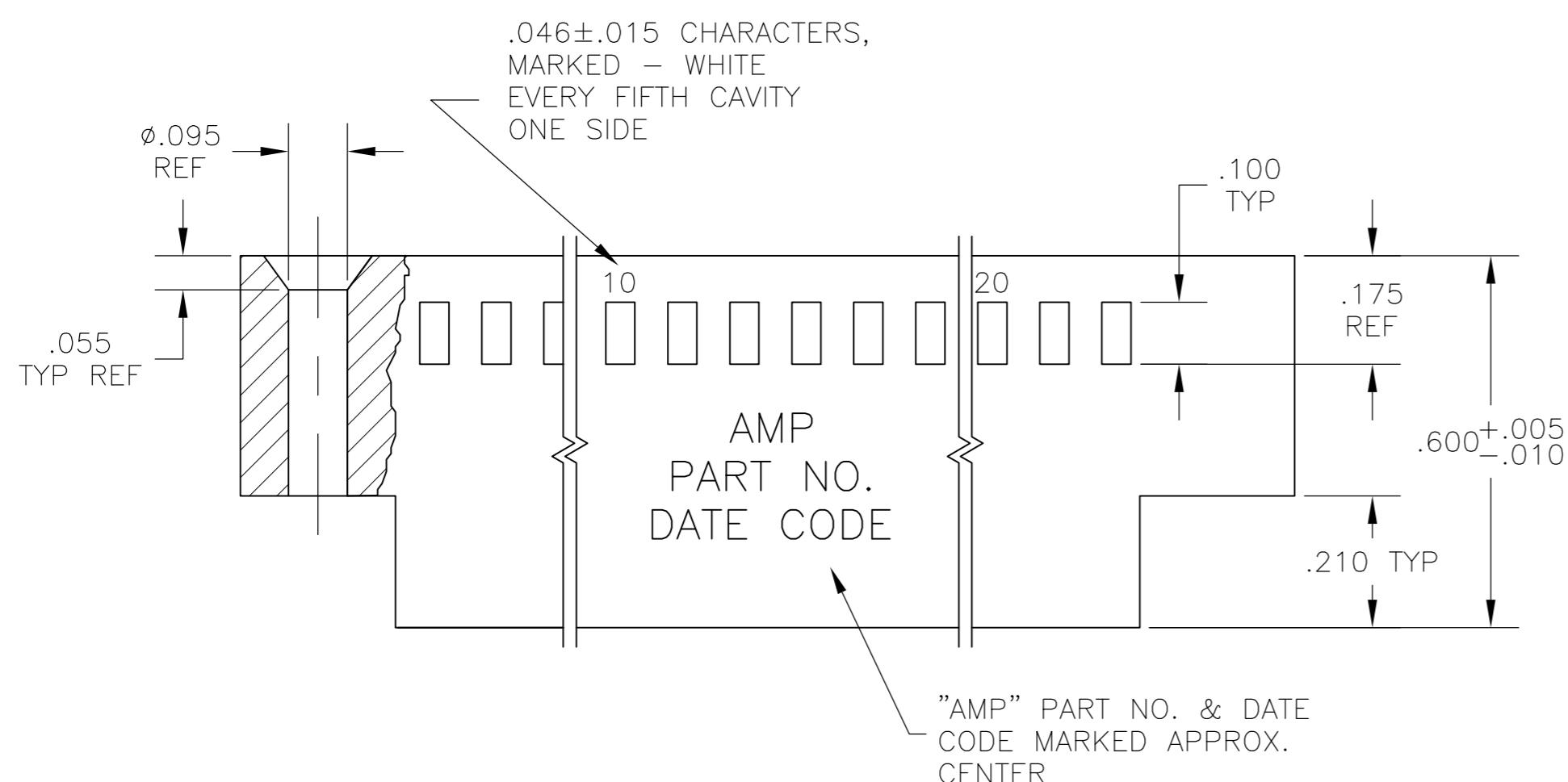


THIS DRAWING IS UNPUBLISHED. RELEASED FOR PUBLICATION
 © COPYRIGHT BY TYCO ELECTRONICS CORPORATION. ALL RIGHTS RESERVED.

LOC	DIST	REVISIONS			
P	LTR	DESCRIPTION	DATE	DWN	APVD
AD	00	V1 REVISED PER ECO-09-020932	25SEP09	KK	AEQ



- 1 CAVITY LOCATION DIMENSIONS INCREASE IN INCREMENTS OF .100 TOLERANCE NONCUMULATIVE.
- 2 USE EXTRACTION TOOL NO. 91052-1 TO REMOVE RECP. CONTACTS.
- 3 OBSOLETE PART NUMBER.
- 4 SUPERSEDED BY 87483-9.
- 5 SUPERSEDED BY 1-87483-5.
- 6 OBSOLETE PARTS: OBSOLETE CIS STREAMLINING PER D.RENAUD/D.SINISI



3	5-87483-4	1.675	1.775	3.700	1.500	1.600	64	3	5-87483-3
3	5-87483-2	1.575	1.575	3.400	1.400	1.400	58	3	5-87483-1
3	5-87483-0	1.475	1.575	3.300	1.300	1.400	56	3	4-87483-9
3	4-87483-8	1.375	1.375	3.000	1.200	1.200	50	3	4-87483-7
3	4-87483-6	1.275	1.375	2.900	1.100	1.200	48	3	4-87483-5
3	4-87483-4	1.275	1.275	2.800	1.100	1.100	46	3	4-87483-3
3	4-87483-2	1.175	1.175	2.600	1.000	1.000	42	3	4-87483-1
3	4-87483-0	1.075	1.075	2.400	.900	.900	38	3	3-87483-9
3	3-87483-8	.975	1.075	2.300	.800	.900	36	3	3-87483-7
3	3-87483-6	.975	.975	2.200	.800	.800	34	3	3-87483-5
3	3-87483-4	.875	.875	2.000	.700	.700	30	3	3-87483-3
3	3-87483-2	.775	.875	1.900	.600	.700	28	3	3-87483-1
3	3-87483-0	.675	.775	1.700	.500	.600	24	3	2-87483-9
3	2-87483-8	.675	.675	1.600	.500	.500	22	3	2-87483-7
3	2-87483-6	.575	.575	1.400	.400	.400	18	3	2-87483-5
3	2-87483-4	.475	.475	1.200	.300	.300	14	6	2-87483-3
3	2-87483-2	.375	.475	1.100	.200	.300	12	3	2-87483-1
3	2-87483-0	.375	.375	1.000	.200	.200	10	3	1-87483-9
3	1-87483-8	.275	.375	.900	.100	.200	8	3	1-87483-7
5	1-87483-6	.275	.275	.800	.100	.100	6		1-87483-5
3	1-87483-4	1.375	1.475	3.100	1.200	1.300	52	3	1-87483-3
3	1-87483-2	1.175	1.275	2.700	1.000	1.100	44	3	1-87483-1
4	1-87483-0	1.075	1.175	2.500	.900	1.000	40		87483-9
3	87483-8	.875	.975	2.100	.700	.800	32	3	87483-7
3	87483-6	.775	.775	1.800	.600	.600	26	3	87483-5
3	87483-4	.575	.675	1.500	.400	.500	20		87483-3
3	87483-2	.475	.575	1.300	.300	.400	16	3	87483-1
MARKED PART NUMBER	E	D	C	B	A	NO. OF POSN	UMMARKED PART NUMBER		

THIS DRAWING IS A CONTROLLED DOCUMENT. DWN R. SCHLAG 12-27-89
 CHK P. SREMCICH 10-5-93
 APVD P. SREMCICH 10-5-93
 Tyco Electronics Corporation Harrisburg, PA 17105-3608
 NAME: CONNECTOR, CRIMP SNAP-IN, MOD IV, DOUBLE ROW, .100 C/L, SHORT ENTRY
 MATERIAL: GLASS FILLED NYLON, COLOR-BLACK, PER ASTM D4066
 FINISH: -
 WEIGHT: -
 SCALE: 4:1
 SHEET: 1 of 1
 REV: V1