

**ebm-papst St. Georgen GmbH & Co. KG**

Hermann-Papst-Str. 1
 D-78112 St. Georgen
 Phone +49 (0) 7724 81-0
 Fax +49 (0) 7724 81-1309
 info2@de.ebmpapst.com
 www.ebmpapst.com

Nominal data

| Type | 6312 /2 TDHP | |
|--------------------------|-------------------|---------|
| Nominal voltage | VDC | 12 |
| Nominal voltage range | VDC | 8 .. 16 |
| Speed | min ⁻¹ | 5500 |
| Power input | W | 40 |
| Min. ambient temperature | °C | -20 |
| Max. ambient temperature | °C | 70 |
| Air flow | m ³ /h | 600 |
| Sound power level | B | 7.3 |
| Sound pressure level | dB(A) | 60 |

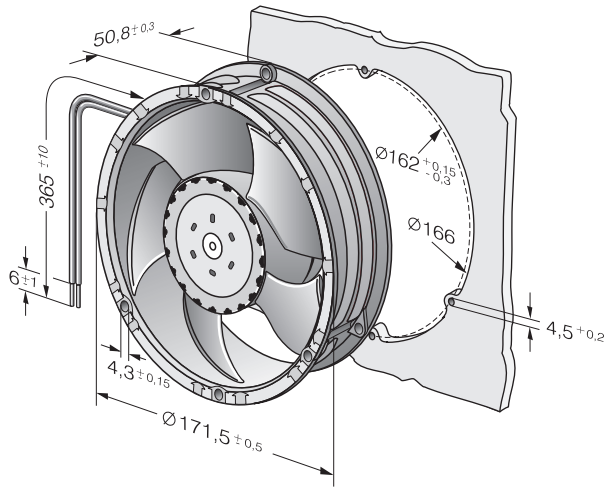
ml = Max. load · me = Max. efficiency · fa = Running at free air · cs = Customer specs · cu = Customer unit
 Subject to alterations



Technical features

| | |
|--|--|
| General description | Input power at free air flow, these values can be significantly higher in the operating point. |
| Impeller material | Fibreglass-reinforced plastic (PA) |
| Mass | 0.910 kg |
| Dimensions | 172 Ø x 51 mm |
| Housing material | Die-cast aluminium |
| Direction of air flow | Air exhaust over bars |
| Direction of rotation | Counterclockwise, looking at rotor |
| Bearing | Ball bearings |
| Lifetime L10 at 40 °C | 75000 h |
| Lifetime L10 at maximum temperature | 37500 h |
| Connection line | Via single strands AWG 18, 20 or AWG 22, TR 64, speed signal and control input AWG 22 |
| Motor protection | Protected against reverse polarity and locking. |

Product drawing



Charts

